



**ANATECH ELECTRONICS INC**  
RF & Microwave Filters & Products

# 1390 MHz Ceramic Bandpass Filter

Part Number: AM1390B1312



## Electrical specifications

**Center Frequency:** 1390 MHz  
**Bandwidth:** 50 MHz min  
**VSWR:** 1.5:1  
**Input / Output Impedance:** 50 Ohms  
**Passband:** 1365-1415 MHz  
**Passband Insertion Loss:** 3.0 dB max  
**Passband Ripple:** 0.4 dB max  
**Rejection:** 45 dB min at DC-1200 MHz  
**Rejection 2:** 30 dB min at 1700 MHz  
**Power Handling:** 1 W

## Mechanical

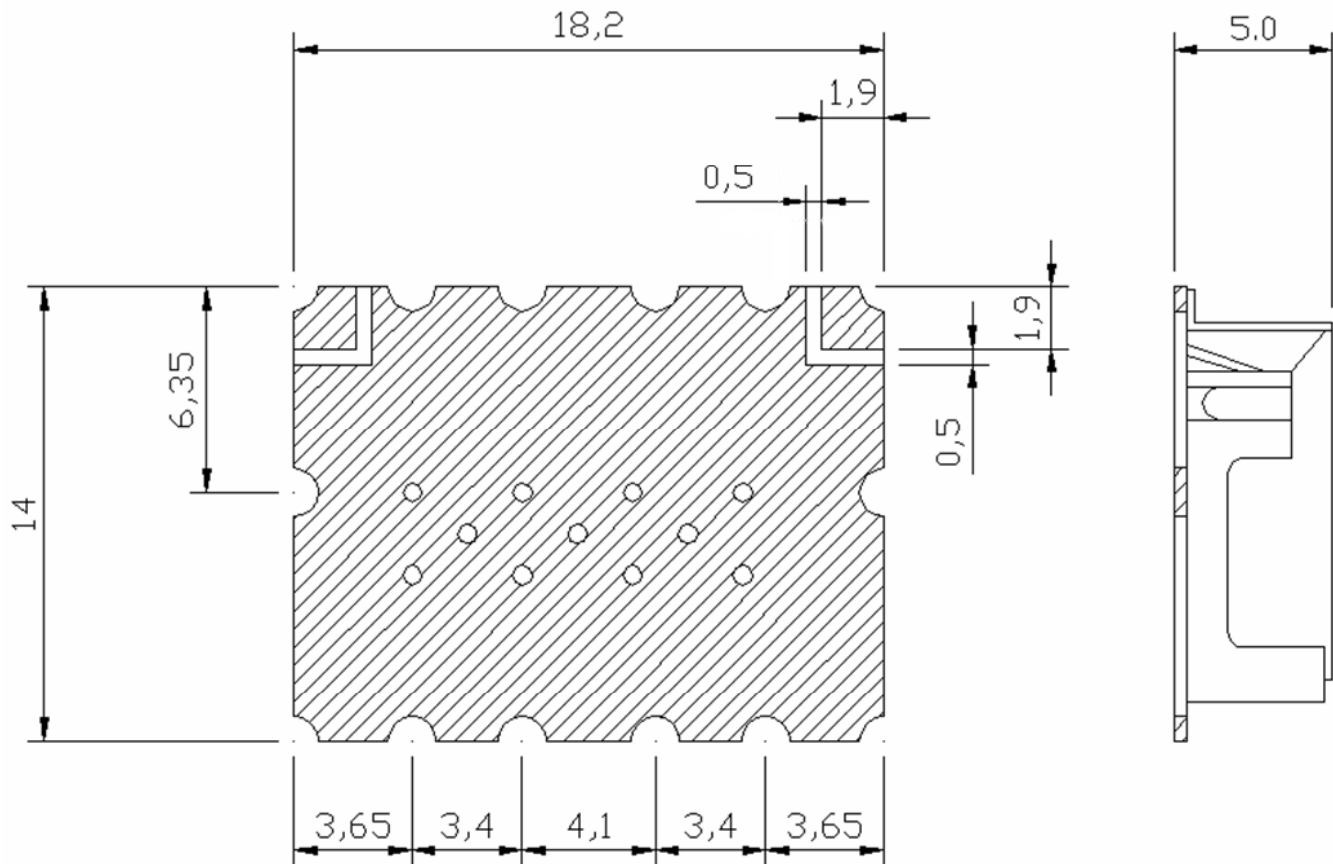
**Mounting Method:** SMT  
**Dimensions:** 18.2 x 14 x 5 mm

## Environmental

**Operating Temperature:** -30°C to 85°C  
**Storage Temperature:** -50°C to +90°C

This product is RoHs compliant.

## Outline Drawing:



Unit : mm

Tolerance :  $\pm 0.3$