



Electrical specifications

Center Frequency: 1227 MHz
Bandwidth: +/- 15 MHz
Input / Output Impedance: 50 Ohms
Passband: 1219.5-1234.5 MHz
Passband Insertion Loss: 0.95 dB
Passband Ripple: 0.15 dB
Passband Return Loss: 15.0 dB
Rejection: Fo - 140 MHz 30.9 dB
Rejection 2: Fo + 140 MHz 22.7 dB
Power Handling: 1 W

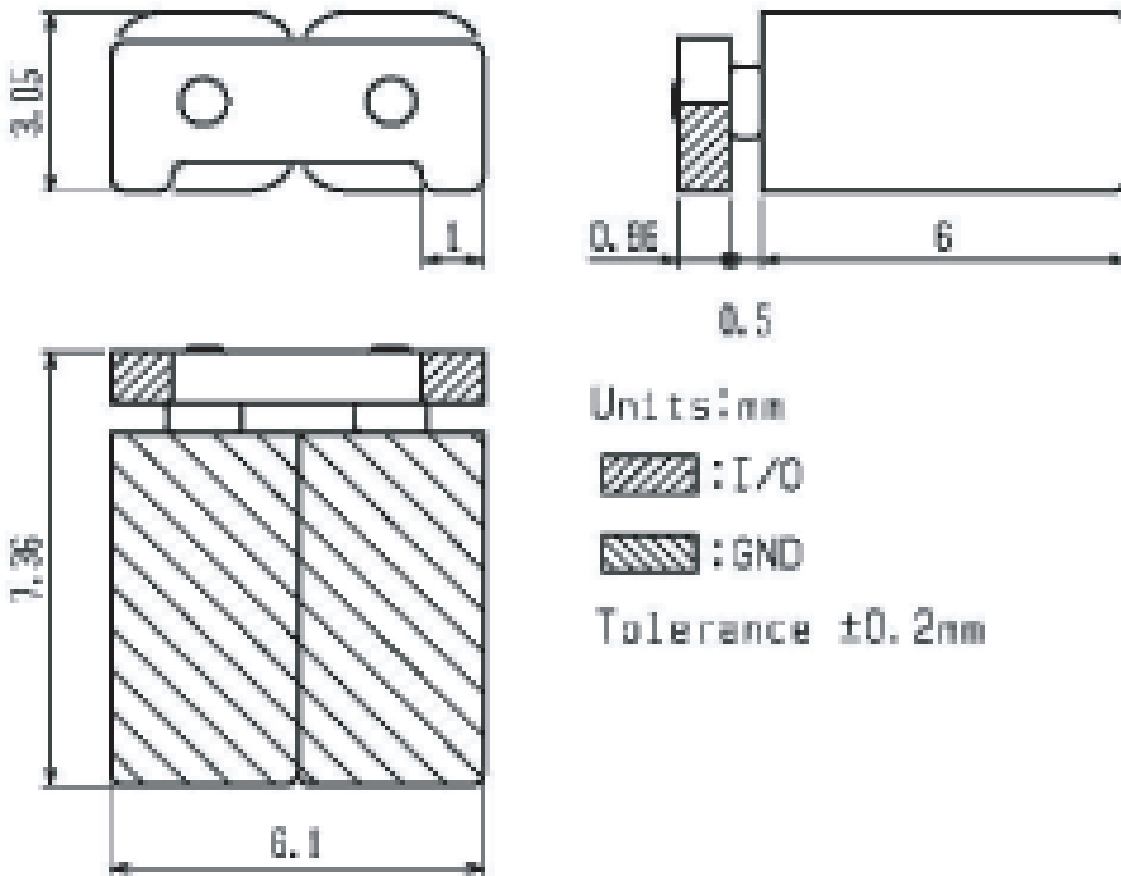
Mechanical

Mounting Method: SMT
Dimensions: 9.36 x 8.1 x 6 mm

Environmental

Operating Temperature: -30°C to +70°C
Storage Temperature: -50°C to +90°C

Outline Drawing:



Outside dimensions