



ANATECH ELECTRONICS INC
RF & Microwave Filters & Products

825 MHz Ceramic Bandpass Filter

Part Number: AM825B1370



Electrical specifications

Center Frequency: 825 MHz
Bandwidth: $F_0 \pm 35$ MHz typ.
VSWR: 1.7 : 1 dB max
Input / Output Impedance: 50 Ohms
Passband: 807.5-842.5 MHz
Passband Insertion Loss: 4.0 dB max
Passband Ripple: 1.0 dB max
Rejection: 40dB min at DC-750 MHz
Rejection 2: 35dB min at 900-2000 MHz
Power Handling: 30 dBm

Mechanical

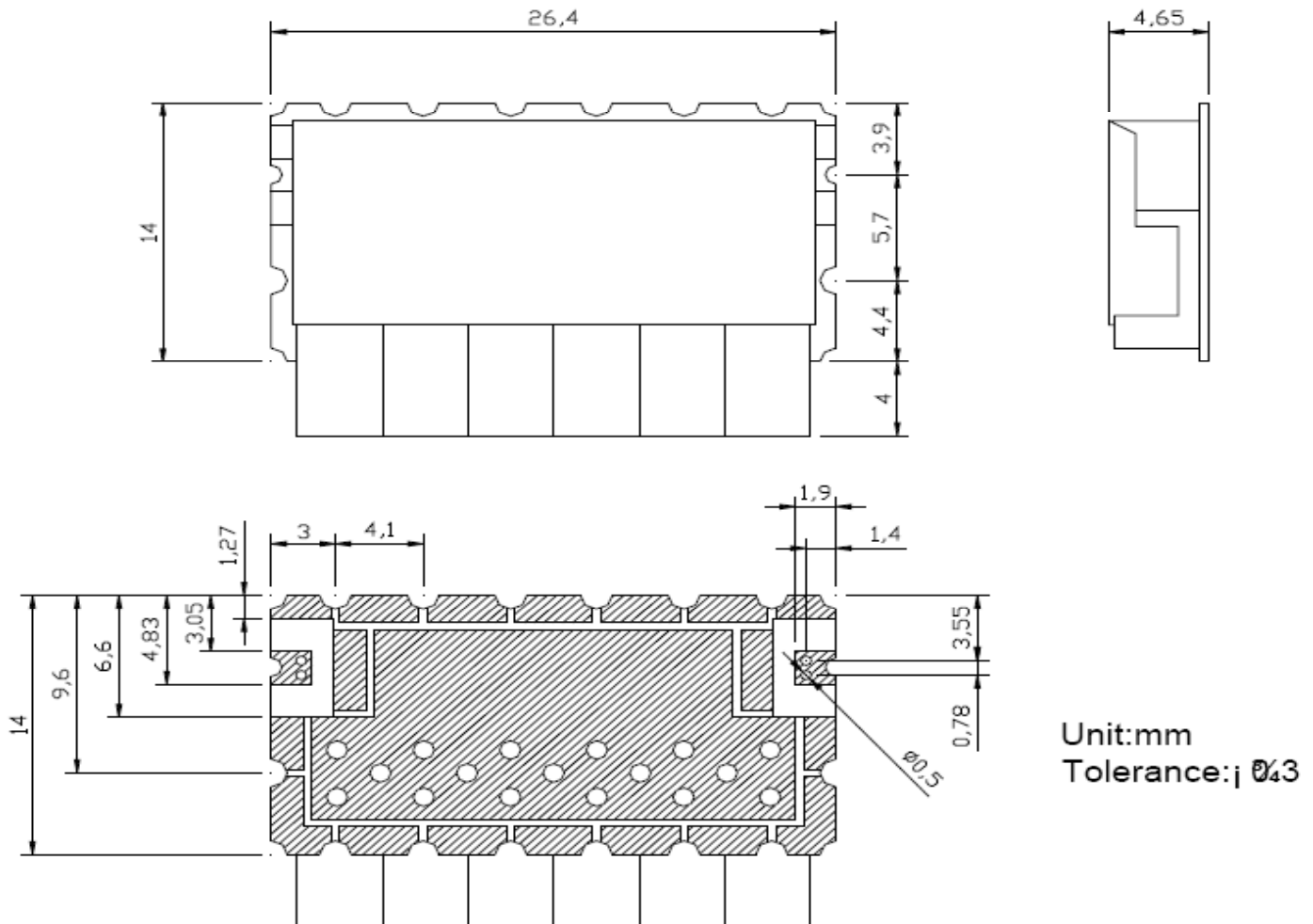
Mounting Method: SMT
Dimensions: 26.4 x 14 x 4.65 mm

Environmental

Operating Temperature: -20°C to 70°C
Storage Temperature: -50°C to +90°C

This product is RoHS compliant.

Outline Drawing:





Response Plot:

