



ANATECH ELECTRONICS INC
RF & Microwave Filters & Products

2450 MHz Ceramic Band Pass Filter

Part Number: AM2450B189



Electrical specifications

Center Frequency: 2450 MHz
Bandwidth: 100 MHz
VSWR: 2.0 max
Input / Output Impedance: 50 Ohms
Passband: 2400-2500 MHz
Passband Insertion Loss: 2 dB max
Passband Ripple: 1 dB max
Rejection: 40 dB at Fo - 500 MHz
Power Handling: 1 W

Mechanical

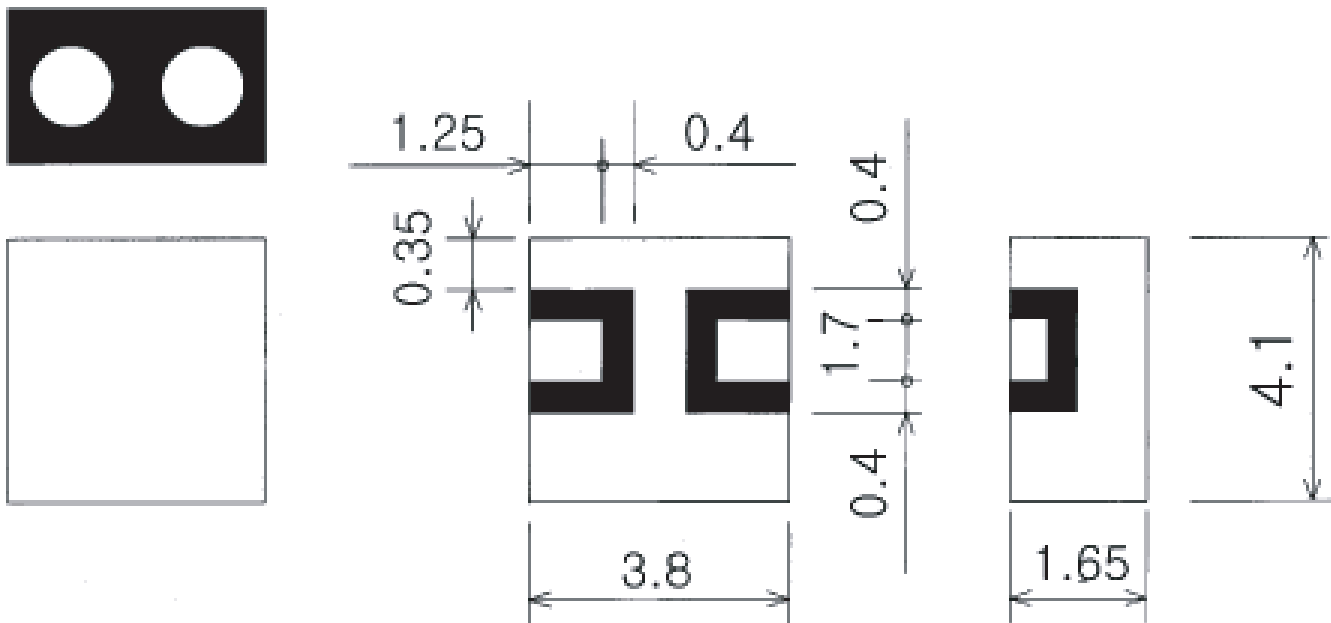
Mounting Method: SMT
Dimensions: 4.1 x 3.8 x 1.65 mm

Environmental

Operating Temperature: -40°C to 85°C
Storage Temperature: -50°C to +90°C

This product is RoHs compliant.

Outline Drawing:



UNIT : mm

TOLERANCE : + / - 0.2