



Electrical specifications

Center Frequency: 1601.5 MHz

Bandwidth: 17 MHz min

VSWR: 1.5:1

Input / Output Impedance: 50 Ohms

Passband: 1593-1610 MHz

Passband Insertion Loss: 4.8 dB max

Passband Ripple: 1.0 dB max

Rejection: 5 dB at 1588 MHz

Rejection 2: 15 dB at 1581 MHz

Rejection 3: 18 dB at 1623 MHz

Rejection 4: 40 dB at 1645 MHz

Power Handling: 1 W

Mechanical

Mounting Method: SMT

Dimensions: 18.2 x 14 x 5 mm

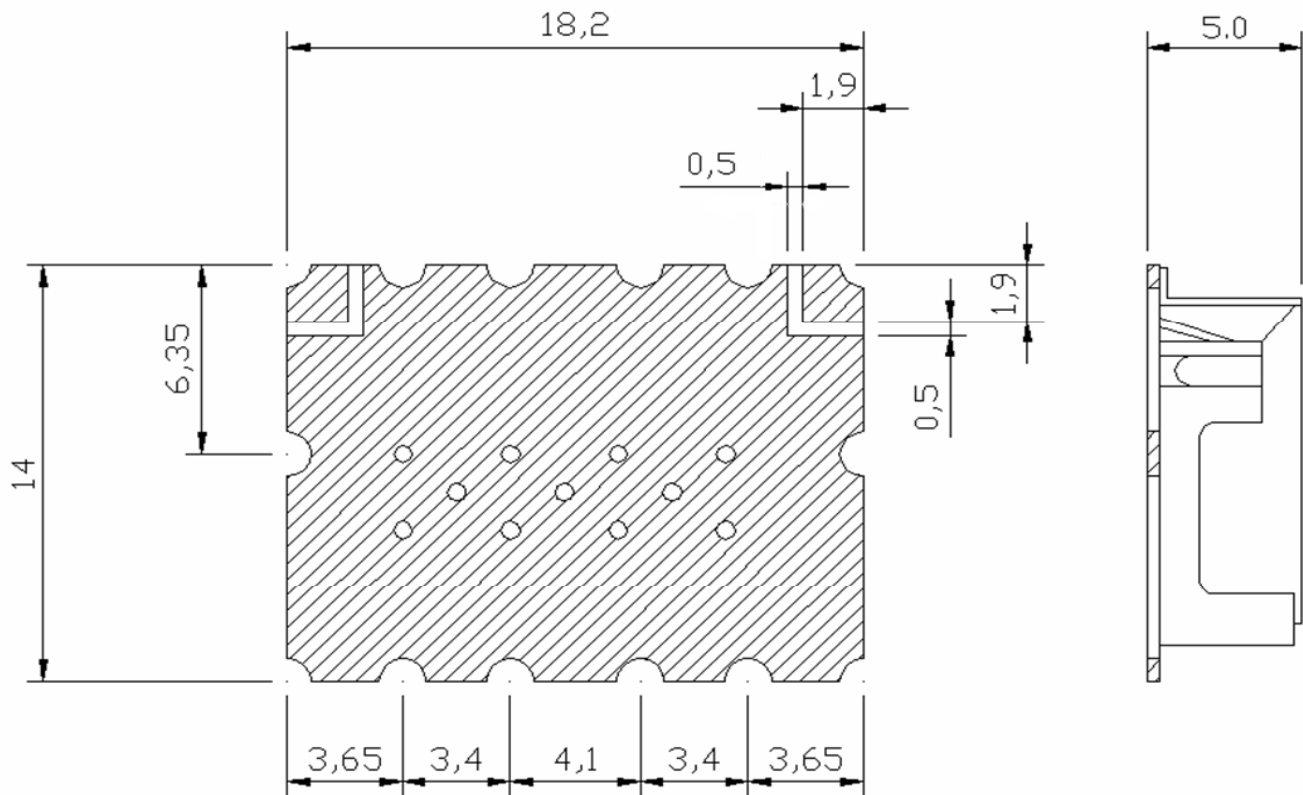
Environmental

Operating Temperature: -20°C to 85°C

Storage Temperature: -50°C to +90°C

This product is RoHS compliant.

Outline Drawing:



Unit : mm

Tolerance : ± 0.3