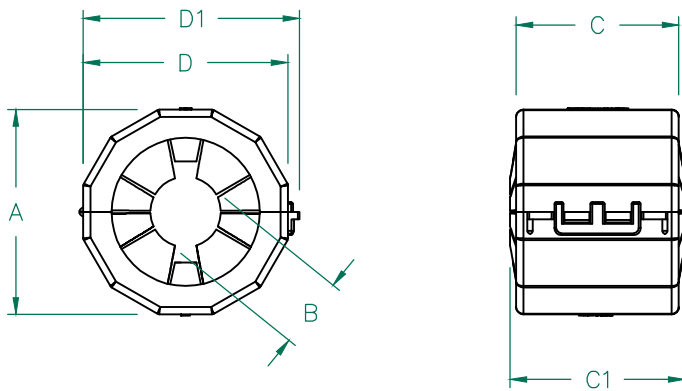


CORE DIMENSIONS:

| | | | |
|---|---------------|---|-------------|
| A | 71.80 [2.827] | ± | 0.80 [.031] |
| B | 39.00 [1.535] | ± | 0.80 [.031] |
| C | 46.00 [1.811] | ± | 0.80 [.031] |
| D | 35.90 [1.413] | ± | 0.40 [.016] |

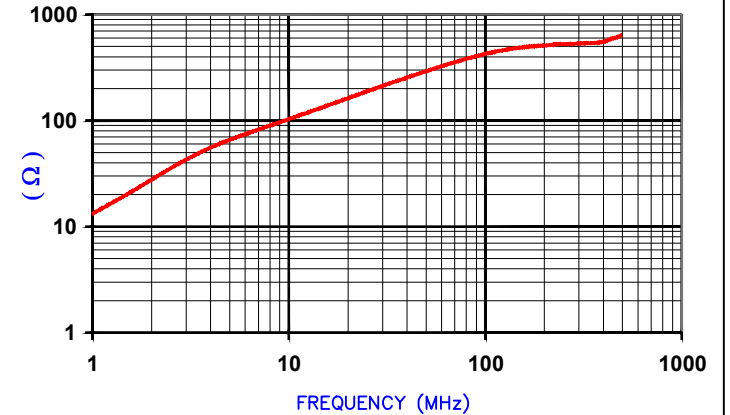


CASE DIMENSIONS:

| | | | |
|----|---------------|---|------|
| A | 77.14 [3.037] | ± | REF. |
| B | 30.00 [1.181] | ± | REF. |
| C | 51.33 [2.021] | ± | REF. |
| C1 | 54.67 [2.152] | ± | REF. |
| D | 77.14 [3.037] | ± | REF. |
| D1 | 80.33 [3.163] | ± | REF. |

| IMPEDANCE (Z) | | | |
|-----------------|--------|---------|---------|
| Frequency | 25 MHz | 100 MHz | 300 MHz |
| Nominal (REF) | 187 Ω | 425 Ω | 533 Ω |
| Minimum | - Ω | 340 Ω | - Ω |

Z vs. FREQUENCY
(REF. ONLY)



AGILENT E4991A Impedance/Material Analyzer
HP 16092A-Test Fixture. TEST REF. 5108

NOTES: UNLESS OTHERWISE SPECIFIED

1. CASE MATERIAL: Technyl B 50H1

| DIMENSIONS ARE IN mm [INCHES]. | | | | This print is the property of Laird Tech. and is loaned in confidence subject to return upon request and with the understanding that no copies shall be made without the written consent of Laird Tech. All rights to design or invention are reserved. | | | | |
|--------------------------------|----------------|----------|-----|---|---------------|--------|-----------------|----------------------|
| REV | DESCRIPTION | DATE | INT | | | | | PROJECT/PART NUMBER: |
| | | | | | 28A2827-0A2 | A | FERRITE SNAP-ON | QIU |
| | | | | DATE: | 03/04/13 | SCALE: | N.T.S. | MATERIAL: |
| A | ORIGINAL DRAFT | 03/04/13 | QIU | CAD # | 28A2827-0A2-A | TOOL # | - | Ferrite |