

28S2001-1M0

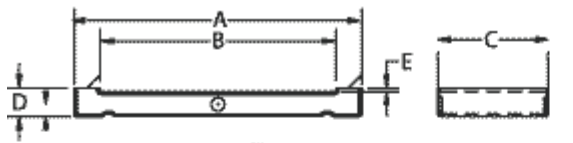


Figure #1

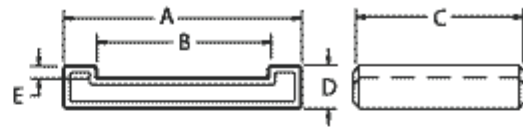


Figure #2



Figure #3

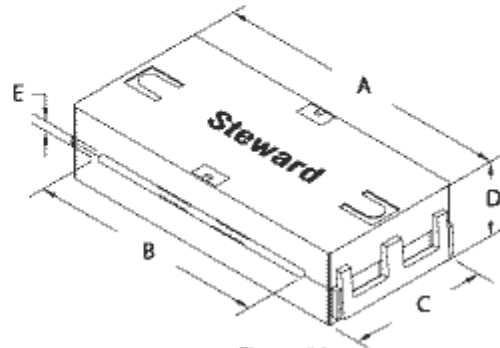


Figure #4
Split ferrite core assembly with hinged black plastic case

Drawing Figure

Figure Number
1

Electrical Characteristics

Z @ 25 MHz	Z @ 100 MHz	Z @ 300 MHz
50	150	340

Physical Dimensions

A in	A mm	B in	B mm	C in	C mm	D in	D mm	E in	E mm
2.500	63.50	2.050	52.07	0.511	12.98	0.250	6.35	0.033	0.84

