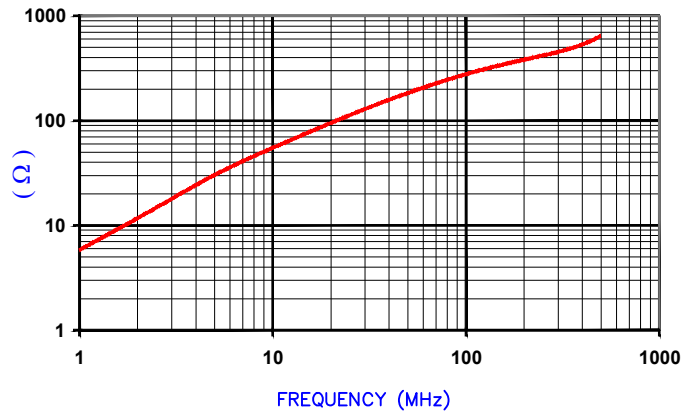


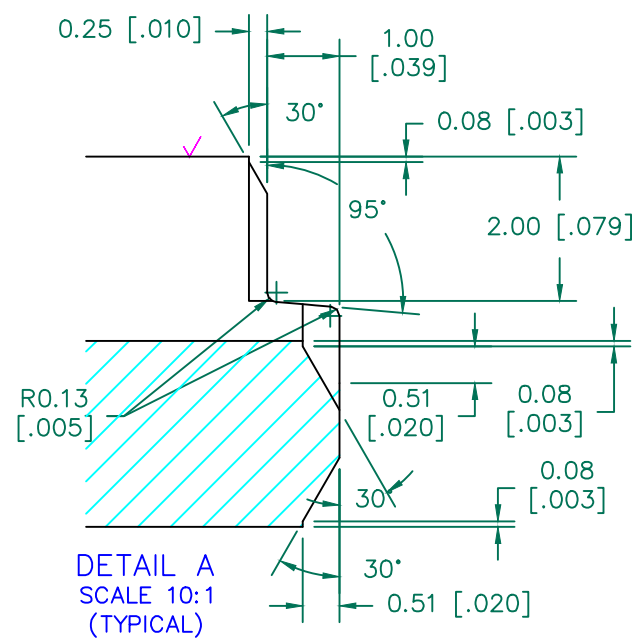
SECTION A-A

IMPEDANCE (Z) SEE NOTES:3			
Frequency	25 MHz	100 MHz	300 MHz
Nominal (REF)	111 Ω	277 Ω	449 Ω
Minimum	- Ω	222 Ω	- Ω

Z vs. FREQUENCY (REF. ONLY)



AGILENT E4991A Impedance/Material Analyzer
HP 16092A-Test Fixture. TEST REF. 4360



DETAIL A
SCALE 10:1
(TYPICAL)

NOTES: UNLESS OTHERWISE SPECIFIED

- FOR VISUAL REQUIREMENTS REFERENCE CNZ-QAS6402.
- IMPEDANCE IS TO BE REPORTED AS GROSS IMPEDANCE. REFERENCE CQA-SOP1391.
- USE TWO PCS CORES COMPARED TOGETHER FOR IMPEDANCE TESTING.

FERRITE CORE DIMENSIONS (SPEC): mm [in]

A	11.00 [.433]	+ 0.15 [.006]
B	5.10 [.201]	+ 0.07 [.003]
C	32.00 [1.260]	+ 0.48 [.019]
D	5.12 [.202]	+ 0.13 [.005]
E	2.55 [.100]	+ 0.25 [.010]
F	4.00 [.157]	+ TYP.

WEIGHT/1000 5.59 kgs [12.32 Lbs]

SCALE DRAWING 1:1

28A0434-000

CRITICAL

DIMENSIONS ARE IN mm [INCHES].				This print is the property of Laird Tech. and is loaned in confidence subject to return upon request and with the understanding that no copies shall be made without the written consent of Laird Tech. All rights to design or invention are reserved.				
REV	DESCRIPTION	DATE	INT					
K	CHANGE CHAMFER FROM 45° TO 30°	06/23/15	QIU	PROJECT/PART NUMBER:		REV	PART TYPE:	DRAWN BY:
J	ADD NOTES 3	02/21/13	QIU	28A0434-000		K	FERRITE CORE	TMB
H	UPDATE COMPANY LOGO	08/11/09	JRK	DATE:		SCALE:		MATERIAL:
G	UPDATE 100MHz MINIMUM VALUE	07/03/07	TMB	02/10/04		2:1		Ferrite
F	UPDATE COMPANY LOGO	04/17/07	TMB	CAD #		TOOL #		
E	ADD NOTES & COMBINE DETAILS A & B	04/20/06	TMB	28A0434-000-K		A0434		
D	ADD Z vs FREQUENCY CURVE & Z SPECS	10/12/04	TMB					
REV	DESCRIPTION	DATE	INT					