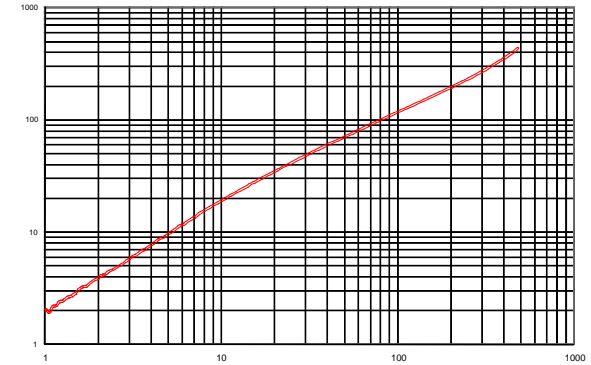


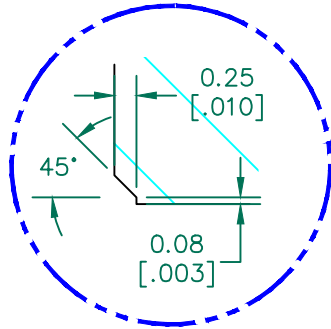
IMPEDANCE ( Z )			
Frequency	25 MHz	100 MHz	300 MHz
Nominal (REF)	42 Ω	117 Ω	265 Ω
Minimum	- Ω	94 Ω	- Ω

Z vs. FREQUENCY  
(REF. ONLY)



FREQUENCY (MHz)

AGILENT E4991A Impedance/Material Analyzer  
HP 16092A-Test Fixture

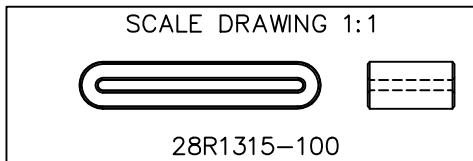


DETAIL "A"  
CHAMFER  
TYPICAL  
SCALE=14:1

FERRITE CORE DIMENSIONS (SPEC): mm [in]

A	33.40 [1.315]	± 0.90 [.035]
B	28.40 [1.118]	± 0.90 [.035]
C	12.00 [.472]	± 0.50 [.020]
D	6.50 [.256]	± 0.50 [.020]
E	1.40 [.055]	± 0.30 [.012]

WEIGHT/1000 9.95 kgs [21.93 Lbs]



DIMENSIONS ARE IN mm[INCHES].				This print is the property of Laird Tech. and is loaned in confidence subject to return upon request and with the understanding that no copies shall be made without the written consent of Laird Tech. All rights to design or invention are reserved.		Laird		
				PROJECT/PART NUMBER:		REV	PART TYPE:	DRAWN BY:
				28R1315-100		A	FERRITE RIBBON CORE	Jcai
				DATE:	02/20/13	SCALE:	3 : 1	MATERIAL:
				A	ORIGINAL DRAFT	02/20/13	Jcai	FERRITE
REV	DESCRIPTION	DATE	INT	CAD #	28R1315-100-A	TOOL #	R1315	