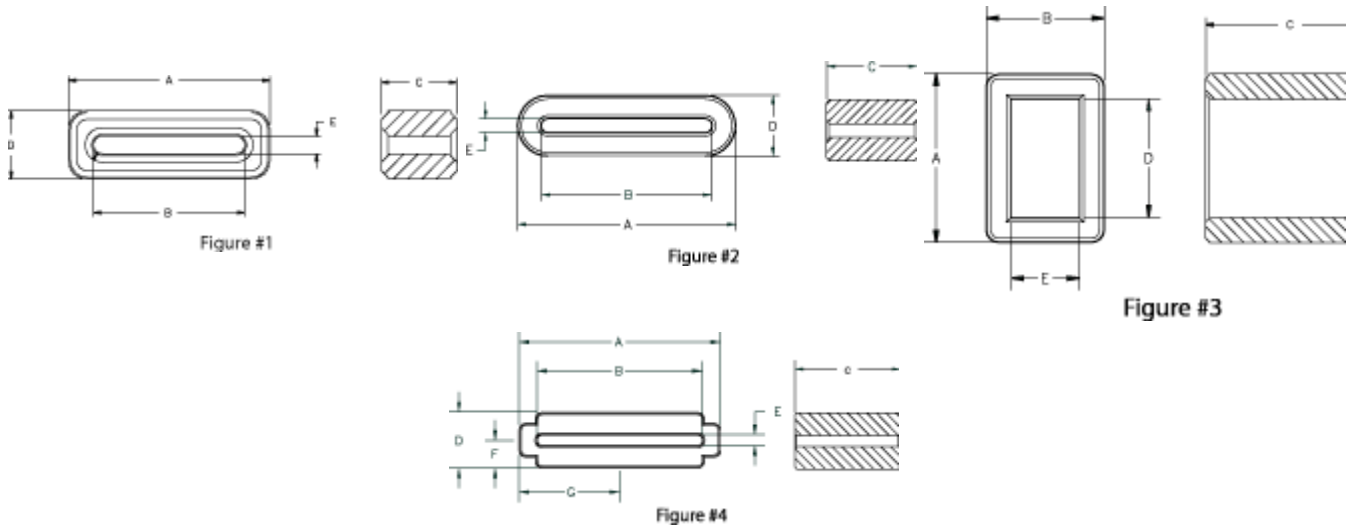


28R1861-000



Drawing Figure

| |
|---------------|
| Figure Number |
| 1 |

Electrical Characteristics

| | | |
|---------------|----------------|----------------|
| Z @ 25 MHz | Z @ 100 MHz | Z @ 300 MHz |
| 111 | 244 | 507 |

Physical Dimensions

| A in | A mm | B in | B mm | C in | C mm | D in | D mm | E in | E mm |
|---------|---------|---------|---------|---------|---------|---------|---------|---------|---------|
| 1.878 | 47.70 | 1.417 | 36.00 | 1.063 | 27.00 | 0.600 | 15.24 | 0.108 | 2.74 |

