

## DM74LS245 3-STATE Octal Bus Transceiver

### General Description

These octal bus transceivers are designed for asynchronous two-way communication between data buses. The control function implementation minimizes external timing requirements.

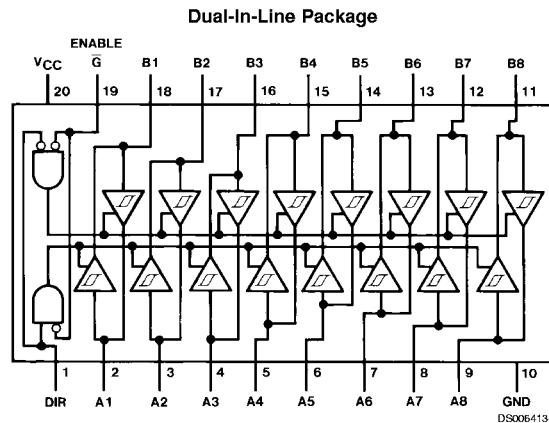
The device allows data transmission from the A bus to the B bus or from the B bus to the A bus depending upon the logic level at the direction control (DIR) input. The enable input ( $\bar{G}$ ) can be used to disable the device so that the buses are effectively isolated.

### Features

- Bi-Directional bus transceiver in a high-density 20-pin package

- 3-STATE outputs drive bus lines directly
- PNP inputs reduce DC loading on bus lines
- Hysteresis at bus inputs improve noise margins
- Typical propagation delay times, port-to-port 8 ns
- Typical enable/disable times 17 ns
- $I_{OL}$  (sink current)
  - 54LS 12 mA
  - 74LS 24 mA
- $I_{OH}$  (source current)
  - 54LS -12 mA
  - 74LS -15 mA
- Alternate Military/Aerospace device (54LS245) is available. Contact a Fairchild Semiconductor Sales Office/Distributor for specifications.

### Connection Diagram



Order Number 54LS245DMQB, 54LS245FMQB, 54LS245LMQB, DM54LS245J, DM54LS245W, DM74LS245WM or DM74LS245N  
See Package Number E20A, J20A, M20B, N20A or W20A

### Function Table

Enable $\bar{G}$	Direction Control DIR	Operation
L	L	B data to A bus
L	H	A data to B bus
H	X	Isolation

H = High Level, L = Low Level, X = Irrelevant

## Absolute Maximum Ratings (Note 1)

Supply Voltage	7V	Operating Free Air Temperature Range	DM54LS and 54LS	-55°C to +125°C
Input Voltage			DM74LS	0°C to +70°C
DIR or $\overline{G}$	7V	Storage Temperature Range		-65°C to +150°C
A or B	5.5V			

## Recommended Operating Conditions

Symbol	Parameter	DM54LS245			DM74LS245			Units
		Min	Nom	Max	Min	Nom	Max	
V <sub>CC</sub>	Supply Voltage	4.5	5	5.5	4.75	5	5.25	V
V <sub>IH</sub>	High Level Input Voltage	2			2			V
V <sub>IL</sub>	Low Level Input Voltage			0.7			0.8	V
I <sub>OH</sub>	High Level Output Current			-12			-15	mA
I <sub>OL</sub>	Low Level Output Current			12			24	mA
T <sub>A</sub>	Free Air Operating Temperature	-55		125	0		70	°C

**Note 1:** The "Absolute Maximum Ratings" are those values beyond which the safety of the device cannot be guaranteed. The device should not be operated at these limits. The parametric values defined in the "Electrical Characteristics" table are not guaranteed at the absolute maximum ratings. The "Recommended Operating Conditions" table will define the conditions for actual device operation.

## Electrical Characteristics

over recommended operating free air temperature range (unless otherwise noted)

Symbol	Parameter	Conditions	Min	Typ (Note 2)	Max	Units	
V <sub>I</sub>	Input Clamp Voltage	V <sub>CC</sub> = Min, I <sub>I</sub> = -18 mA			-1.5	V	
HYS	Hysteresis (V <sub>T+</sub> - V <sub>T-</sub> )	V <sub>CC</sub> = Min	0.2	0.4		V	
V <sub>OH</sub>	High Level Output Voltage	V <sub>CC</sub> = Min, V <sub>IH</sub> = Min V <sub>IL</sub> = Max, I <sub>OH</sub> = -1 mA	DM74	2.7		V	
		V <sub>CC</sub> = Min, V <sub>IL</sub> = Min V <sub>IL</sub> = Max, I <sub>OH</sub> = -3 mA	DM54/DM74	2.4	3.4		
		V <sub>CC</sub> = Min, V <sub>IH</sub> = Min V <sub>IL</sub> = 0.5V, I <sub>OH</sub> = Max	DM54/DM74	2			
V <sub>OL</sub>	Low Level Output Voltage	V <sub>CC</sub> = Min I <sub>OL</sub> = 12 mA	DM74		0.4	V	
		V <sub>IL</sub> = Max I <sub>OL</sub> = Max	DM54		0.4		
		V <sub>IH</sub> = Min	DM74		0.5		
I <sub>OZH</sub>	Off-State Output Current, High Level Voltage Applied	V <sub>CC</sub> = Max V <sub>IL</sub> = Max	V <sub>O</sub> = 2.7V		20	μA	
I <sub>OZL</sub>	Off-State Output Current, Low Level Voltage Applied	V <sub>IH</sub> = Min	V <sub>O</sub> = 0.4V		-200	μA	
I <sub>I</sub>	Input Current at Maximum Input Voltage	V <sub>CC</sub> = Max	A or B	V <sub>I</sub> = 5.5V	0.1	mA	
			DIR or $\overline{G}$	V <sub>I</sub> = 7V	0.1		
I <sub>IH</sub>	High Level Input Current	V <sub>CC</sub> = Max, V <sub>I</sub> = 2.7V			20	μA	
I <sub>IL</sub>	Low Level Input Current	V <sub>CC</sub> = Max, V <sub>I</sub> = 0.4V			-0.2	mA	
I <sub>OS</sub>	Short Circuit Output Current	V <sub>CC</sub> = Max (Note 3)			-40	-225	mA
I <sub>CC</sub>	Supply Current	Outputs High	V <sub>CC</sub> = Max		48	70	mA
		Outputs Low			62	90	
		Outputs at Hi-Z			64	95	

**Note 2:** All typicals are at V<sub>CC</sub> = 5V, T<sub>A</sub> = 25°C.

**Note 3:** Not more than one output should be shorted at a time, not to exceed one second duration

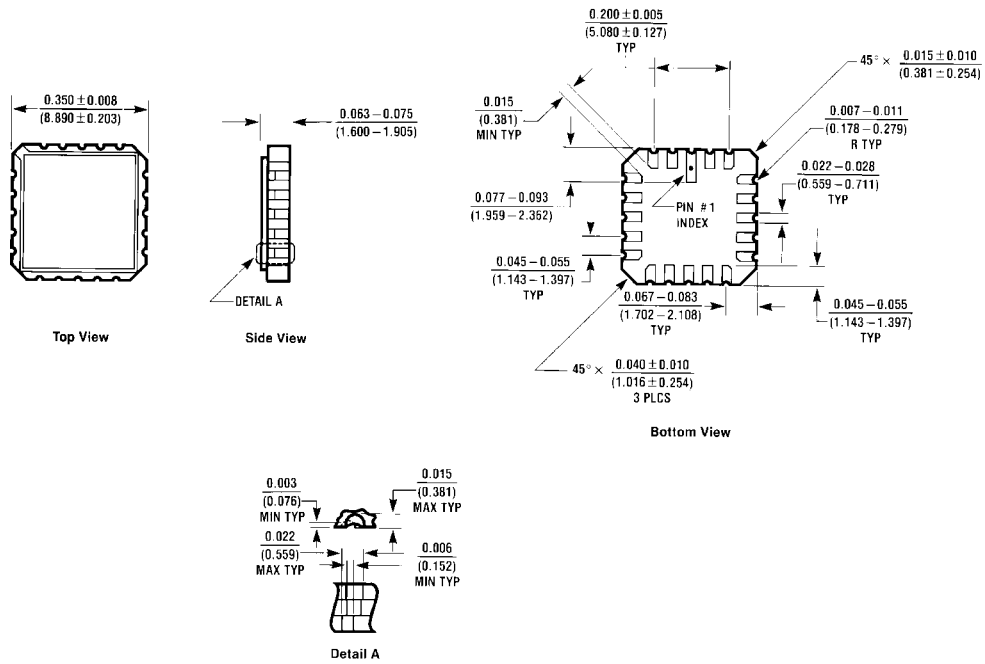
## Switching Characteristics

$V_{CC} = 5V, T_A = 25^\circ C$

Symbol	Parameter	Conditions	DM54/74		Units
			LS245		
			Min	Max	
$t_{PLH}$	Propagation Delay Time, Low-to-High-Level Output	$C_L = 45 \text{ pF}$ $R_L = 667\Omega$		12	ns
$t_{PHL}$	Propagation Delay Time, High-to-Low-Level Output			12	ns
$t_{PZL}$	Output Enable Time to Low Level			40	ns
$t_{PZH}$	Output Enable Time to High Level			40	ns
$t_{PLZ}$	Output Disable Time from Low Level	$C_L = 5 \text{ pF}$ $R_L = 667\Omega$		25	ns
$t_{PHZ}$	Output Disable Time from High Level			25	ns
$t_{PLH}$	Propagation Delay Time, Low-to-High-Level Output	$C_L = 150 \text{ pF}$ $R_L = 667\Omega$		16	ns
$t_{PHL}$	Propagation Delay Time, High-to-Low-Level Output			17	ns
$t_{PZL}$	Output Enable Time to Low Level			45	ns
$t_{PZH}$	Output Enable Time to High Level			45	ns



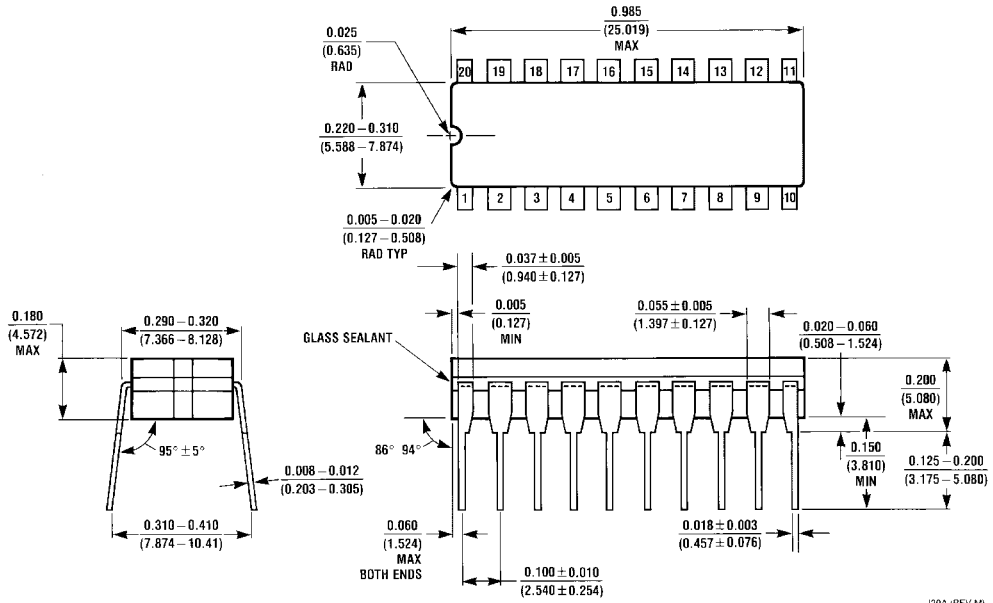
**Physical Dimensions** inches (millimeters) unless otherwise noted



E20A (REV 0)

**Ceramic Leadless Chip Carrier Package (E)**  
**Order Number 54LS245LMQB**  
**Package Number E20A**

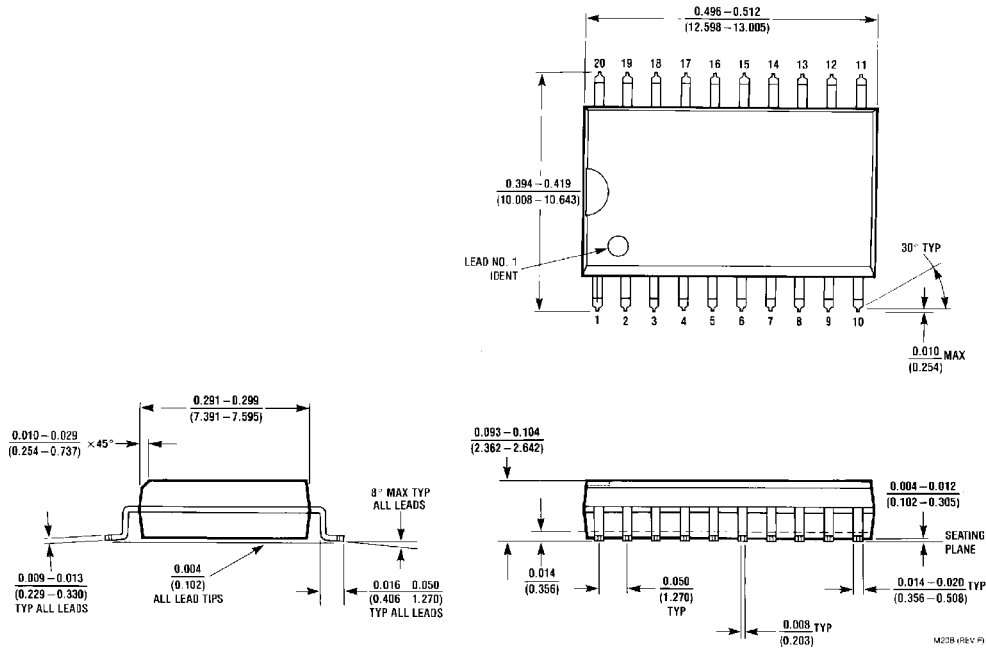
**Physical Dimensions** inches (millimeters) unless otherwise noted (Continued)



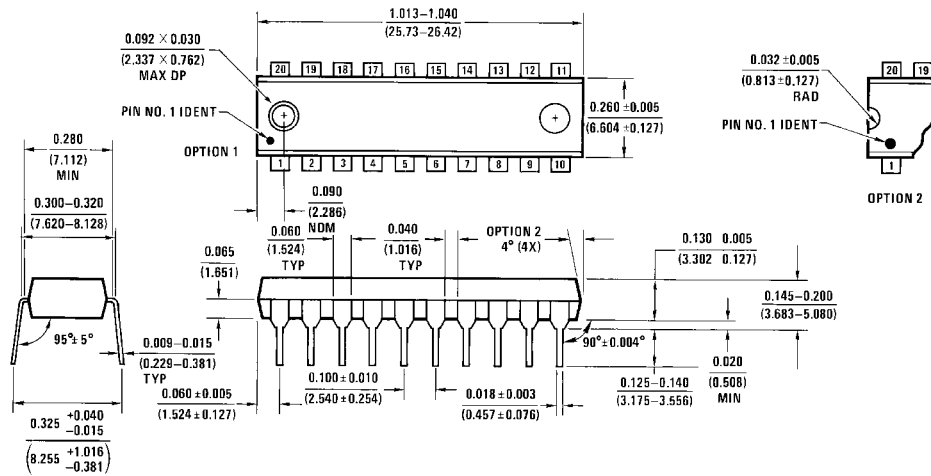
**20-Lead Ceramic Dual-In-Line Package (J)**  
**Order Number 54LS245DMQB or DM54LS245J**  
**Package Number J20A**

J20A (REV M)

**Physical Dimensions** inches (millimeters) unless otherwise noted (Continued)

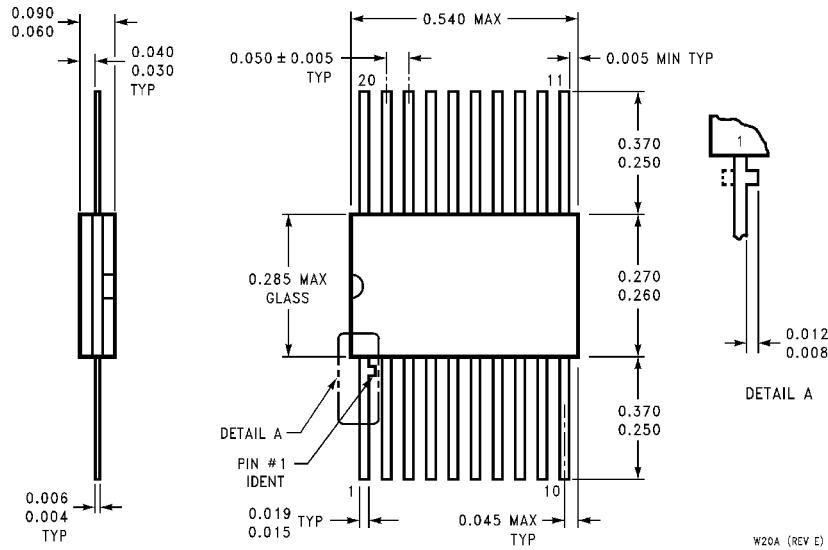


**20-Lead Small Outline Molded Package (M)**  
**Order Number DM74LS245WM**  
**Package Number M20B**



**20-Lead Molded Dual-In-Line Package (N)**  
**Order Number DM74LS245N**  
**Package Number N20A**

**Physical Dimensions** inches (millimeters) unless otherwise noted (Continued)



**20-Lead Ceramic Flat Package (W)**  
**Order Number 54LS245FMQB or DM54LS245W**  
**Package Number W20A**

**LIFE SUPPORT POLICY**

FAIRCHILD'S PRODUCTS ARE NOT AUTHORIZED FOR USE AS CRITICAL COMPONENTS IN LIFE SUPPORT DEVICES OR SYSTEMS WITHOUT THE EXPRESS WRITTEN APPROVAL OF THE PRESIDENT OF FAIRCHILD SEMICONDUCTOR CORPORATION. As used herein:

1. Life support devices or systems are devices or systems which, (a) are intended for surgical implant into the body, or (b) support or sustain life, and (c) whose failure to perform when properly used in accordance with instructions for use provided in the labeling, can be reasonably expected to result in a significant injury to the user.
2. A critical component in any component of a life support device or system whose failure to perform can be reasonably expected to cause the failure of the life support device or system, or to affect its safety or effectiveness.

Fairchild Semiconductor Corporation  
 Americas  
 Customer Response Center  
 Tel: 1-888-522-5372

Fairchild Semiconductor Europe  
 Fax: +49 (0) 1 80-530 85 86  
 Email: europe.support@nsc.com  
 Deutsch Tel: +49 (0) 8 141-35-0  
 English Tel: +44 (0) 1 793-85-68-56  
 Italy Tel: +39 (0) 2 57 5631

Fairchild Semiconductor Hong Kong Ltd.  
 13th Floor, Straight Block,  
 Ocean Centre, 5 Canton Rd.  
 Tsimshatsui, Kowloon  
 Hong Kong  
 Tel: +852 2737-7200  
 Fax: +852 2314-0061

National Semiconductor Japan Ltd.  
 Tel: 81-3-5620-6175  
 Fax: 81-3-5620-6179

www.fairchildsemi.com