

## 74ACQ240, 74ACTQ240

### *Quiet Series™ Octal Buffer/Line Driver with 3-STATE Outputs*

The ACQ/ACTQ240 is an inverting octal buffer and line driver designed to be employed as a memory address driver, clock driver and bus oriented transmitter or receiver which provides improved PC board density. The ACQ/ACTQ utilizes Fairchild's Quiet Series™ technology to guarantee quiet output switching and improve dynamic threshold performance. FACT Quiet Series™ features GTO™ output control and undershoot corrector in addition to a split ground bus for superior performance.

#### **Rochester Electronics Manufactured Components**

Rochester branded components are manufactured using either die/wafers purchased from the original suppliers or Rochester wafers recreated from the original IP. All re-creations are done with the approval of the Original Component Manufacturer (OCM).

Parts are tested using original factory test programs or Rochester developed test solutions to guarantee product meets or exceeds the OCM data sheet.

#### **Quality Overview**

- ISO-9001
- AS9120 certification
- Qualified Manufacturers List (QML) MIL-PRF-35835
  - Class Q Military
  - Class V Space Level
- Qualified Suppliers List of Distributors (QSLD)
  - Rochester is a critical supplier to DLA and meets all industry and DLA standards.

Rochester Electronics, LLC is committed to supplying products that satisfy customer expectations for quality and are equal to those originally supplied by industry manufacturers.

*The original manufacturer's datasheet accompanying this document reflects the performance and specifications of the Rochester manufactured version of this device. Rochester Electronics guarantees the performance of its semiconductor products to the original OCM specifications. 'Typical' values are for reference purposes only. Certain minimum or maximum ratings may be based on product characterization, design, simulation, or sample testing.*

#### **FOR REFERENCE ONLY**

# 74ACQ240, 74ACTQ240

## Quiet Series™ Octal Buffer/Line Driver with 3-STATE Outputs

### Features

- $I_{CC}$  and  $I_{OZ}$  reduced by 50%
- Guaranteed simultaneous switching noise level and dynamic threshold performance
- Guaranteed pin-to-pin skew AC performance
- Improved latch-up immunity
- Inverting 3-STATE outputs drive bus lines or buffer memory address registers
- Outputs source/sink 24mA
- Faster prop delays than the standard ACT240

### General Description

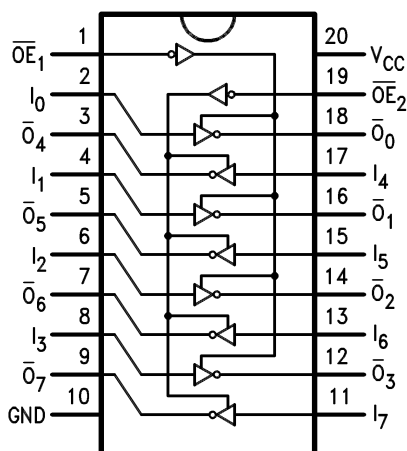
The ACQ/ACTQ240 is an inverting octal buffer and line driver designed to be employed as a memory address driver, clock driver and bus oriented transmitter or receiver which provides improved PC board density. The ACQ/ACTQ utilizes Fairchild's Quiet Series™ technology to guarantee quiet output switching and improve dynamic threshold performance. FACT Quiet Series™ features GTO™ output control and undershoot corrector in addition to a split ground bus for superior performance.

### Ordering Information

| Order Number | Package Number | Package Description  |
|--------------|----------------|--|
| 74ACQ240SC   | M20B           | 20-Lead Small Outline Integrated Circuit (SOIC), JEDEC MS-013, 0.300" Wide |
| 74ACQ240SJ   | M20D           | 20-Lead Small Outline Package (SOP), EIAJ TYPE II, 5.3mm Wide              |
| 74ACTQ240SC  | M20B           | 20-Lead Small Outline Integrated Circuit (SOIC), JEDEC MS-013, 0.300" Wide |
| 74ACTQ240SJ  | M20D           | 20-Lead Small Outline Package (SOP), EIAJ TYPE II, 5.3mm Wide              |
| 74ACTQ240QSC | MQA20          | 20-Lead Quarter Size Outline Package (QSOP), JEDEC MO-137, 0.150" Wide     |

Device also available in Tape and Reel. Specify by appending suffix letter "X" to the ordering number.

### Connection Diagram

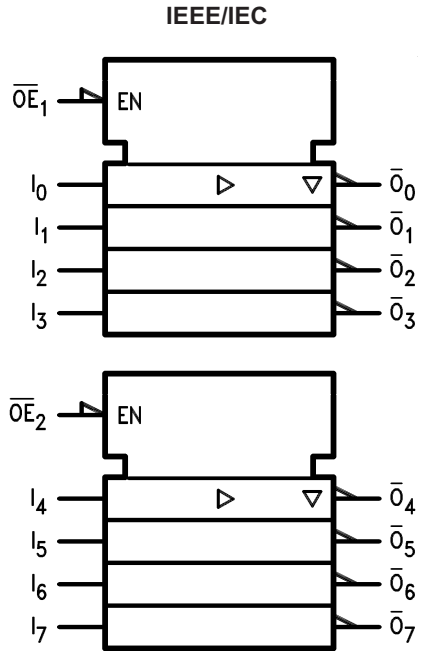


### Pin Descriptions

| Pin Names                          | Description                  |
|------------------------------------|------------------------------|
| $\overline{OE}_1, \overline{OE}_2$ | 3-STATE Output Enable Inputs |
| $I_0-I_7$                          | Inputs                       |
| $\overline{O}_0-\overline{O}_7$    | Outputs                      |

FACT™, Quiet Series™, FACT Quiet Series™, and GTO™ are trademarks of Fairchild Semiconductor Corporation.

### Logic Symbol



### Truth Tables

| Inputs            |       | Outputs             |
|-------------------|-------|---------------------|
| $\overline{OE}_1$ | $I_n$ | Pins 12, 14, 16, 18 |
| L                 | L     | H                   |
| L                 | H     | L                   |
| H                 | X     | Z                   |

| Inputs            |       | Outputs         |
|-------------------|-------|-----------------|
| $\overline{OE}_2$ | $I_n$ | Pins 3, 5, 7, 9 |
| L                 | L     | H               |
| L                 | H     | L               |
| H                 | X     | Z               |

H = HIGH Voltage Level  
 L = LOW Voltage Level  
 X = Immaterial  
 Z = High Impedance

## Absolute Maximum Ratings

Stresses exceeding the absolute maximum ratings may damage the device. The device may not function or be operable above the recommended operating conditions and stressing the parts to these levels is not recommended. In addition, extended exposure to stresses above the recommended operating conditions may affect device reliability. The absolute maximum ratings are stress ratings only.

| Symbol                | Parameter   | Rating                   |
|-----------------------|---|--------------------------|
| $V_{CC}$              | Supply Voltage  | -0.5V to +7.0V           |
| $I_{IK}$              | DC Input Diode Current<br>$V_I = -0.5V$<br>$V_I = V_{CC} + 0.5V$  | -20mA<br>+20mA           |
| $V_I$                 | DC Input Voltage  | -0.5V to $V_{CC} + 0.5V$ |
| $I_{OK}$              | DC Output Diode Current<br>$V_O = -0.5V$<br>$V_O = V_{CC} + 0.5V$ | -20mA<br>+20mA           |
| $V_O$                 | DC Output Voltage   | -0.5V to $V_{CC} + 0.5V$ |
| $I_O$                 | DC Output Source or Sink Current                                  | $\pm 50mA$               |
| $I_{CC}$ or $I_{GND}$ | DC $V_{CC}$ or Ground Current per Output Pin                      | $\pm 50mA$               |
| $T_{STG}$             | Storage Temperature   | -65°C to +150°C          |
|                       | DC Latch-Up Source or Sink Current                                | $\pm 300mA$              |
| $T_J$                 | Junction Temperature  | 140°C                    |

## Recommended Operating Conditions

The Recommended Operating Conditions table defines the conditions for actual device operation. Recommended operating conditions are specified to ensure optimal performance to the datasheet specifications. Fairchild does not recommend exceeding them or designing to absolute maximum ratings.

| Symbol                | Parameter   | Rating                       |
|-----------------------|---|------------------------------|
| $V_{CC}$              | Supply Voltage<br>ACQ<br>ACTQ   | 2.0V to 6.0V<br>4.5V to 5.5V |
| $V_I$                 | Input Voltage   | 0V to $V_{CC}$               |
| $V_O$                 | Output Voltage  | 0V to $V_{CC}$               |
| $T_A$                 | Operating Temperature   | -40°C to +85°C               |
| $\Delta V / \Delta t$ | Minimum Input Edge Rate, ACQ Devices:<br>$V_{IN}$ from 30% to 70% of $V_{CC}$ , $V_{CC}$ @ 3.0V, 4.5V, 5.5V | 125mV/ns                     |
| $\Delta V / \Delta t$ | Minimum Input Edge Rate, ACTQ Devices:<br>$V_{IN}$ from 0.8V to 2.0V, $V_{CC}$ @ 4.5V, 5.5V                 | 125mV/ns                     |

## DC Electrical Characteristics for ACQ

| Symbol                         | Parameter                                    | V <sub>CC</sub> (V) | Conditions   | T <sub>A</sub> = +25°C                 |                   | T <sub>A</sub> = -40°C to +85°C |      | Units |  |
|--------------------------------|--|---------------------|--|--|-------------------|---------------------------------|------|-------|--|
|                                |  |                     |  | Typ.                                   | Guaranteed Limits |                                 |      |       |  |
| V <sub>IH</sub>                | Minimum HIGH Level Input Voltage             | 3.0                 | V <sub>OUT</sub> = 0.1V or V <sub>CC</sub> - 0.1V  | 1.5                                    | 2.1               | 2.1                             |      | V     |  |
|                                |  | 4.5                 |  | 2.25                                   | 3.15              | 3.15                            |      |       |  |
|                                |  | 5.5                 |  | 2.75                                   | 3.85              | 3.85                            |      |       |  |
| V <sub>IL</sub>                | Maximum LOW Level Input Voltage              | 3.0                 | V <sub>OUT</sub> = 0.1V or V <sub>CC</sub> - 0.1V  | 1.5                                    | 0.9               | 0.9                             |      | V     |  |
|                                |  | 4.5                 |  | 2.25                                   | 1.35              | 1.35                            |      |       |  |
|                                |  | 5.5                 |  | 2.75                                   | 1.65              | 1.65                            |      |       |  |
| V <sub>OH</sub>                | Minimum HIGH Level Output Voltage            | 3.0                 | I <sub>OUT</sub> = -50μA   | 2.99                                   | 2.9               | 2.9                             |      | V     |  |
|                                |  | 4.5                 |  | 4.49                                   | 4.4               | 4.4                             |      |       |  |
|                                |  | 5.5                 |  | 5.49                                   | 5.4               | 5.4                             |      |       |  |
|                                |  | 3.0                 | V <sub>IN</sub> = V <sub>IL</sub> or V <sub>IH</sub> :<br>I <sub>OH</sub> = -12mA  |  | 2.56              | 2.46                            |      |       |  |
|                                |  | 4.5                 |  | I <sub>OH</sub> = -24mA                |                   | 3.86                            | 3.76 |       |  |
|                                |  | 5.5                 |  | I <sub>OH</sub> = -24mA <sup>(1)</sup> |                   | 4.86                            | 4.76 |       |  |
| V <sub>OL</sub>                | Maximum LOW Level Output Voltage             | 3.0                 | I <sub>OUT</sub> = 50μA  | 0.002                                  | 0.1               | 0.1                             |      | V     |  |
|                                |  | 4.5                 |  | 0.001                                  | 0.1               | 0.1                             |      |       |  |
|                                |  | 5.5                 |  | 0.001                                  | 0.1               | 0.1                             |      |       |  |
|                                |  | 3.0                 | V <sub>IN</sub> = V <sub>IL</sub> or V <sub>IH</sub> :<br>I <sub>OL</sub> = 12mA   |  | 0.36              | 0.44                            |      |       |  |
|                                |  | 4.5                 |  | I <sub>OL</sub> = 24mA                 |                   | 0.36                            | 0.44 |       |  |
|                                |  | 5.5                 |  | I <sub>OL</sub> = 24mA <sup>(1)</sup>  |                   | 0.36                            | 0.44 |       |  |
| I <sub>IN</sub> <sup>(3)</sup> | Maximum Input Leakage Current                | 5.5                 | V <sub>I</sub> = V <sub>CC</sub> , GND   |  | ±0.1              | ±1.0                            |      | μA    |  |
| I <sub>OLD</sub>               | Minimum Dynamic                              | 5.5                 | V <sub>OLD</sub> = 1.65V Max.  |  |                   | 75                              |      | mA    |  |
| I <sub>OHD</sub>               | Output Current <sup>(2)</sup>                | 5.5                 | V <sub>OHD</sub> = 3.85V Min.  |  |                   | -75                             |      | mA    |  |
| I <sub>CC</sub> <sup>(3)</sup> | Maximum Quiescent Supply Current             | 5.5                 | V <sub>IN</sub> = V <sub>CC</sub> or GND   |  | 4.0               | 40.0                            |      | μA    |  |
| I <sub>OZ</sub>                | Maximum 3-STATE Leakage Current              | 5.5                 | V <sub>I</sub> (OE) = V <sub>IL</sub> , V <sub>IH</sub> ;<br>V <sub>I</sub> = V <sub>CC</sub> , GND;<br>V <sub>O</sub> = V <sub>CC</sub> , GND |  | ±0.25             | ±2.5                            |      | μA    |  |
| V <sub>OLP</sub>               | Quiet Output Maximum Dynamic V <sub>OL</sub> | 5.0                 | Figures 1 & 2 <sup>(4)</sup>   | 1.1                                    | 1.5               |                                 |      | V     |  |
| V <sub>OLV</sub>               | Quiet Output Minimum Dynamic V <sub>OL</sub> | 5.0                 | Figures 1 & 2 <sup>(4)</sup>   | -0.6                                   | -1.2              |                                 |      | V     |  |
| V <sub>IHD</sub>               | Minimum HIGH Level Dynamic Input Voltage     | 5.0                 | <sup>(5)</sup>   | 3.1                                    | 3.5               |                                 |      | V     |  |
| V <sub>ILD</sub>               | Maximum LOW Level Dynamic Input Voltage      | 5.0                 | <sup>(5)</sup>   | 1.9                                    | 1.5               |                                 |      | V     |  |

**Notes:**

- All outputs loaded; thresholds on input associated with output under test.
- Maximum test duration 2.0ms, one output loaded at a time.
- I<sub>IN</sub> and I<sub>CC</sub> @ 3.0V are guaranteed to be less than or equal to the respective limit @ 5.5V V<sub>CC</sub>.
- Max number of outputs defined as (n). Data inputs are driven 0V to 5V. One output @ GND.
- Max number of data inputs (n) switching. (n - 1) inputs switching 0V to 5V (ACQ). Input-under-test switching: 5V to threshold (V<sub>ILD</sub>), 0V to threshold (V<sub>IHD</sub>), f = 1MHz.

## DC Electrical Characteristics for ACTQ

| Symbol           | Parameter                                    | V <sub>CC</sub> (V) | Conditions   | T <sub>A</sub> = +25°C |                   | T <sub>A</sub> = -40°C to +85°C |      | Units |  |
|------------------|--|---------------------|--|------------------------|-------------------|---------------------------------|------|-------|--|
|                  |  |                     |  | Typ.                   | Guaranteed Limits |                                 |      |       |  |
| V <sub>IH</sub>  | Minimum HIGH Level Input Voltage             | 4.5                 | V <sub>OUT</sub> = 0.1V or V <sub>CC</sub> - 0.1V  | 1.5                    | 2.0               | 2.0                             |      | V     |  |
|                  |  | 5.5                 |  | 1.5                    | 2.0               | 2.0                             |      |       |  |
| V <sub>IL</sub>  | Maximum LOW Level Input Voltage              | 4.5                 | V <sub>OUT</sub> = 0.1V or V <sub>CC</sub> - 0.1V  | 1.5                    | 0.8               | 0.8                             |      | V     |  |
|                  |  | 5.5                 |  | 1.5                    | 0.8               | 0.8                             |      |       |  |
| V <sub>OH</sub>  | Minimum HIGH Level Output Voltage            | 4.5                 | I <sub>OUT</sub> = -50μA   | 4.49                   | 4.4               | 4.4                             |      | V     |  |
|                  |  | 5.5                 |  | 5.49                   | 5.4               | 5.4                             |      |       |  |
|                  |  | 4.5                 | V <sub>IN</sub> = V <sub>IL</sub> or V <sub>IH</sub> ;<br>I <sub>OH</sub> = -24mA              |                        |                   | 3.86                            | 3.76 |       |  |
|                  |  | 5.5                 | I <sub>OH</sub> = -24mA <sup>(6)</sup>   |                        |                   | 4.86                            | 4.76 |       |  |
| V <sub>OL</sub>  | Maximum LOW Level Output Voltage             | 4.5                 | I <sub>OUT</sub> = 50μA  | 0.001                  | 0.1               | 0.1                             |      | V     |  |
|                  |  | 5.5                 |  | 0.001                  | 0.1               | 0.1                             |      |       |  |
|                  |  | 4.5                 | V <sub>IN</sub> = V <sub>IL</sub> or V <sub>IH</sub> ;<br>I <sub>OL</sub> = 24mA               |                        |                   | 0.36                            | 0.44 |       |  |
|                  |  | 5.5                 | I <sub>OL</sub> = 24mA <sup>(6)</sup>  |                        |                   | 0.36                            | 0.44 |       |  |
| I <sub>IN</sub>  | Maximum Input Leakage Current                | 5.5                 | V <sub>I</sub> = V <sub>CC</sub> , GND   |                        | ±0.1              | ±1.0                            |      | μA    |  |
| I <sub>OZ</sub>  | Maximum 3-STATE Leakage Current              | 5.5                 | V <sub>I</sub> = V <sub>IL</sub> , V <sub>IH</sub> ;<br>V <sub>O</sub> = V <sub>CC</sub> , GND |                        | ±0.25             | ±2.5                            |      | μA    |  |
| I <sub>CC</sub>  | Maximum I <sub>CC</sub> /Input               | 5.5                 | V <sub>I</sub> = V <sub>CC</sub> - 2.1V  | 0.6                    |                   | 1.5                             |      | mA    |  |
| I <sub>OLD</sub> | Minimum Dynamic                              | 5.5                 | V <sub>OLD</sub> = 1.65V Max.  |                        |                   | 75                              |      | mA    |  |
| I <sub>OHD</sub> | Output Current <sup>(7)</sup>                | 5.5                 | V <sub>OHD</sub> = 3.85V Min.  |                        |                   | -75                             |      | mA    |  |
| I <sub>CC</sub>  | Maximum Quiescent Supply Current             | 5.5                 | V <sub>IN</sub> = V <sub>CC</sub> or GND   |                        | 4.0               | 40.0                            |      | μA    |  |
| V <sub>OLP</sub> | Quiet Output Maximum Dynamic V <sub>OL</sub> | 5.0                 | Figures 1 & 2 <sup>(8)</sup>   | 1.1                    | 1.5               |                                 |      | V     |  |
| V <sub>OLV</sub> | Quiet Output Minimum Dynamic V <sub>OL</sub> | 5.0                 | Figures 1 & 2 <sup>(8)</sup>   | -0.6                   | -1.2              |                                 |      | V     |  |
| V <sub>IHD</sub> | Minimum HIGH Level Dynamic Input Voltage     | 5.0                 | <sup>(9)</sup>   | 1.9                    | 2.2               |                                 |      | V     |  |
| V <sub>ILD</sub> | Maximum LOW Level Dynamic Input Voltage      | 5.0                 | <sup>(9)</sup>   | 1.2                    | 0.8               |                                 |      | V     |  |

**Notes:**

6. All outputs loaded; thresholds on input associated with output under test.
7. Maximum test duration 2.0ms, one output loaded at a time.
8. Max number of Data Inputs defined as (n). n-1 Data Inputs are driven 0V to 3V. One Data Input @ V<sub>IN</sub> = GND.
9. Max number of Data Inputs (n) switching. (n-1) Inputs switching 0V to 3V (ACTQ). Input-under-test switching: 3V to threshold (V<sub>ILD</sub>), 0V to threshold (V<sub>IHD</sub>), f = 1 MHz.

**AC Electrical Characteristics for ACQ**

| Symbol     | Parameter  | $V_{CC}$ (V) <sup>(10)</sup> | $T_A = +25^\circ\text{C}$ ,<br>$C_L = 50\text{pF}$ |      |      | $T_A = -40^\circ\text{C to } +85^\circ\text{C}$ ,<br>$C_L = 50\text{pF}$ |      | Units |
|------------|--|------------------------------|--|------|------|--|------|-------|
|            |  |                              | Min.   | Typ. | Max. | Min.   | Max. |       |
| $t_{PHL}$  | Propagation Delay,<br>Data to Output                     | 3.3                          | 2.0  | 7.0  | 10.0 | 2.0  | 10.5 | ns    |
| $t_{PLH}$  |  | 5.0                          | 1.5  | 5.0  | 6.5  | 1.5  | 7.0  |       |
| $t_{PZL}$  | Output Enable Time                                       | 3.3                          | 2.5  | 8.0  | 12.0 | 2.5  | 12.5 | ns    |
| $t_{PZH}$  |  | 5.0                          | 1.5  | 5.5  | 8.0  | 1.5  | 8.5  |       |
| $t_{PHZ}$  | Output Disable Time                                      | 3.3                          | 1.0  | 8.5  | 13.5 | 1.0  | 14.0 | ns    |
| $t_{PLZ}$  |  | 5.0                          | 1.0  | 6.0  | 9.0  | 1.0  | 9.5  |       |
| $t_{OSHL}$ | Output to Output Skew,<br>Data to Output <sup>(11)</sup> | 3.3                          |  | 1.0  | 1.5  |  | 1.5  | ns    |
| $t_{OSLH}$ |  | 5.0                          |  | 0.5  | 1.0  |  | 1.0  |       |

**Notes:**

10. Voltage range 5.0 is  $5.0\text{V} \pm 0.5\text{V}$ . Voltage range 3.3 is  $3.3 \pm 0.3\text{V}$ .
11. Skew is defined as the absolute value of the difference between the actual propagation delay for any two separate outputs of the same device. The specification applies to any outputs switching in the same direction, either HIGH-to-LOW ( $t_{OSHL}$ ) or LOW-to-HIGH ( $t_{OSLH}$ ). Parameter guaranteed by design.

**AC Electrical Characteristics for ACTQ**

| Symbol                | Parameter  | $V_{CC}$ (V) <sup>(12)</sup> | $T_A = +25^\circ\text{C}$ ,<br>$C_L = 50\text{pF}$ |      |      | $T_A = -40^\circ\text{C to } +85^\circ\text{C}$ ,<br>$C_L = 50\text{pF}$ |      | Units |
|-----------------------|--|------------------------------|--|------|------|--|------|-------|
|                       |  |                              | Min.   | Typ. | Max. | Min.   | Max. |       |
| $t_{PHL}$             | Propagation Delay, Data<br>to Output                     | 5.0                          | 1.5  | 5.5  | 7.0  | 1.5  | 7.5  | ns    |
| $t_{PLH}$             |  |                              |  |      |      |  |      |       |
| $t_{PZL}$ , $t_{PZH}$ | Output Enable Time                                       | 5.0                          | 1.5  | 6.5  | 8.5  | 1.5  | 9.0  | ns    |
| $t_{PHZ}$ , $t_{PLZ}$ | Output Disable Time                                      | 5.0                          | 1.0  | 7.0  | 9.5  | 1.0  | 10.0 | ns    |
| $t_{OSHL}$            | Output to Output Skew,<br>Data to Output <sup>(13)</sup> | 5.0                          |  | 0.5  | 1.0  |  | 1.0  | ns    |
| $t_{OSLH}$            |  |                              |  |      |      |  |      |       |

**Notes:**

12. Voltage range 5.0 is  $5.0\text{V} \pm 0.5\text{V}$
13. Skew is defined as the absolute value of the difference between the actual propagation delay for any two separate outputs of the same device. The specification applies to any outputs switching in the same direction, either HIGH-to-LOW ( $t_{OSHL}$ ) or LOW-to-HIGH ( $t_{OSLH}$ ). Parameter guaranteed by design.

**Capacitance**

| Symbol   | Parameter                     | Conditions             | Typ. | Units |
|----------|-------------------------------|------------------------|------|-------|
| $C_{IN}$ | Input Capacitance             | $V_{CC} = \text{OPEN}$ | 4.5  | pF    |
| $C_{PD}$ | Power Dissipation Capacitance | $V_{CC} = 5.0\text{V}$ | 70   | pF    |

## FACT Noise Characteristics

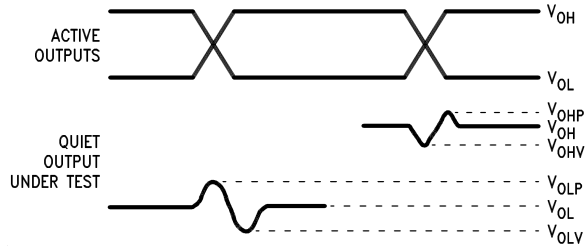
The setup of a noise characteristics measurement is critical to the accuracy and repeatability of the tests. The following is a brief description of the setup used to measure the noise characteristics of FACT.

### Equipment:

- Hewlett Packard Model 8180A Word Generator
- PC-163A Test Fixture
- Tektronics Model 7854 Oscilloscope

### Procedure:

1. Verify Test Fixture Loading: Standard Load 50pF, 500Ω.
2. Deskew the HFS generator so that no two channels have greater than 150 ps skew between them. This requires that the oscilloscope be deskewed first. It is important to deskew the HFS generator channels before testing. This will ensure that the outputs switch simultaneously.
3. Terminate all inputs and outputs to ensure proper loading of the outputs and that the input levels are at the correct voltage.
4. Set the HFS generator to toggle all but one output at a frequency of 1MHz. Greater frequencies will increase DUT heating and affect the results of the measurement.
5. Set the HFS generator input levels at 0V LOW and 3V HIGH for ACT devices and 0V LOW and 5V HIGH for AC devices. Verify levels with an oscilloscope.



### Notes:

14.  $V_{OHV}$  and  $V_{OLP}$  are measured with respect to ground reference.
15. Input pulses have the following characteristics:  
 $f = 1\text{MHz}$ ,  $t_r = 3\text{ns}$ ,  $t_f = 3\text{ns}$ , skew < 150ps.

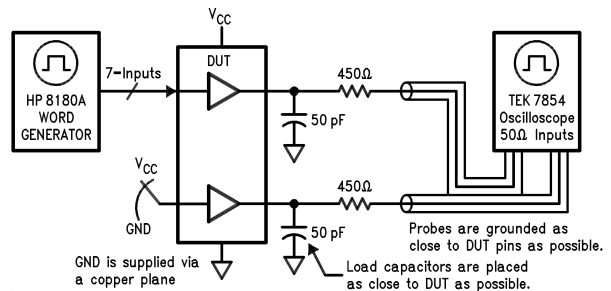
**Figure 1. Quiet Output Noise Voltage Waveforms**

### $V_{OLP}/V_{OLV}$ and $V_{OHP}/V_{OHV}$ :

- Determine the quiet output pin that demonstrates the greatest noise levels. The worst case pin will usually be the furthest from the ground pin. Monitor the output voltages using a 50Ω coaxial cable plugged into a standard SMB type connector on the test fixture. Do not use an active FET probe.
- Measure  $V_{OLP}$  and  $V_{OLV}$  on the quiet output during the worst case transition for active and enable. Measure  $V_{OHP}$  and  $V_{OHV}$  on the quiet output during the worst case active and enable transition.
- Verify that the GND reference recorded on the oscilloscope has not drifted to ensure the accuracy and repeatability of the measurements.

### $V_{ILD}$ and $V_{IHD}$ :

- Monitor one of the switching outputs using a 50Ω coaxial cable plugged into a standard SMB type connector on the test fixture. Do not use an active FET probe.
- First increase the input LOW voltage level,  $V_{IL}$ , until the output begins to oscillate or steps out a min of 2ns. Oscillation is defined as noise on the output LOW level that exceeds  $V_{IL}$  limits, or on output HIGH levels that exceed  $V_{IH}$  limits. The input LOW voltage level at which oscillation occurs is defined as  $V_{ILD}$ .
- Next decrease the input HIGH voltage level,  $V_{IH}$ , until the output begins to oscillate or steps out a min of 2ns. Oscillation is defined as noise on the output LOW level that exceeds  $V_{IL}$  limits, or on output HIGH levels that exceed  $V_{IH}$  limits. The input HIGH voltage level at which oscillation occurs is defined as  $V_{IHD}$ .
- Verify that the GND reference recorded on the oscilloscope has not drifted to ensure the accuracy and repeatability of the measurements.



**Figure 2. Simultaneous Switching Test Circuit**



## Physical Dimensions

Dimensions are in inches (millimeters) unless otherwise noted.

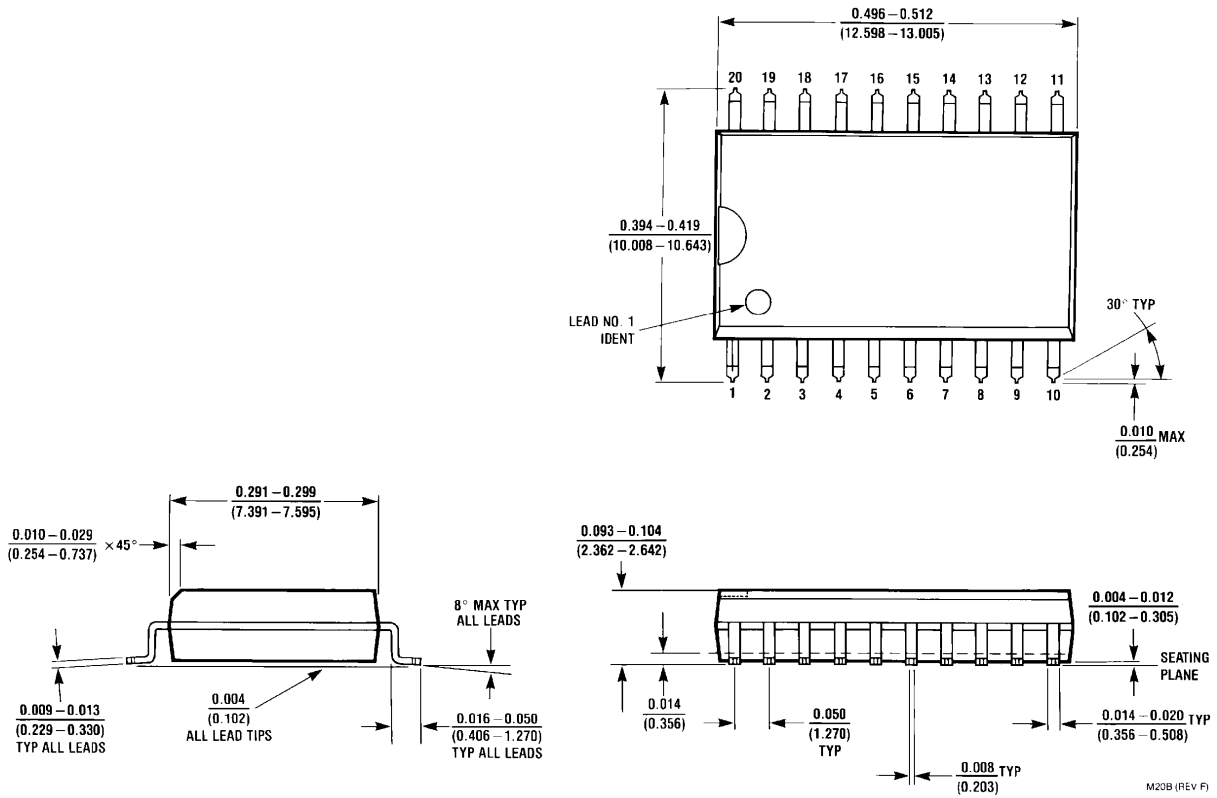
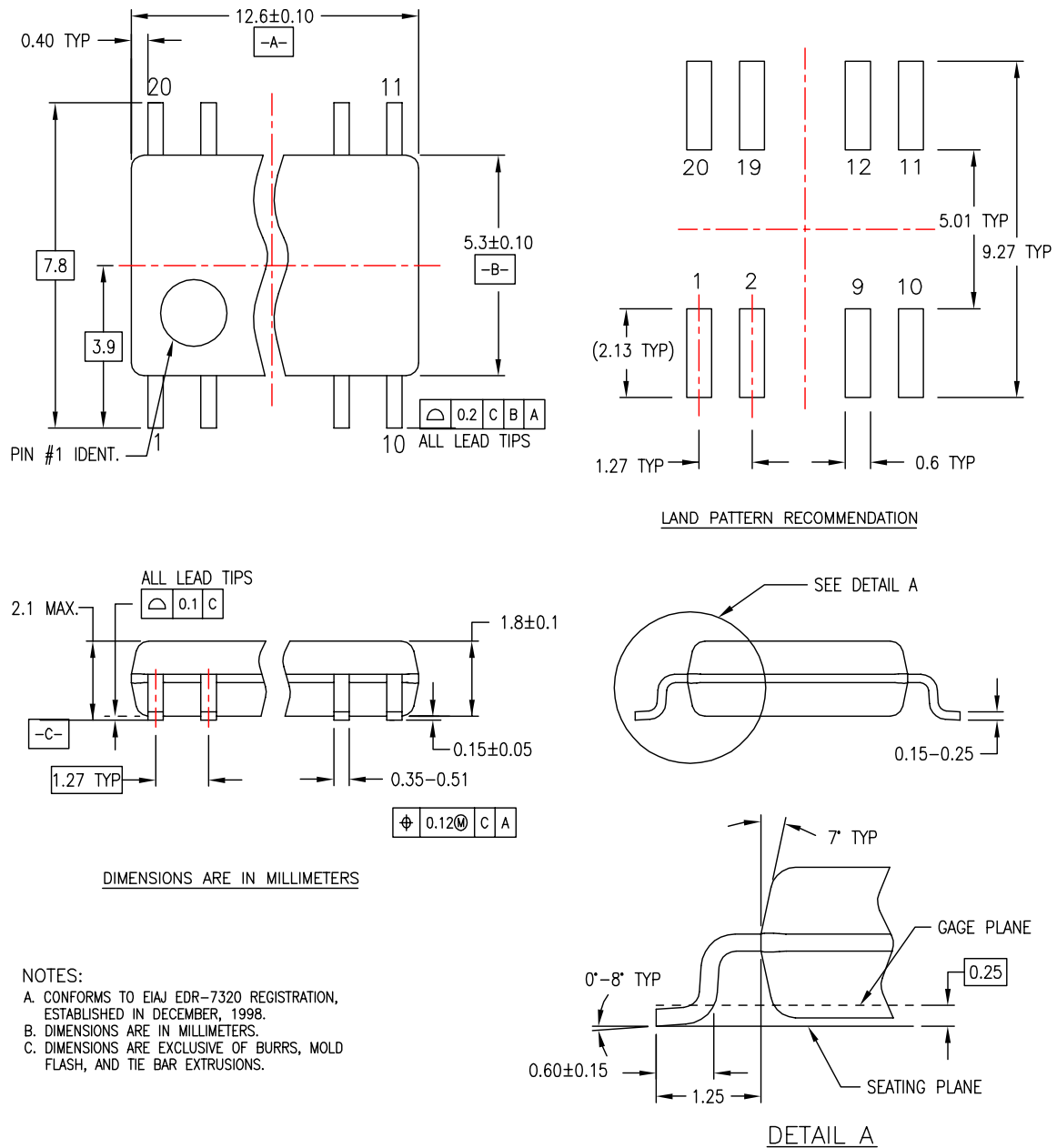


Figure 3. 20-Lead Small Outline Integrated Circuit (SOIC), JEDEC MS-013, 0.300" Wide Package Number M20B

**Physical Dimensions** (Continued)

Dimensions are in millimeters unless otherwise noted.

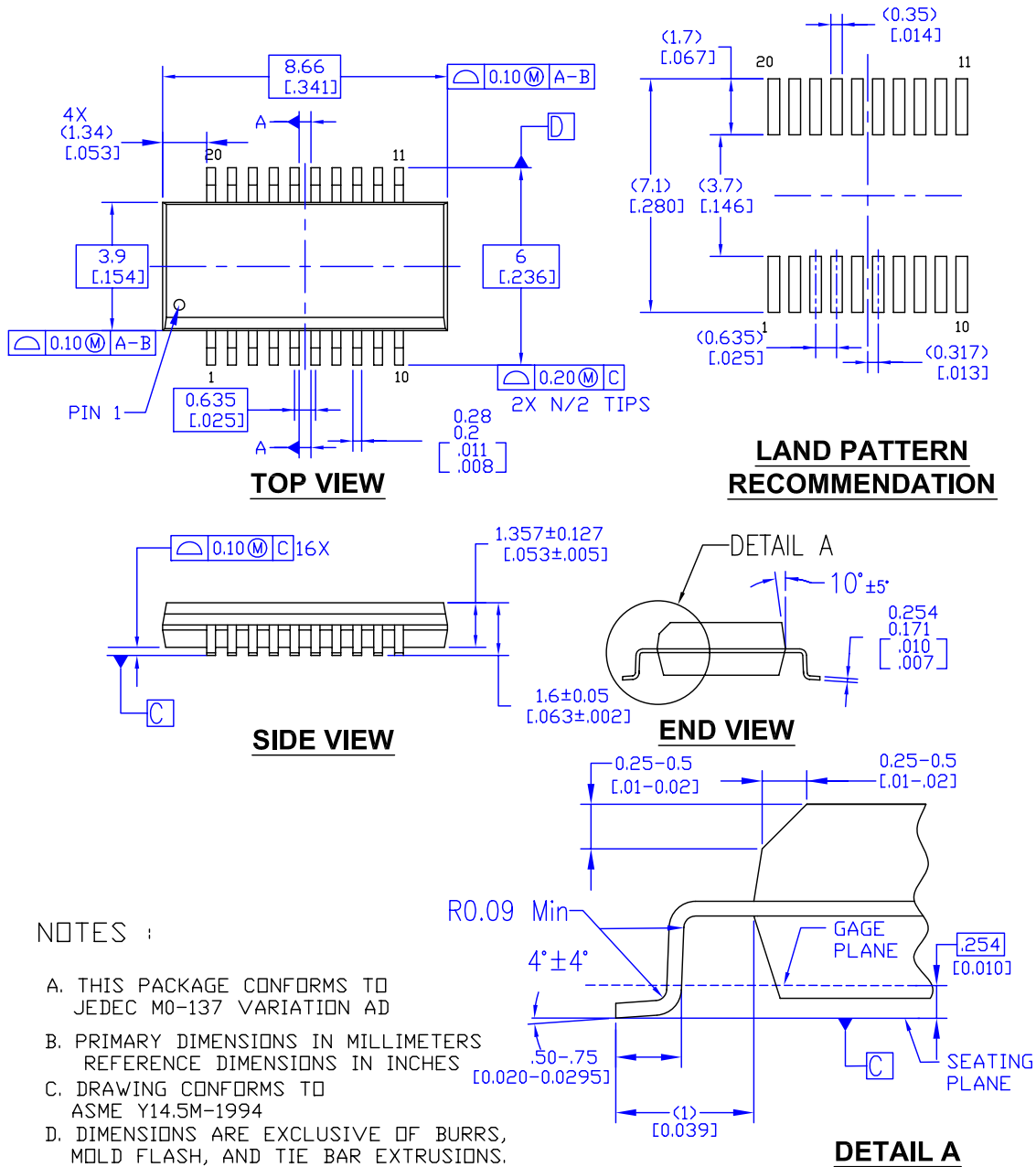


M20DREVC

**Figure 4. 20-Lead Small Outline Package (SOP), EIAJ TYPE II, 5.3mm Wide Package Number M20D**

**Physical Dimensions** (Continued)

Dimensions are in millimeters unless otherwise noted.




MQA20REVA

**Figure 5. 20-Lead Quarter Size Outline Package (QSOP), JEDEC MO-137, 0.150" Wide Package Number MQA20**



## TRADEMARKS

The following are registered and unregistered trademarks Fairchild Semiconductor owns or is authorized to use and is not intended to be an exhaustive list of all such trademarks.

|                                      |                          |   |                        |
|--------------------------------------|--------------------------|---|------------------------|
| ACEx <sup>®</sup>                    | HiSeC™                   | Programmable Active Droop™  | TinyLogic <sup>®</sup> |
| Across the board. Around the world.™ | <i>i-Lo</i> ™            | QFET <sup>®</sup>   | TINYOPTO™              |
| ActiveArray™                         | ImpliedDisconnect™       | QS™   | TinyPower™             |
| Bottomless™                          | IntelliMAX™              | QT Optoelectronics™   | TinyWire™              |
| Build it Now™                        | ISOPLANAR™               | Quiet Series™   | TruTranslation™        |
| CoolFET™                             | MICROCOUPLER™            | RapidConfigure™   | μSerDes™               |
| CROSSVOLT™                           | MicroPak™                | RapidConnect™   | UHC <sup>®</sup>       |
| CTL™                                 | MICROWIRE™               | ScalarPump™   | UniFET™                |
| Current Transfer Logic™              | MSX™                     | SMART START™  | VCX™                   |
| DOME™                                | MSXPro™                  | SPM <sup>®</sup>  | Wire™                  |
| E <sup>2</sup> CMOS™                 | OCX™                     | STEALTH™  |                        |
| EcoSPARK <sup>®</sup>                | OCXPro™                  | SuperFET™   |                        |
| EnSigna™                             | OPTOLOGIC <sup>®</sup>   | SuperSOT™-3   |                        |
| FACT Quiet Series™                   | OPTOPLANAR <sup>®</sup>  | SuperSOT™-6   |                        |
| FACT <sup>®</sup>                    | PACMAN™                  | SuperSOT™-8   |                        |
| FAST <sup>®</sup>                    | POP™                     | SyncFET™  |                        |
| FASTr™                               | Power220 <sup>®</sup>    | TCM™  |                        |
| FPS™                                 | Power247 <sup>®</sup>    | The Power Franchise <sup>®</sup>  |                        |
| FRFET <sup>®</sup>                   | PowerEdge™               |  ™ |                        |
| GlobalOptoisolator™                  | PowerSaver™              | TinyBoost™  |                        |
| GTO™                                 | PowerTrench <sup>®</sup> | TinyBuck™   |                        |

## DISCLAIMER

FAIRCHILD SEMICONDUCTOR RESERVES THE RIGHT TO MAKE CHANGES WITHOUT FURTHER NOTICE TO ANY PRODUCTS HEREIN TO IMPROVE RELIABILITY, FUNCTION OR DESIGN. FAIRCHILD DOES NOT ASSUME ANY LIABILITY ARISING OUT OF THE APPLICATION OR USE OF ANY PRODUCT OR CIRCUIT DESCRIBED HEREIN; NEITHER DOES IT CONVEY ANY LICENSE UNDER ITS PATENT RIGHTS, NOR THE RIGHTS OF OTHERS. THESE SPECIFICATIONS DO NOT EXPAND THE TERMS OF FAIRCHILD'S WORLDWIDE TERMS AND CONDITIONS, SPECIFICALLY THE WARRANTY THEREIN, WHICH COVERS THESE PRODUCTS.

## LIFE SUPPORT POLICY

FAIRCHILD'S PRODUCTS ARE NOT AUTHORIZED FOR USE AS CRITICAL COMPONENTS IN LIFE SUPPORT DEVICES OR SYSTEMS WITHOUT THE EXPRESS WRITTEN APPROVAL OF FAIRCHILD SEMICONDUCTOR CORPORATION.

As used herein:

- Life support devices or systems are devices or systems which, (a) are intended for surgical implant into the body or (b) support or sustain life, and (c) whose failure to perform when properly used in accordance with instructions for use provided in the labeling, can be reasonably expected to result in a significant injury of the user.
- A critical component in any component of a life support, device, or system whose failure to perform can be reasonably expected to cause the failure of the life support device or system, or to affect its safety or effectiveness.

## PRODUCT STATUS DEFINITIONS

### Definition of Terms

| Datasheet Identification | Product Status         | Definition   |
|--------------------------|------------------------|--|
| Advance Information      | Formative or In Design | This datasheet contains the design specifications for product development. Specifications may change in any manner without notice.   |
| Preliminary              | First Production       | This datasheet contains preliminary data; supplementary data will be published at a later date. Fairchild Semiconductor reserves the right to make changes at any time without notice to improve design. |
| No Identification Needed | Full Production        | This datasheet contains final specifications. Fairchild Semiconductor reserves the right to make changes at any time without notice to improve design.   |
| Obsolete                 | Not In Production      | This datasheet contains specifications on a product that has been discontinued by Fairchild Semiconductor. The datasheet is printed for reference information only.                                      |

Rev. I24