

29F52•29F53 8-Bit Registered Transceiver

General Description

The 29F52 and 29F53 are 8-bit registered transceivers. Two 8-bit back to back registers store data flowing in both directions between two bidirectional buses. Separate clock, clock enable and 3-STATE output enable signals are provided for each register. The A₀–A₇ output pins are guaranteed to sink 24 mA (20 mA mil.) while the B₀–B₇ output pins are designed for 64 mA.

The 29F53 is an inverting option of the 29F52. Both transceivers are AMD Am2952/2953 functional equivalents.

Features

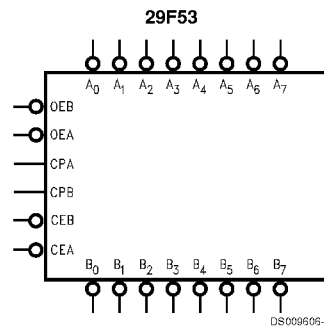
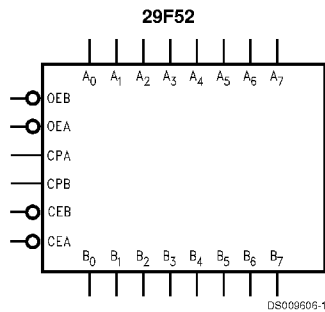
- 8-bit registered transceivers
- Separate clock, clock enable and 3-STATE output enable provided for each register
- AMD Am2952/2953 functional equivalents
- Both inverting and non-inverting options available
- 24-Pin slimline package

Ordering Code:

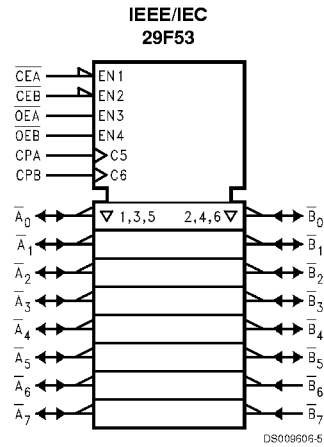
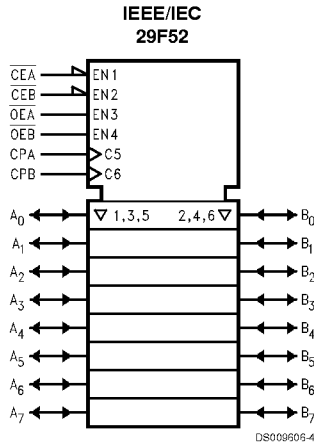
Commercial	Package Number	Package Description
29F52SPC	N24C	24-Lead (0.300" Wide) Molded Dual-In-Line
29F52SC (Note 1)	M24B	24-Lead (0.300" Wide) Molded Small Outline, JEDEC
29F53SPC	N24C	24-Lead (0.300" Wide) Molded Dual-In-Line

Note 1: Devices also available in 13" reel. Use suffix = SCX.

Logic Symbols

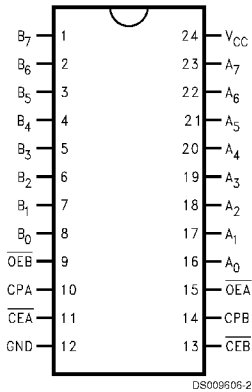


Logic Symbols (Continued)

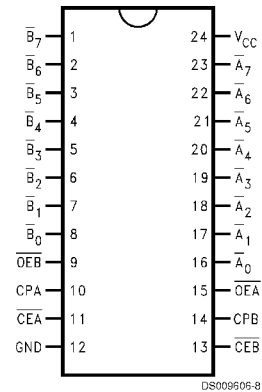


Connection Diagrams

**Pin Assignment
for DIP and SOIC
29F52**



**Pin Assignment
for DIP
29F53**



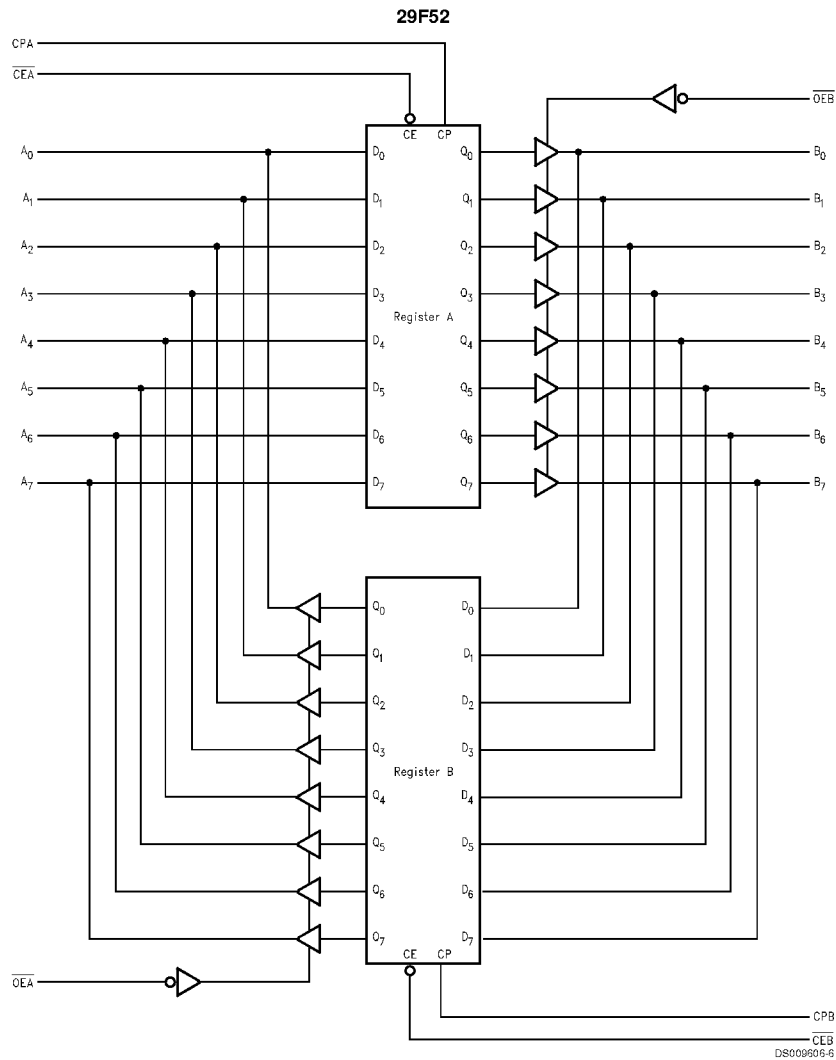
Unit Loading/Fan Out

Pin Names	Description	54F/74F	
		U.L. HIGH/LOW	Input I_{IH}/I_{IL} Output I_{OH}/I_{OL}
A_0-A_7	A-Register Inputs/ B-Register 3-STATE Outputs	3.5/1.083 150/40 (33.3)	70 μ A/0.65 mA -3 mA/24 mA (20 mA)
B_0-B_7	B Register Inputs/ A-Register 3-STATE Outputs	3.5/1.083 600/106.6 (80)	70 μ A/0.65 mA -12 mA/64 mA (48 mA)
\overline{OEA}	Output Enable A-Register	1.0/1.0	20 μ A/-0.6 mA
CPA	A-Register Clock	1.0/1.0	20 μ A/-0.6 mA
\overline{CEA}	A-Register Clock Enable	1.0/1.0	20 μ A/-0.6 mA
\overline{OEB}	Output Enable B-Register	1.0/1.0	20 μ A/-0.6 mA

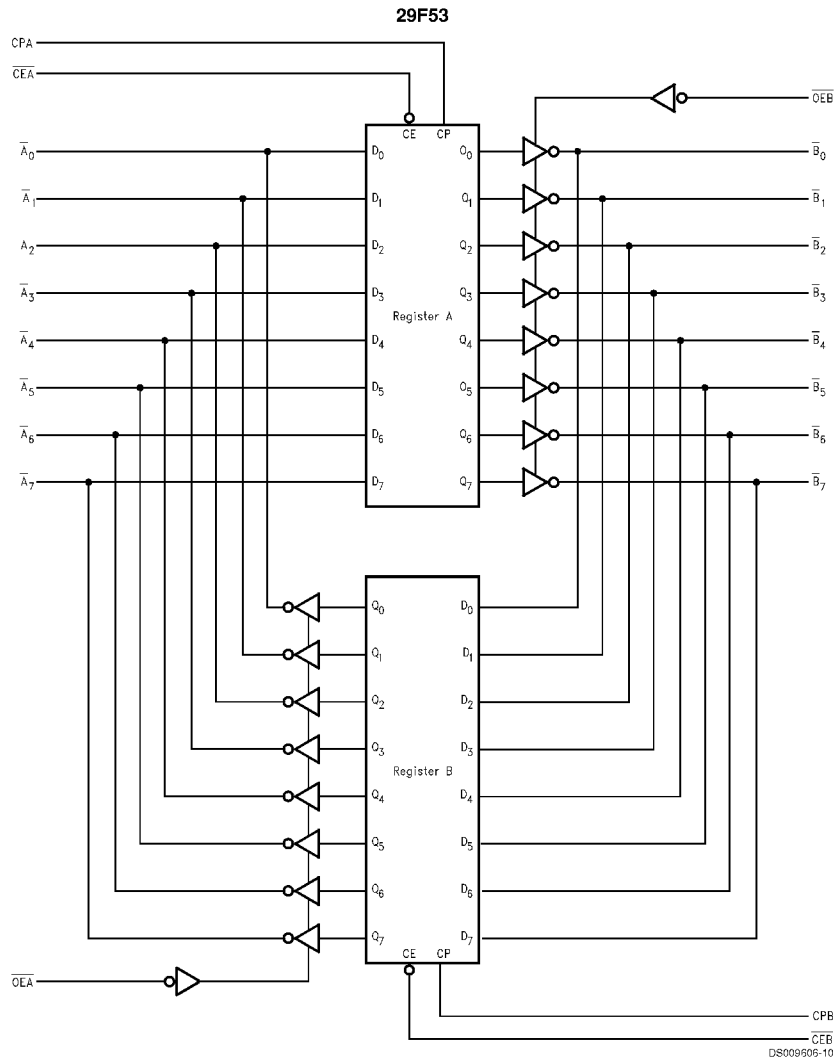
Unit Loading/Fan Out (Continued)

Pin Names	Description	54F/74F	
		U.L. HIGH/LOW	Input I_{IH}/I_{IL} Output I_{OH}/I_{OL}
CPB	B-Register Clock	1.0/1.0	20 μ A/-0.6 mA
\overline{CEB}	B-Register Clock Enable	1.0/1.0	20 μ A/-0.6 mA

Block Diagrams



Block Diagrams (Continued)



Output Control

OE	Internal Q	Y-Output		Function
		29F52	29F53	
H	X	Z	Z	Disable Outputs
L	L	L	H	Enable Outputs
L	H	H	L	

H = HIGH Voltage Level
 L = LOW Voltage Level
 X = Immaterial
 Z = HIGH Impedance
 N = LOW-to-HIGH Transition
 NC = No Change

Register Function Table (Applies to A or B Register)

Inputs			Internal Q	Function
D	CP	CE		
X	X	H	NC	Hold Data
L	N	L	L	Load Data
H	N	L	H	

Absolute Maximum Ratings (Note 2)

Storage Temperature	-65°C to +150°C
Ambient Temperature under Bias	-55°C to +125°C
Junction Temperature under Bias	-55°C to +175°C
Plastic	-55°C to +150°C
V _{CC} Pin Potential to Ground Pin	-0.5V to +7.0V
Input Voltage (Note 3)	-0.5V to +7.0V
Input Current (Note 3)	-30 mA to +5.0 mA
Voltage Applied to Output in HIGH State (with V _{CC} = 0V)	
Standard Output	-0.5V to V _{CC}
3-STATE Output	-0.5V to +5.5V
Current Applied to Output	

in LOW State (Max)

twice the rated I_{OL} (mA)

Recommended Operating Conditions

Free Air Ambient Temperature	
Military	-55°C to +125°C
Commercial	0°C to +70°C
Supply Voltage	
Military	+4.5V to +5.5V
Commercial	+4.5V to +5.5V

Note 2: Absolute maximum ratings are values beyond which the device may be damaged or have its useful life impaired. Functional operation under these conditions is not implied.

Note 3: Either voltage limit or current limit is sufficient to protect inputs.

DC Electrical Characteristics

Symbol	Parameter	54F/74F			Units	V _{CC}	Conditions
		Min	Typ	Max			
V _{IH}	Input HIGH Voltage	2.0			V		Recognized as a HIGH Signal
V _{IL}	Input LOW Voltage				V		Recognized as a LOW Signal
V _{CD}	Input Clamp Diode Voltage				V	Min	I _{IN} = -18 mA (Non I/O Pins)
V _{OH}	Output HIGH Voltage	54F 10% V _{CC}	2.5		V	Min	I _{OH} = -1 mA (A _n)
		54F 10% V _{CC}	2.4				I _{OH} = -3 mA (A _n , B _n)
		54F 10% V _{CC}	2.0				I _{OH} = -12 mA (B _n)
		74F 10% V _{CC}	2.5				I _{OH} = -1 mA (A _n)
		74F 10% V _{CC}	2.4				I _{OH} = -3 mA (A _n , B _n)
		74F 10% V _{CC}	2.0				I _{OH} = -15 mA (B _n)
		74F 5% V _{CC}	2.7				I _{OH} = -1 mA (A _n)
V _{OL}	Output LOW Voltage	54F 10% V _{CC}	0.5		V	Min	I _{OL} = 20 mA (A _n)
		54F 10% V _{CC}	0.55				I _{OL} = 48 mA (B _n)
		74F 10% V _{CC}	0.5				I _{OL} = 24 mA (A _n)
		74F 10% V _{CC}	0.55				I _{OL} = 64 mA (B _n)
I _{IH}	Input HIGH Current				μA	Max	V _{IN} = 2.7V (Non-I/O Pins)
I _{BVI}	Input HIGH Current Breakdown Test				μA	Max	V _{IN} = 7.0V (Non-I/O Pins)
I _{BVIT}	Input HIGH Current Breakdown Test (I/O)				mA	Max	V _{IN} = 5.5V (A _n , B _n)
I _{IL}	Input LOW Current				mA	Max	V _{IN} = 0.5V (Non-I/O Pins)
I _{IH} + I _{OZH}	Output Leakage Current				μA	Max	V _{OUT} = 2.7V (A _n , B _n)
I _{IL} + I _{OZL}	Output Leakage Current				μA	Max	V _{OUT} = 0.5V (A _n , B _n)
I _{OS}	Output Short-Circuit Current	-60		-150	mA	Max	V _{OUT} = 0V (A _n)
		-100		-225			V _{OUT} = 0V (B _n)
I _{CEX}	Output HIGH Leakage Current				μA	Max	V _{OUT} = V _{CC} (A _n , B _n)
I _{ZZ}	Bus Drainage Test				μA	0.0V	V _{OUT} = 5.25V (A _n , B _n)
I _{CCH}	Power Supply Current	130		190	mA	Max	V _O = HIGH
I _{CCL}	Power Supply Current				mA	Max	V _O = LOW
I _{CCZ}	Power Supply Current				mA	Max	V _O = HIGH Z

AC Electrical Characteristics

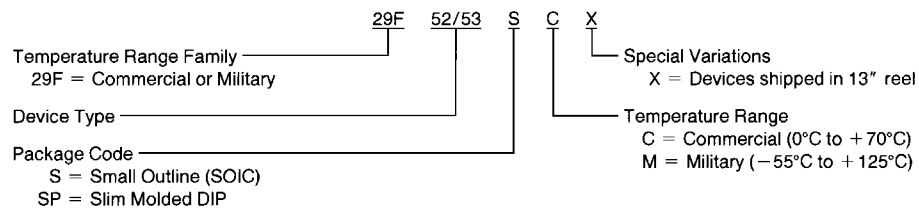
Symbol	Parameter	74F			54F		74F		Units
		$T_A = +25^\circ\text{C}$ $V_{CC} = +5.0\text{V}$ $C_L = 50\text{ pF}$			$T_A, V_{CC} = \text{Mil}$ $C_L = 50\text{ pF}$		$T_A, V_{CC} = \text{Com}$ $C_L = 50\text{ pF}$		
		Min	Typ	Max	Min	Max	Min	Max	
t_{PLH}	Propagation Delay	3.0	5.5	7.5			2.5	8.5	ns
t_{PHL}	CPA or CPB to A_n or B_n	4.0	7.0	9.0			3.5	10.0	
t_{PZH}	Output Enable Time	2.5	5.5	7.5			2.0	8.5	ns
t_{PZL}	$\overline{\text{OE}}A$ or $\overline{\text{OE}}B$ to A_n or B_n	3.5	7.0	9.5			3.0	10.5	
t_{PHZ}	Output Disable Time	2.5	6.5	9.0			2.0	10.0	ns
t_{PLZ}	$\overline{\text{OE}}A$ or $\overline{\text{OE}}B$ to A_n or B_n	2.5	5.5	7.5			2.0	8.5	

AC Operating Requirements

Symbol	Parameter	74F		54F		74F		Units
		$T_A = +25^\circ\text{C}$ $V_{CC} = +5.0\text{V}$		$T_A, V_{CC} = \text{Mil}$		$T_A, V_{CC} = \text{Com}$		
		Min	Max	Min	Max	Min	Max	
$t_s(H)$	Setup Time, HIGH or LOW	4.0				4.5		ns
$t_s(L)$	A_n or B_n to CPA or CPB	4.0				4.5		
$t_h(H)$	Hold Time, HIGH or LOW	2.0				2.5		ns
$t_h(L)$	A_n or B_n to CPA or CPB	2.0				2.5		
$t_s(H)$	Setup Time, HIGH or LOW	1.0				1.5		ns
$t_s(L)$	$\overline{\text{CE}}A$ or $\overline{\text{CE}}B$ to CPA or CPB	4.0				4.5		
$t_h(H)$	Hold Time, HIGH or LOW	2.0				2.5		ns
$t_h(L)$	$\overline{\text{CE}}A$ or $\overline{\text{CE}}B$ to CPA or CPB	2.0				2.5		
$t_w(H)$	Pulse Width, HIGH or LOW	3.0				3.5		ns
$t_w(L)$	CPA or CPB	3.0				3.5		

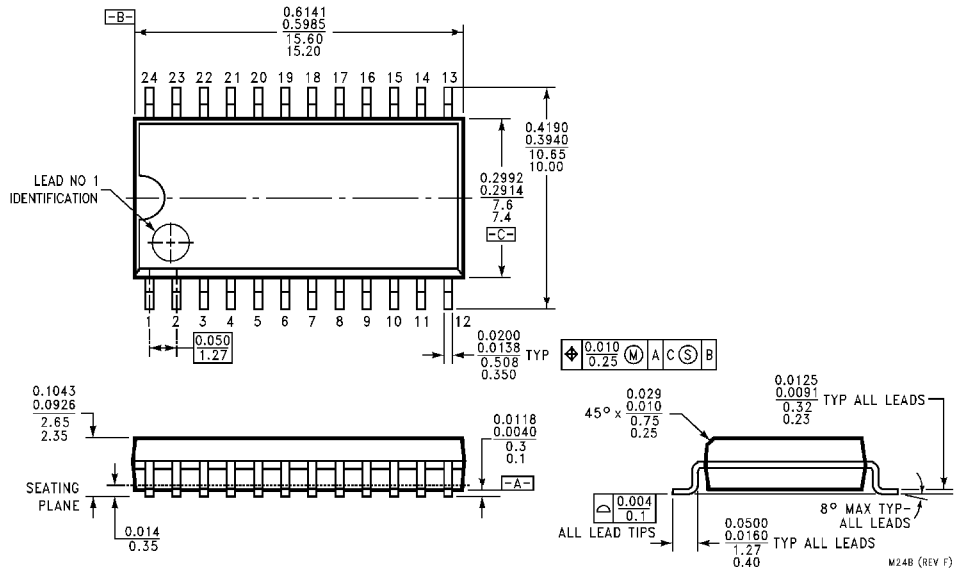
Ordering Information

The device number is used to form part of a simplified purchasing code where the package type and temperature range are defined as follows:

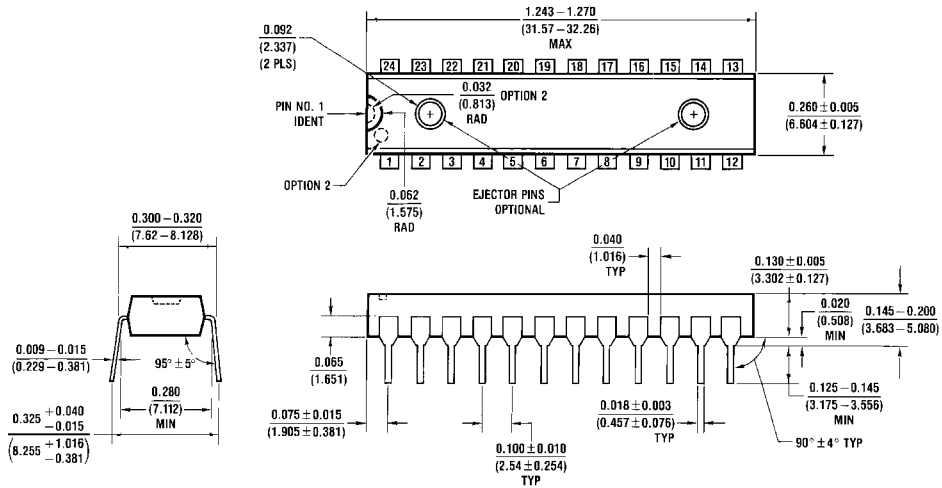


DS009606-11

Physical Dimensions inches (millimeters) unless otherwise noted



24-Lead (0.300" Wide) Molded Small Outline Package, JEDEC (S)
Package Number M24B



24-Lead (0.300" Wide) Molded Dual-In-Line Package (SP)
Package Number N24C

LIFE SUPPORT POLICY

FAIRCHILD'S PRODUCTS ARE NOT AUTHORIZED FOR USE AS CRITICAL COMPONENTS IN LIFE SUPPORT DEVICES OR SYSTEMS WITHOUT THE EXPRESS WRITTEN APPROVAL OF THE PRESIDENT OF FAIRCHILD SEMICONDUCTOR CORPORATION. As used herein:

1. Life support devices or systems are devices or systems which, (a) are intended for surgical implant into the body, or (b) support or sustain life, and (c) whose failure to perform when properly used in accordance with instructions for use provided in the labeling, can be reasonably expected to result in a significant injury to the user.
2. A critical component in any component of a life support device or system whose failure to perform can be reasonably expected to cause the failure of the life support device or system, or to affect its safety or effectiveness.

Fairchild Semiconductor Corporation Americas
Customer Response Center
Tel: 1-888-522-5372

Fairchild Semiconductor Europe
Fax: +49 (0) 1 80-530 85 86
Email: europe.support@nsc.com
Deutsch Tel: +49 (0) 8 141-35-0
English Tel: +44 (0) 1 793-85-68-56
Italy Tel: +39 (0) 2 57 5631

Fairchild Semiconductor Hong Kong Ltd.
13th Floor, Straight Block,
Ocean Centre, 5 Canton Rd.
Tsimshatsui, Kowloon
Hong Kong
Tel: +852 2737-7200
Fax: +852 2314-0061

National Semiconductor Japan Ltd.
Tel: 81-3-5620-6175
Fax: 81-3-5620-6179

www.fairchildsemi.com