



Integrated Device Technology, Inc.

# FAST CMOS OCTAL BUFFER/LINE DRIVERS

IDT54/74FCT240T/AT/CT/DT - 2240T/AT/CT  
IDT54/74FCT244T/AT/CT/DT - 2244T/AT/CT  
IDT54/74FCT540T/AT/CT  
IDT54/74FCT541/2541T/AT/CT

## FEATURES:

- **Common features:**
  - Low input and output leakage  $\leq 1\mu\text{A}$  (max.)
  - Extended commercial range of  $-40^\circ\text{C}$  to  $+85^\circ\text{C}$
  - CMOS power levels
  - True TTL input and output compatibility
    - $V_{OH} = 3.3\text{V}$  (typ.)
    - $V_{OL} = 0.3\text{V}$  (typ.)
  - Meets or exceeds JEDEC standard 18 specifications
  - Product available in Radiation Tolerant and Radiation Enhanced versions
  - Military product compliant to MIL-STD-883, Class B and DESC listed (dual marked)
  - Available in DIP, SOIC, SSOP, QSOP, TSSOP CERPACK and LCC packages
- **Features for FCT240T/FCT244T/FCT540T/FCT541T:**
  - Std., A, C and D speed grades
  - High drive outputs (-15mA IOH, 64mA IOL)
- **Features for FCT2240T/FCT2244T/FCT2541T:**
  - Std., A and C speed grades
  - Resistor outputs (-15mA IOH, 12mA IOL Com.) (-12mA IOH, 12mA IOL Mil.)
  - Reduced system switching noise

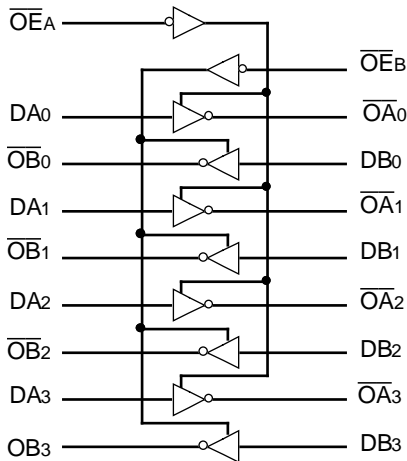
## DESCRIPTION:

The IDT octal buffer/line drivers are built using an advanced dual metal CMOS technology. The FCT240T/FCT2240T and FCT244T/FCT2244T are designed to be employed as memory and address drivers, clock drivers and bus-oriented transmitter/receivers which provide improved board density.

The FCT540T and FCT541T/FCT2541T are similar in function to the FCT240T/FCT2240T and FCT244T/FCT2244T, respectively, except that the inputs and outputs are on opposite sides of the package. This pinout arrangement makes these devices especially useful as output ports for microprocessors and as backplane drivers, allowing ease of layout and greater board density.

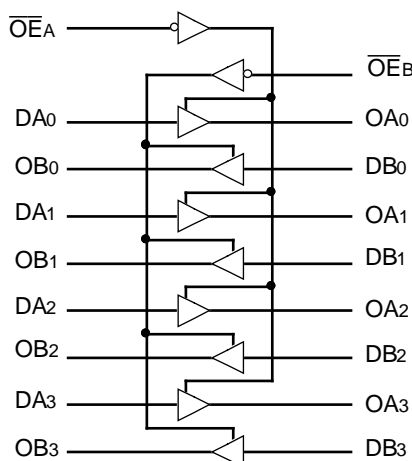
The FCT2240T, FCT2244T and FCT2541T have balanced output drive with current limiting resistors. This offers low ground bounce, minimal undershoot and controlled output fall times-reducing the need for external series terminating resistors. FCT2xxxT parts are plug-in replacements for FCTxxxT parts.

## FUNCTIONAL BLOCK DIAGRAMS



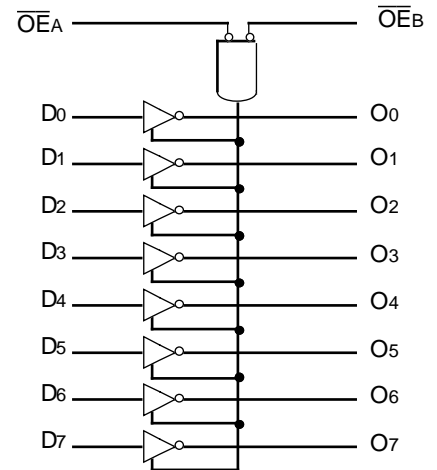
FCT240/2240T

2565 drw 01



FCT244/2244T

2565 drw 02



FCT540/541/2541T

2565 drw 03

\*Logic diagram shown for 'FCT540.  
'FCT541/2541T is the non-inverting option.

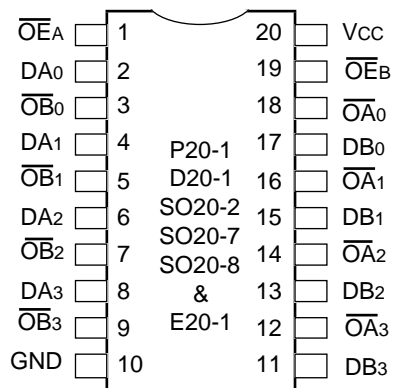
The IDT logo is a registered trademark of Integrated Device Technology, Inc.

MILITARY AND INDUSTRIAL TEMPERATURE RANGES

SEPTEMBER 1996

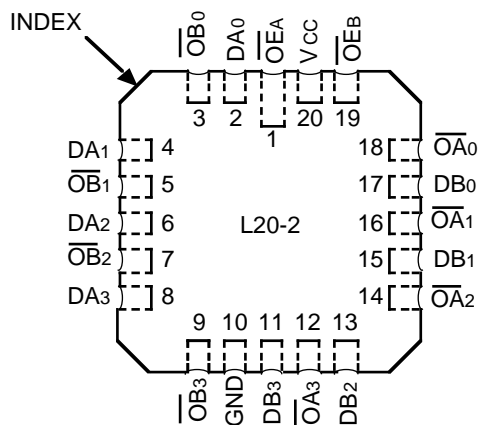
## PIN CONFIGURATIONS

### FCT240/2240T



DIP/SOIC/SSOP/QSOP/CERPACK  
TOP VIEW

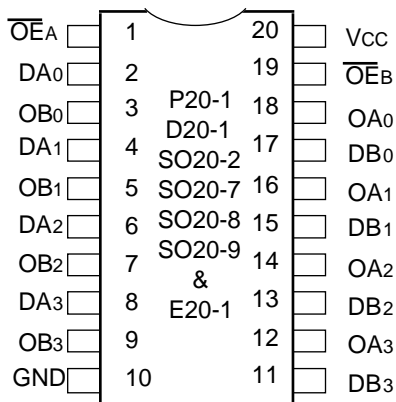
2565 drw 04



LCC  
TOP VIEW

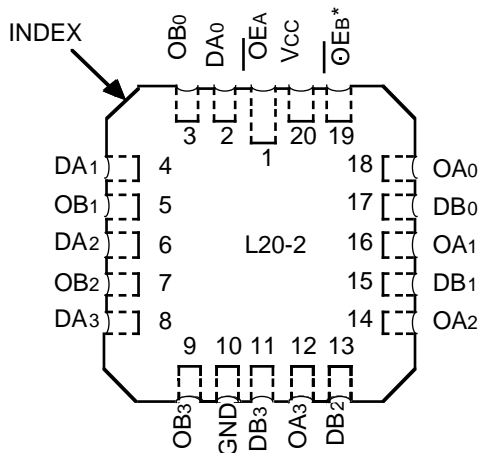
2565 drw 07

### FCT244/2244T



DIP/SOIC/SSOP/QSOP/  
TSSOP/CERPACK  
TOP VIEW

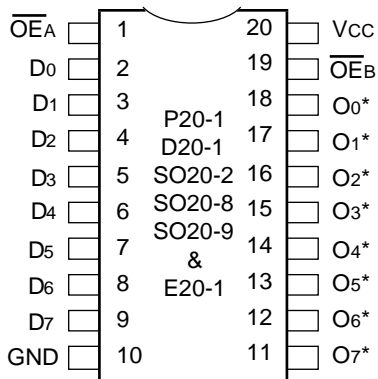
2565 drw 05



LCC  
TOP VIEW

2565 drw 08

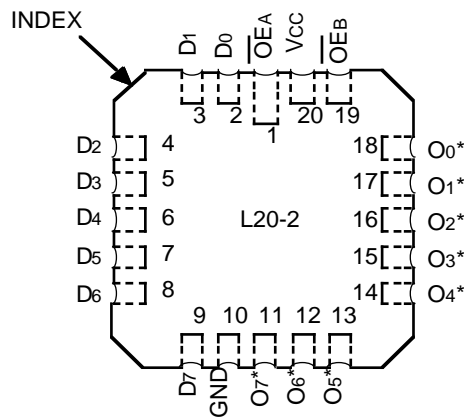
### FCT540/541/2541T



DIP/SOIC/QSOP/  
TSSOP/CERPACK  
TOP VIEW

\*O<sub>x</sub> for 540, O<sub>x</sub> for 541/2541T

2565 drw 06



LCC  
TOP VIEW

2565 drw 09

### PIN DESCRIPTION

Pin Names	Description
$\overline{OE}_A$ , $\overline{OE}_B$	3-State Output Enable Inputs (Active LOW)
Dxx	Inputs
Oxx	Outputs

2565 tbl 01

### FUNCTION TABLE

Inputs <sup>(1)</sup>			Outputs <sup>(1)</sup>			
$\overline{OE}_A$	$\overline{OE}_B$	D	240	244	540	541
L	L	L	H	L	H	L
L	L	H	L	H	L	H
H	H	X	Z	Z	Z	Z

**NOTES:**

- H = High Voltage Level  
 X = Don't Care  
 L = Low Voltage Level  
 Z = High Impedance

2565 tbl 02

### ABSOLUTE MAXIMUM RATINGS<sup>(1)</sup>

Symbol	Description	Max.	Unit
VTERM <sup>(2)</sup>	Terminal Voltage with Respect to GND	-0.5 to +7.0	V
VTERM <sup>(3)</sup>	Terminal Voltage with Respect to GND	-0.5 to V <sub>CC</sub> +0.5	V
TSTG	Storage Temperature	-65 to +150	°C
I <sub>OUT</sub>	DC Output Current	-60 to +120	mA

2565 lmk 03

**NOTES:**

- Stresses greater than those listed under ABSOLUTE MAXIMUM RATINGS may cause permanent damage to the device. This is a stress rating only and functional operation of the device at these or any other conditions above those indicated in the operational sections of this specification is not implied. Exposure to absolute maximum rating conditions for extended periods may affect reliability. No terminal voltage may exceed V<sub>CC</sub> by +0.5V unless otherwise noted.
- Input and V<sub>CC</sub> terminals only.
- Outputs and I/O terminals only.

### CAPACITANCE (T<sub>A</sub> = +25°C, f = 1.0MHz)

Symbol	Parameter <sup>(1)</sup>	Conditions	Typ.	Max.	Unit
C <sub>IN</sub>	Input Capacitance	V <sub>IN</sub> = 0V	6	10	pF
C <sub>OUT</sub>	Output Capacitance	V <sub>OUT</sub> = 0V	8	12	pF

**NOTE:**

- This parameter is measured at characterization but not tested.

2565 lmk 04

## DC ELECTRICAL CHARACTERISTICS OVER OPERATING RANGE

Following Conditions Apply Unless Otherwise Specified:

Commercial:  $T_A = -40^{\circ}\text{C}$  to  $+85^{\circ}\text{C}$ ,  $V_{CC} = 5.0\text{V} \pm 5\%$ ; Military:  $T_A = -55^{\circ}\text{C}$  to  $+125^{\circ}\text{C}$ ,  $V_{CC} = 5.0\text{V} \pm 10\%$

Symbol	Parameter	Test Conditions <sup>(1)</sup>		Min.	Typ. <sup>(2)</sup>	Max.	Unit
$V_{IH}$	Input HIGH Level	Guaranteed Logic HIGH Level		2.0	—	—	V
$V_{IL}$	Input LOW Level	Guaranteed Logic LOW Level		—	—	0.8	V
$I_{IH}$	Input HIGH Current <sup>(4)</sup>	$V_{CC} = \text{Max.}$	$V_I = 2.7\text{V}$	—	—	$\pm 1$	$\mu\text{A}$
$I_{IL}$	Input LOW Current <sup>(4)</sup>		$V_I = 0.5\text{V}$	—	—	$\pm 1$	
$I_{OZH}$	High Impedance Output Current (3-State Output pins) <sup>(4)</sup>	$V_{CC} = \text{Max.}$	$V_O = 2.7\text{V}$	—	—	$\pm 1$	$\mu\text{A}$
$I_{OZL}$			$V_O = 0.5\text{V}$	—	—	$\pm 1$	
$I_I$	Input HIGH Current <sup>(4)</sup>	$V_{CC} = \text{Max.}, V_I = V_{CC} (\text{Max.})$		—	—	$\pm 1$	$\mu\text{A}$
$V_{IK}$	Clamp Diode Voltage	$V_{CC} = \text{Min.}, I_{IN} = -18\text{mA}$		—	-0.7	-1.2	V
$V_H$	Input Hysteresis	—		—	200	—	mV
$I_{CC}$	Quiescent Power Supply Current	$V_{CC} = \text{Max.}, V_{IN} = \text{GND or } V_{CC}$		—	0.01	1	mA

2565 Ink 05

## OUTPUT DRIVE CHARACTERISTICS FOR FCT240/244/540/541T

Symbol	Parameter	Test Conditions <sup>(1)</sup>		Min.	Typ. <sup>(2)</sup>	Max.	Unit
$V_{OH}$	Output HIGH Voltage	$V_{CC} = \text{Min.}$ $V_{IN} = V_{IH} \text{ or } V_{IL}$	$I_{OH} = -6\text{mA MIL.}$ $I_{OH} = -8\text{mA COM'L.}$	2.4	3.3	—	V
			$I_{OH} = -12\text{mA MIL.}$ $I_{OH} = -15\text{mA COM'L.}$	2.0	3.0	—	V
$V_{OL}$	Output LOW Voltage	$V_{CC} = \text{Min.}$ $V_{IN} = V_{IH} \text{ or } V_{IL}$	$I_{OL} = 48\text{mA MIL.}$ $I_{OL} = 64\text{mA COM'L.}$	—	0.3	0.55	V
$I_{OS}$	Short Circuit Current	$V_{CC} = \text{Max.}, V_O = \text{GND}^{(3)}$		-60	-120	-225	mA

2565 Ink 06

## OUTPUT DRIVE CHARACTERISTICS FOR FCT2240/2244/2541T

Symbol	Parameter	Test Conditions <sup>(1)</sup>		Min.	Typ. <sup>(2)</sup>	Max.	Unit
$I_{ODL}$	Output LOW Current	$V_{CC} = 5\text{V}, V_{IN} = V_{IH} \text{ or } V_{IL}, V_{OUT} = 1.5\text{V}^{(3)}$		16	48	—	mA
$I_{ODH}$	Output HIGH Current	$V_{CC} = 5\text{V}, V_{IN} = V_{IH} \text{ or } V_{IL}, V_{OUT} = 1.5\text{V}^{(3)}$		-16	-48	—	mA
$V_{OH}$	Output HIGH Voltage	$V_{CC} = \text{Min.}$ $V_{IN} = V_{IH} \text{ or } V_{IL}$	$I_{OH} = -12\text{mA MIL.}$ $I_{OH} = -15\text{mA COM'L.}$	2.4	3.3	—	V
$V_{OL}$	Output LOW Voltage	$V_{CC} = \text{Min.}$ $V_{IN} = V_{IH} \text{ or } V_{IL}$	$I_{OL} = 12\text{mA}$	—	0.3	0.50	V

2565 Ink 07

### NOTES:

- For conditions shown as Max. or Min., use appropriate value specified under Electrical Characteristics for the applicable device type.
- Typical values are at  $V_{CC} = 5.0\text{V}$ ,  $+25^{\circ}\text{C}$  ambient.
- Not more than one output should be shorted at one time. Duration of the short circuit test should not exceed one second.
- The test limit for this parameter is  $\pm 5\mu\text{A}$  at  $T_A = -55^{\circ}\text{C}$ .

## POWER SUPPLY CHARACTERISTICS

Symbol	Parameter	Test Conditions <sup>(1)</sup>			Min.	Typ. <sup>(2)</sup>	Max.	Unit
$\Delta I_{CC}$	Quiescent Power Supply Current TTL Inputs HIGH	$V_{CC} = \text{Max.}$ $V_{IN} = 3.4V^{(3)}$			—	0.5	2.0	mA
$I_{CCD}$	Dynamic Power Supply Current <sup>(4)</sup>	$V_{CC} = \text{Max.}$ Outputs Open $\overline{OE}_A = \overline{OE}_B = \text{GND}$ One Input Toggling 50% Duty Cycle	$V_{IN} = V_{CC}$ $V_{IN} = \text{GND}$	FCTxxxT	—	0.15	0.25	mA/ MHz
				FCT2xxxT	—	0.06	0.12	
$I_C$	Total Power Supply Current <sup>(6)</sup>	$V_{CC} = \text{Max.}$ Outputs Open $f_i = 10\text{MHz}$ 50% Duty Cycle $\overline{OE}_A = \overline{OE}_B = \text{GND}$ One Bit Toggling	$V_{IN} = V_{CC}$ $V_{IN} = \text{GND}$	FCTxxxT	—	1.5	3.5	mA
				FCT2xxxT	—	0.6	2.2	
		$V_{IN} = 3.4$	FCTxxxT	—	1.8	4.5		
			FCT2xxxT	—	0.9	3.2		
		$V_{CC} = \text{Max.}$ Outputs Open $f_i = 2.5\text{MHz}$ 50% Duty Cycle $\overline{OE}_A = \overline{OE}_B = \text{GND}$ Eight Bits Toggling	$V_{IN} = V_{CC}$ $V_{IN} = \text{GND}$	FCTxxxT	—	3.0	6.0 <sup>(5)</sup>	
				FCT2xxxT	—	1.2	3.4 <sup>(5)</sup>	
			$V_{IN} = 3.4$	FCTxxxT	—	5.0	14.0 <sup>(5)</sup>	
FCT2xxxT	—	3.2		11.4 <sup>(5)</sup>				

### NOTES:

- For conditions shown as Max. or Min., use appropriate value specified under Electrical Characteristics for the applicable device type.
- Typical values are at  $V_{CC} = 5.0V$ ,  $+25^\circ\text{C}$  ambient.
- Per TTL driven input ( $V_{IN} = 3.4V$ ). All other inputs at  $V_{CC}$  or  $\text{GND}$ .
- This parameter is not directly testable, but is derived for use in Total Power Supply Calculations.
- Values for these conditions are examples of the  $I_{CC}$  formula. These limits are guaranteed but not tested.
- $I_C = I_{QUIESCENT} + I_{INPUTS} + I_{DYNAMIC}$   
 $I_C = I_{CC} + \Delta I_{CC} D_H N_T + I_{CCD} (f_{CP}/2 + f_i N_i)$   
 $I_{CC}$  = Quiescent Current  
 $\Delta I_{CC}$  = Power Supply Current for a TTL High Input ( $V_{IN} = 3.4V$ )  
 $D_H$  = Duty Cycle for TTL Inputs High  
 $N_T$  = Number of TTL Inputs at  $D_H$   
 $I_{CCD}$  = Dynamic Current Caused by an Input Transition Pair (HLH or LHL)  
 $f_{CP}$  = Clock Frequency for Register Devices (Zero for Non-Register Devices)  
 $f_i$  = Input Frequency  
 $N_i$  = Number of Inputs at  $f_i$   
 All currents are in milliamps and all frequencies are in megahertz.

2565 tbl 08

**SWITCHING CHARACTERISTICS OVER OPERATING RANGE FOR FCT240/2240T**

Symbol	Parameter	Condition <sup>(1)</sup>	FCT240T FCT2240T				FCT240AT FCT2240AT				Unit
			Com'l.		Mil.		Com'l.		Mil.		
			Min. <sup>(2)</sup>	Max.	Min. <sup>(2)</sup>	Max.	Min. <sup>(2)</sup>	Max.	Min. <sup>(2)</sup>	Max.	
tPLH tPHL	Propagation Delay DN to $\overline{ON}$	CL = 50pF RL = 500Ω	1.5	8.0	1.5	9.0	1.5	4.8	1.5	5.1	ns
tPZH tPZL	Output Enable Time		1.5	10.0	1.5	10.5	1.5	6.2	1.5	6.5	ns
tPHZ tPLZ	Output Disable Time		1.5	9.5	1.5	10.0	1.5	5.6	1.5	5.9	ns

2565 tbl 09

Symbol	Parameter	Condition <sup>(1)</sup>	FCT240CT FCT2240CT				FCT240DT				Unit
			Com'l.		Mil.		Com'l.		Mil.		
			Min. <sup>(2)</sup>	Max.	Min. <sup>(2)</sup>	Max.	Min. <sup>(2)</sup>	Max.	Min. <sup>(2)</sup>	Max.	
tPLH tPHL	Propagation Delay DN to $\overline{ON}$	CL = 50pF RL = 500Ω	1.5	4.3	1.5	4.7	1.5	3.6	—	—	ns
tPZH tPZL	Output Enable Time		1.5	5.8	1.5	6.5	1.5	4.8	—	—	ns
tPHZ tPLZ	Output Disable Time		1.5	5.2	1.5	5.7	1.5	4.0	—	—	ns

2565 tbl 10

**SWITCHING CHARACTERISTICS OVER OPERATING RANGE FOR FCT244/2244T**

Symbol	Parameter	Condition <sup>(1)</sup>	FCT244T FCT2244T				FCT244AT FCT2244AT				Unit
			Com'l.		Mil.		Com'l.		Mil.		
			Min. <sup>(2)</sup>	Max.	Min. <sup>(2)</sup>	Max.	Min. <sup>(2)</sup>	Max.	Min. <sup>(2)</sup>	Max.	
tPLH tPHL	Propagation Delay DN to ON	CL = 50pF RL = 500Ω	1.5	6.5	1.5	7.0	1.5	4.8	1.5	5.1	ns
tPZH tPZL	Output Enable Time		1.5	8.0	1.5	8.5	1.5	6.2	1.5	6.5	ns
tPHZ tPLZ	Output Disable Time		1.5	7.0	1.5	7.5	1.5	5.6	1.5	5.9	ns

2565 tbl 11

Symbol	Parameter	Condition <sup>(1)</sup>	FCT244CT FCT2244CT				FCT244DT				Unit
			Com'l.		Mil.		Com'l.		Mil.		
			Min. <sup>(2)</sup>	Max.	Min. <sup>(2)</sup>	Max.	Min. <sup>(2)</sup>	Max.	Min. <sup>(2)</sup>	Max.	
tPLH tPHL	Propagation Delay DN to ON	CL = 50pF RL = 500Ω	1.5	4.1	1.5	4.6	1.5	3.6	—	—	ns
tPZH tPZL	Output Enable Time		1.5	5.8	1.5	6.5	1.5	4.8	—	—	ns
tPHZ tPLZ	Output Disable Time		1.5	5.2	1.5	5.7	1.5	4.0	—	—	ns

2565 tbl 12

**NOTES:**

1. See test circuit and waveforms.
2. Minimum limits are guaranteed but not tested on Propagation Delays.

**SWITCHING CHARACTERISTICS OVER OPERATING RANGE FOR FCT540/541/2541T**

Symbol	Parameter	Condition <sup>(1)</sup>	FCT540T/541T FCT2541T				FCT540AT/541AT FCT2541AT				FCT540CT/541CT FCT2541CT				Unit
			Com'l.		Mil.		Com'l.		Mil.		Com'l.		Mil.		
			Min. <sup>(2)</sup>	Max.	Min. <sup>(2)</sup>	Max.	Min. <sup>(2)</sup>	Max.	Min. <sup>(2)</sup>	Max.	Min. <sup>(2)</sup>	Max.	Min. <sup>(2)</sup>	Max.	
t <sub>PLH</sub> t <sub>PHL</sub>	Propagation Delay DN to ON FCT540T	CL = 50pF RL = 500Ω	1.5	8.5	1.5	9.5	1.5	4.8	1.5	5.1	1.5	4.3	1.5	4.7	ns
t <sub>PLH</sub> t <sub>PHL</sub>	Propagation Delay DN to ON FCT541/2541T		1.5	8.0	1.5	9.0	1.5	4.8	1.5	5.1	1.5	4.1	1.5	4.6	ns
t <sub>PZH</sub> t <sub>PZL</sub>	Output Enable Time		1.5	10.0	1.5	10.5	1.5	6.2	1.5	6.5	1.5	5.8	1.5	6.5	ns
t <sub>PHZ</sub> t <sub>PLZ</sub>	Output Disable Time		1.5	9.5	1.5	10.0	1.5	5.6	1.5	5.9	1.5	5.2	1.5	5.7	ns

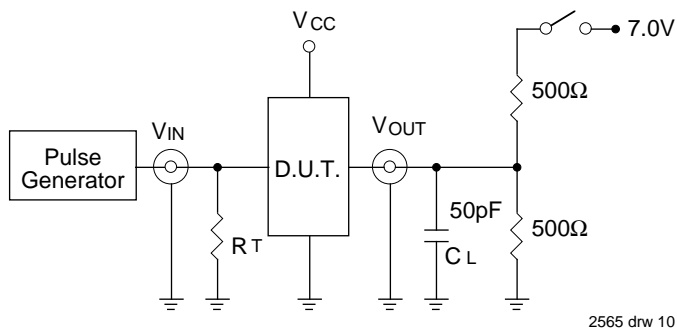
**NOTES:**

1. See test circuit and waveforms.
2. Minimum limits are guaranteed but not tested on Propagation Delays.

2565 tbl 13

## TEST CIRCUITS AND WAVEFORMS

### TEST CIRCUITS FOR ALL OUTPUTS



### SWITCH POSITION

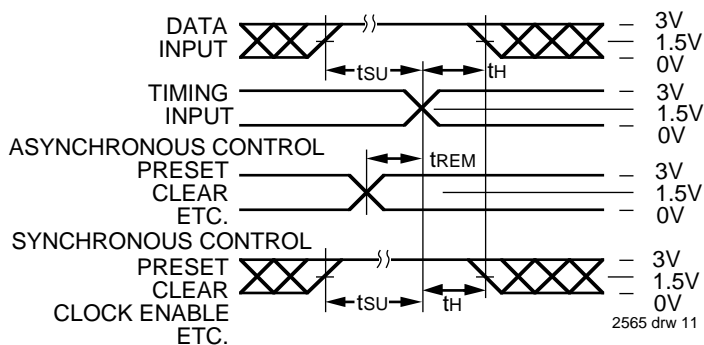
Test	Switch
Open Drain Disable Low Enable Low	Closed
All Other Tests	Open

2565 drw 14

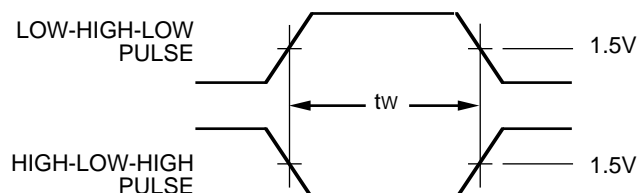
#### DEFINITIONS:

CL= Load capacitance: includes jig and probe capacitance.  
 RT= Termination resistance: should be equal to ZOUT of the Pulse Generator.

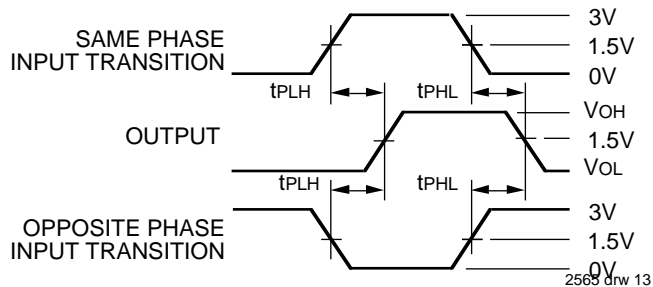
### SET-UP, HOLD AND RELEASE TIMES



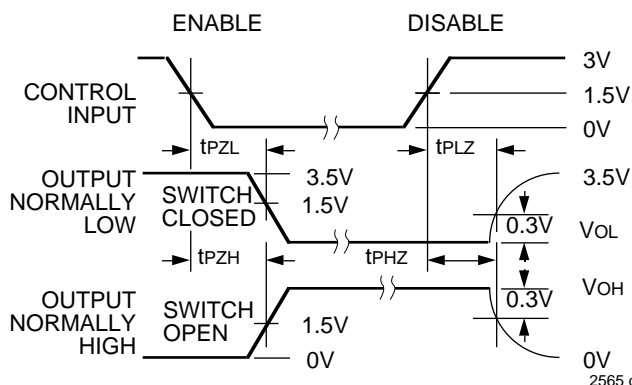
### PULSE WIDTH



### PROPAGATION DELAY



### ENABLE AND DISABLE TIMES



#### NOTES:

1. Diagram shown for input Control Enable-LOW and input Control Disable-HIGH
2. Pulse Generator for All Pulses: Rate  $\leq$  1.0MHz;  $t_f \leq$  2.5ns;  $t_r \leq$  2.5ns



**ORDERING INFORMATION**

IDT	XX	FCT	X	XXXX	X	X	
Temp. Range	Family	Device Type	Package	Process			
						Blank	Commercial
						B	MIL-STD-883, Class B
						P	Plastic DIP (P20-1)
						D	CERDIP (D20-1)
						SO	Small Outline IC (SO20-2)
						L	Leadless Chip Carrier (L20-2)
						E	CERPACK (E20-1)
						PY	Shrink Small Outline Package (SO20-7)
						Q	Quarter-size Small Outline Package (SO20-8)
						PG	Thin Shrink Small Outline Package (SO20-9)
						240T	Inverting Octal Buffer/Line Driver
						244T	Non-Inverting Octal Buffer/Line Driver
						540T	Non-Inverting Octal Buffer/Line Driver
						541T	Inverting Octal Buffer/Line Driver
						240AT	Non-Inverting Octal Buffer/Line Driver
						244AT	
						540AT	
						541AT	
						240CT	
						244CT	
						540CT	
						541CT	
						240DT	
						244DT	
						Blank	High Drive
						2	Balanced Drive
						54	-55°C to +125°C
						74	-40°C to +85°C

2565 drw 15