

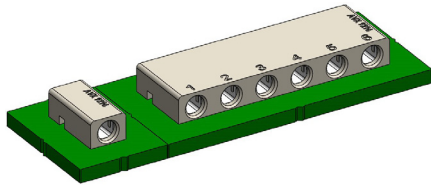
POKE-HOME: HORIZONTAL CONNECTOR 4MM PITCH

18-26AWG 9296-400



9296-400

GENERAL DESCRIPTION



KYOCERA AVX Interconnect continues to develop unique connectors to support market needs. Many product designs must accommodate small numbers of discrete wires connecting components to PCBs; the new 9296-400 series meets this challenge by providing quick and reliable wire-to-board terminations. Its compact SMT package: 4mm pitch, 3mm height, 1 to 6 positions; makes it ideal for a broad range of industrial and commercial applications. Wires are easily terminated with a simple strip and insertion step. This cost-effective connector enables easy assembly in factory settings or field termination by electrical installers for non-UL applications.

Developed for various industrial applications, the connector integrates the already proven 2.5mm dual beam poke-home contact into a connector housing. Dual spring Phosphor Bronze contact accepts a wide range (18-26AWG solid or stranded) of wire to accommodate any wire combination within a single connector. Optional version with pass-through holes and no wire stop contacts allow mating with KYOCERA AVX jumper pins. Optional visibility windows allow visual verification of full wire insertion.

APPLICATIONS

- Machine Controls: motors, drives, solenoids, sensors, fans and pumps
- Commercial Buildings: controls, security, fire and sensors
- Smart Grid: meters, breakers and panels
- SSL/LED: bulbs, fixtures, signage and streetlights

ELECTRICAL

- Current Rating: See matrix below
- Voltage Rating: 600 VAC(RMS) or VDC

ENVIRONMENTAL

- Operating Temperature: -40°C to +130°C

MECHANICAL

- Insulator Material: Glass-Filled Nylon 46; halogen free; UL94V-0 rated
- Contact Material: Phosphor Bronze
- Plating: Lead-free Tin
- Durability: 5 Cycles

FEATURES AND BENEFITS

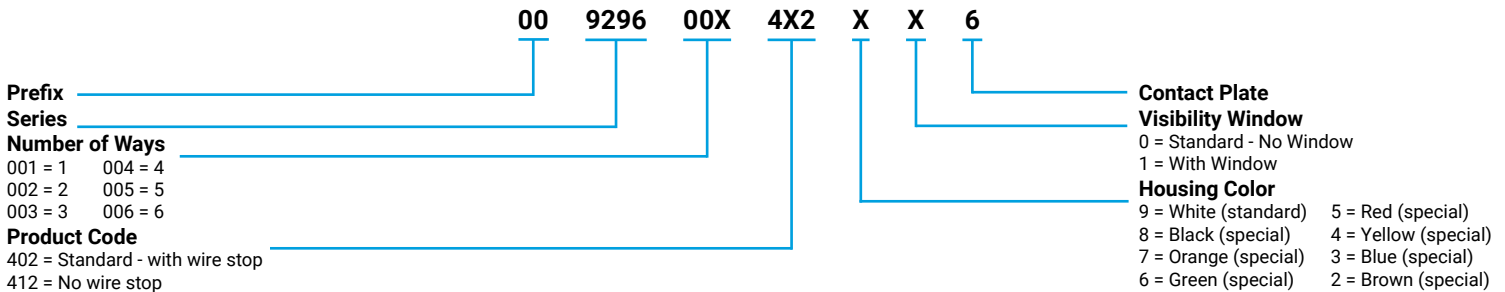
- Simple strip and poke-home wire insertion with easy twist and pull wire extraction
- 3mm height achieves the lowest height possible for this AWG range
- Accepts 18-26 AWG solid and stranded wires or jumper pins
- Dual spring beam box contact provides maximum mechanical stability and wire retention
- Optional visibility windows allow visual verification of full wire insertion.
- UL approved

CURRENT RATING

	18AWG	20AWG	22AWG	24AWG	26AWG	Jumper
UL	10A	9A	8A	7	6A	6.5A
cUL	8A	7A	6A	5A	4A	4.5A

Certification: UL File #E90723

HOW TO ORDER

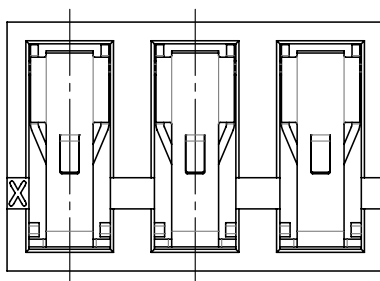
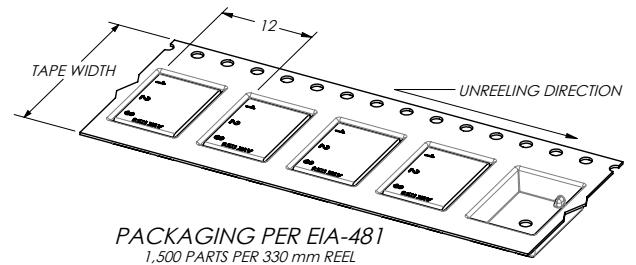
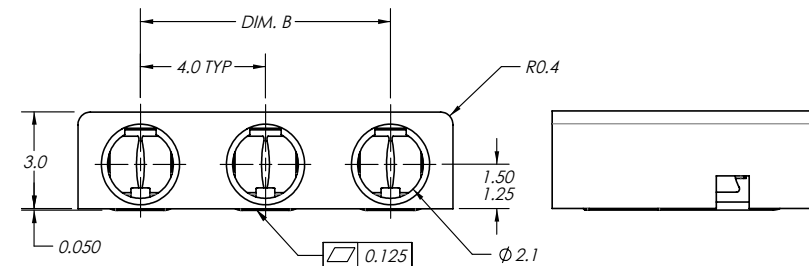
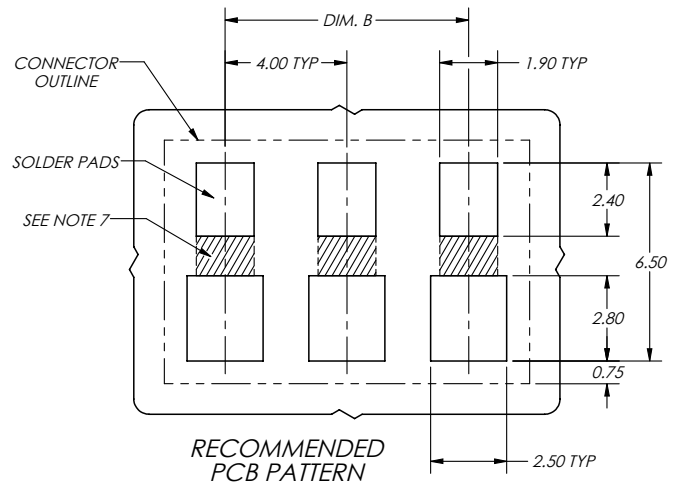
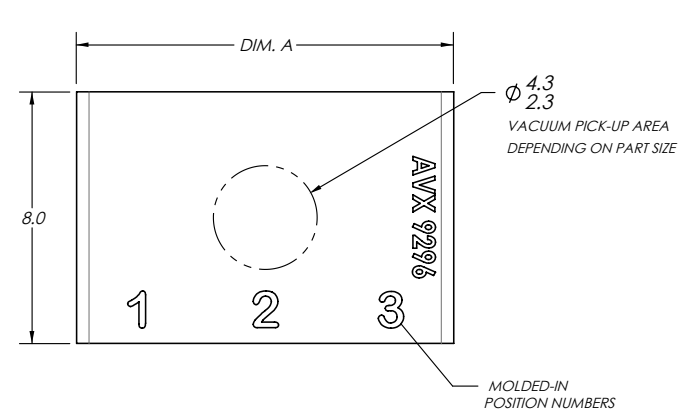
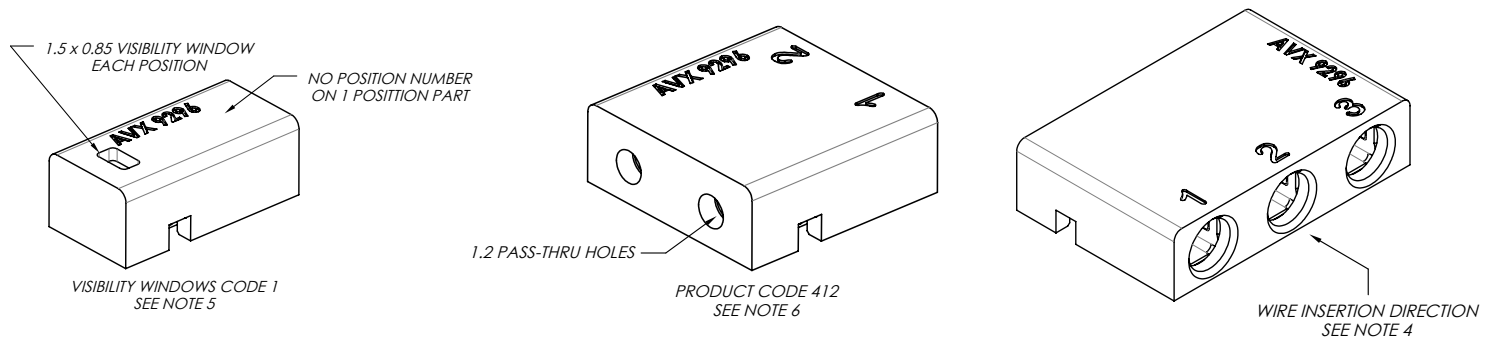


POKE-HOME: HORIZONTAL CONNECTOR 4MM PITCH

18-26AWG 9296-400



9296-400



NOTES:

1. HOUSING MATERIAL: GLASS-FILLED, HIGH TEMP. NYLON; FLAME RETARDANT PER UL94-V0, HALOGEN FREE, COLOR PER P.N. CODE.
2. CONTACT MATERIAL: HIGH STRENGTH COPPER ALLOY; LEAD-FREE TIN PLATING.
3. FOR FURTHER INFORMATION, SEE KAVX PRODUCTS SPEC 201-01-230 AND APPLICATION NOTES 201-01-167.
4. WIRE STRIP LENGTH TO BE 0.5 ± 0.5 mm. STRANDED WIRE SHOULD BE PROPERLY TWISTED AND/OR PROPER FUNCTIONALITY.
5. VISIBILITY WINDOWS, IF SPECIFIED, ALLOW VISUAL VERIFICATION OF FULL WIRE INSERTION.
6. PASS-THROUGH HOLES ALLOW MATING WITH KAVX JUMPER PIN PART NUMBER 10-9296-00X-XXX-906, REGARDLESS OF PIN LENGTH.
7. SHADED AREA MAY BE COPPER COVERED WITH SOLDIER RESIST TO PRODUCT TWO SEPARATE SOLDER PADS PER CONTACT.
8. UL REFERENCE E90723 (US AND CANADA).