

NOTES.

1. MATERIAL : SEE TABLE

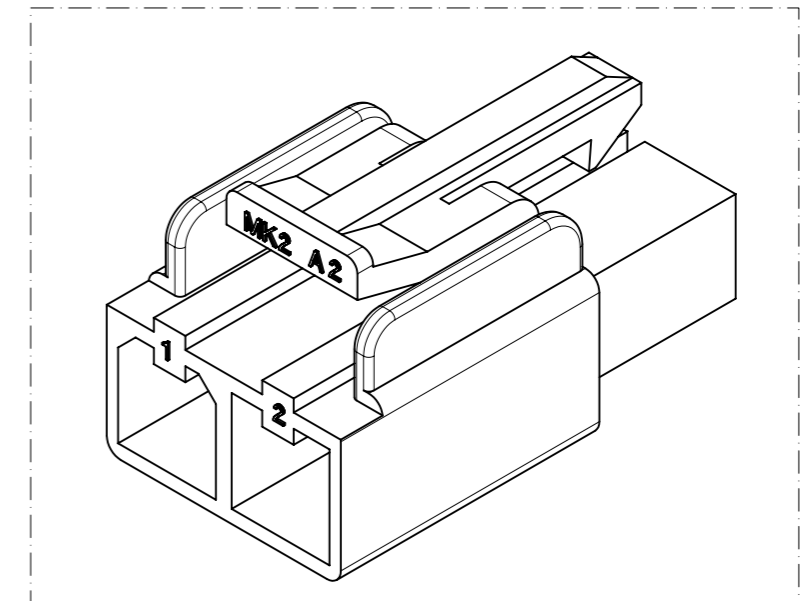
N	PRODUCT		MATERIAL	
	PART NO	MATERIAL NO	COLOR	DESCRIPTION
1	35151-0210	351510210	NATURAL	PBT UL94V-0
2	35151-0211	351510211	BLACK	
3	35151-0212	351510212	RED	
4	35151-0214	351510214	BLUE	PC/PET UL94V-0
5	35151-0219	351510219	NATURAL	
6	35151-2219	351512219	RED	
7	35151-3219	351513219	YELLOW	
8	35151-4219	351514219	BLUE	

2. MATED HOUSING : 35150-020*, 35150-021*

3. APPLICABLE TERMINAL : 35746-0*10

4. APPLICABLE T.P.A : 35150-0290

5. PRODUCT SPECIFICATION : PS-35150-001



FUNCTIONAL SYMBOLS	THIS DRAWING CONTAINS INFORMATION THAT IS PROPRIETARY TO MOLEX ELECTRONIC TECHNOLOGIES, LLC AND SHOULD NOT BE USED WITHOUT WRITTEN PERMISSION		CURRENT REV DESC:		molex	
	▽A = 0	DIMENSION UNITS: mm	SCALE: 3:1			
▽E = 0	GENERAL TOLERANCES (UNLESS SPECIFIED)			EC NO: 648465 DRWN: SCHONG03 CHK'D: JDPARK01 APPR: YUNSIKKIM		6.2 PITCH W/W CONN FEMALE HSG-2P
▽P = 0	ANGULAR TOL ± 1.0°					
DIVISIONAL SYMBOLS	4 PLACES ±	DRWN: RFC_PLMIMP		2019/07/09	PRODUCT CUSTOMER DRAWING	
	3 PLACES ±	APPR: YUNSIKKIM		2020/11/05		
	2 PLACES ±	INITIAL REVISION:		2020/11/05	DOCUMENT NUMBER: SD-35151-021X DOC TYPE: PSD DOC PART: 001 REVISION: J	
	1 PLACE ± 0.3	DRWN: RFC_PLMIMP		2018/12/06		
	0 PLACES ±	APPR: YUNSIKKIM		2007/09/10		
DRAFT WHERE APPLICABLE MUST REMAIN WITHIN DIMENSIONS		THIRD ANGLE PROJECTION	DRAWING: A3-SIZE	SERIES: 35151	MATERIAL NUMBER: SEE TABLE	CUSTOMER: GENERAL MARKET