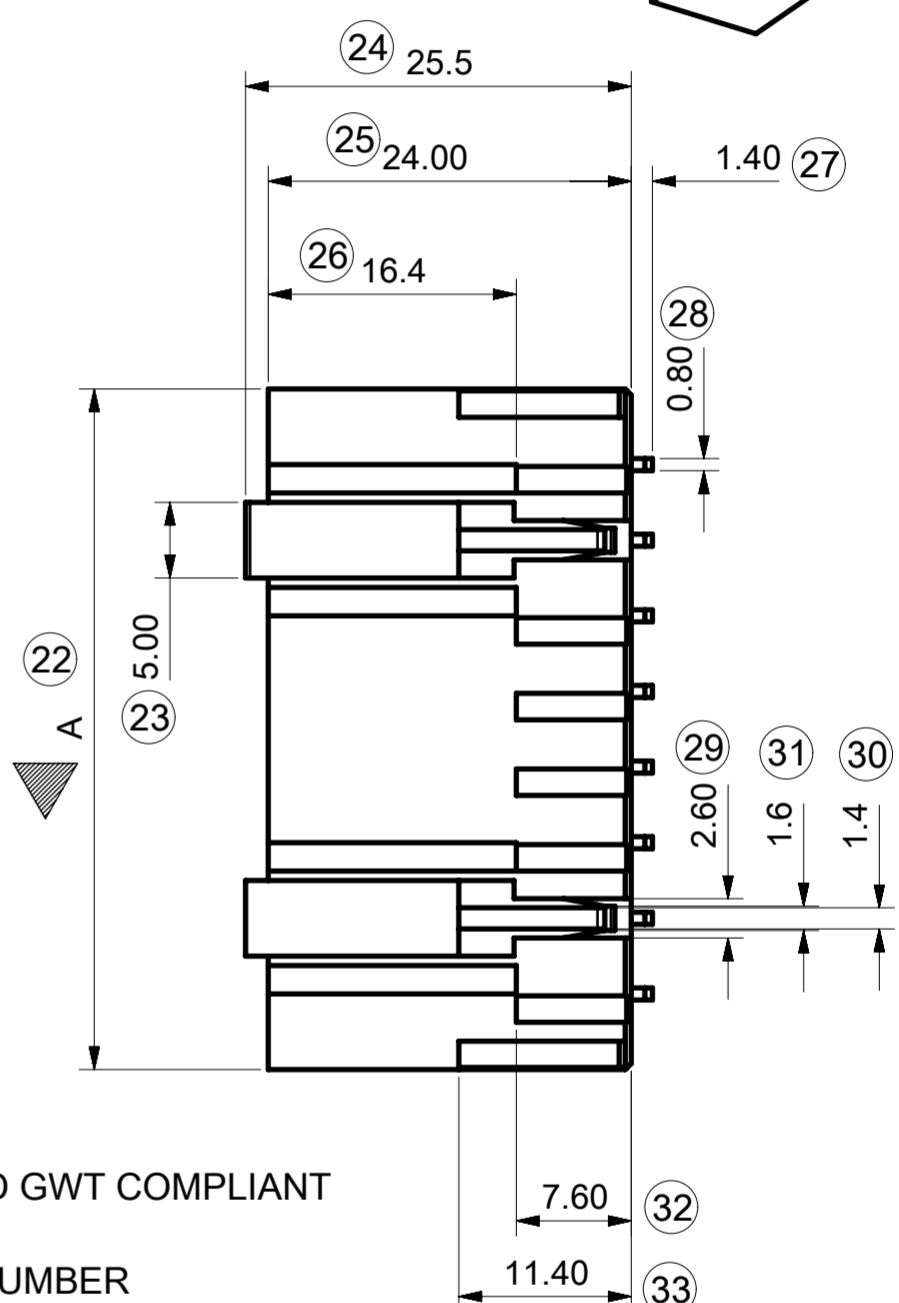
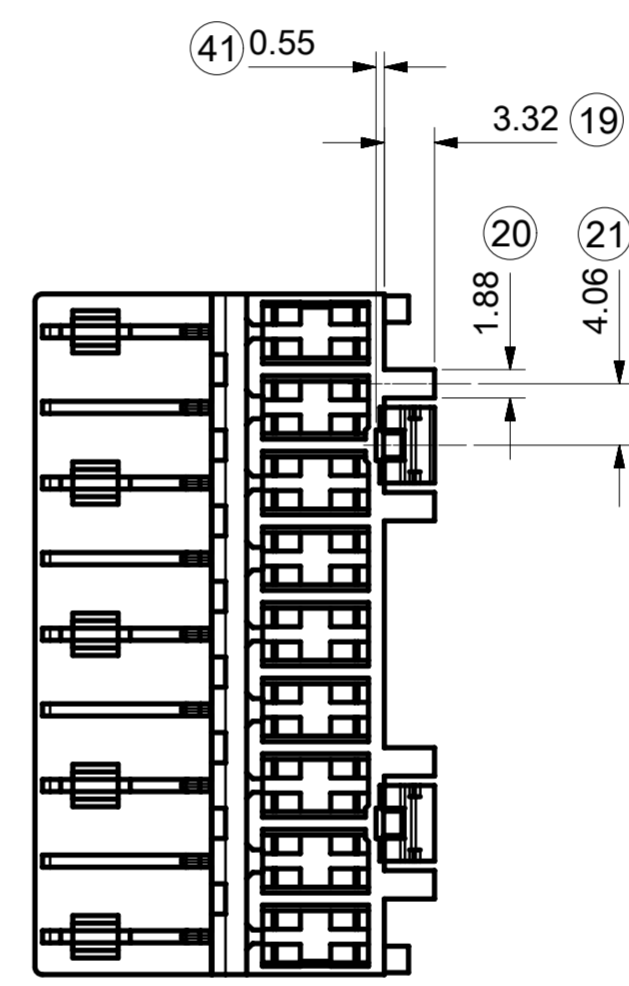
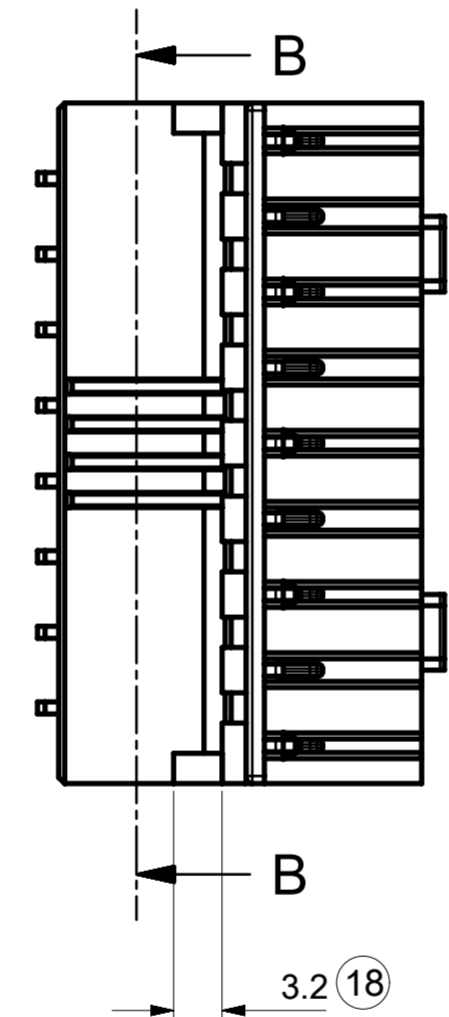
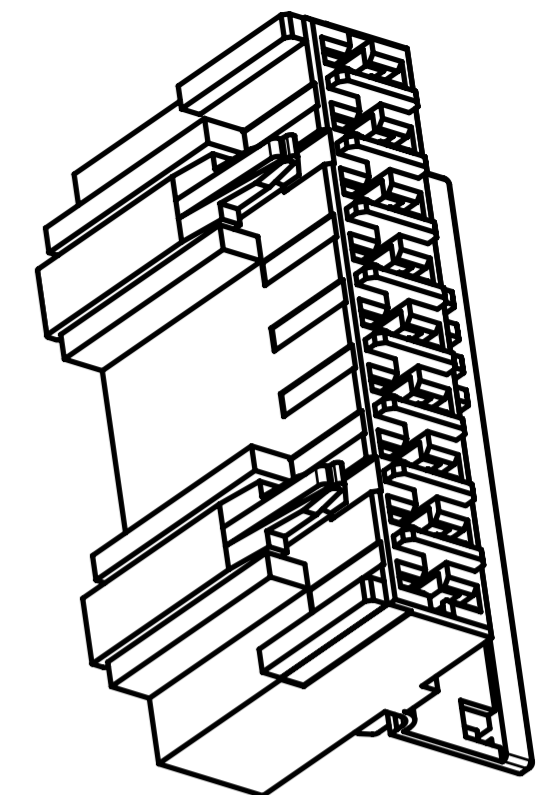


DETAIL H
SCALE 5:1

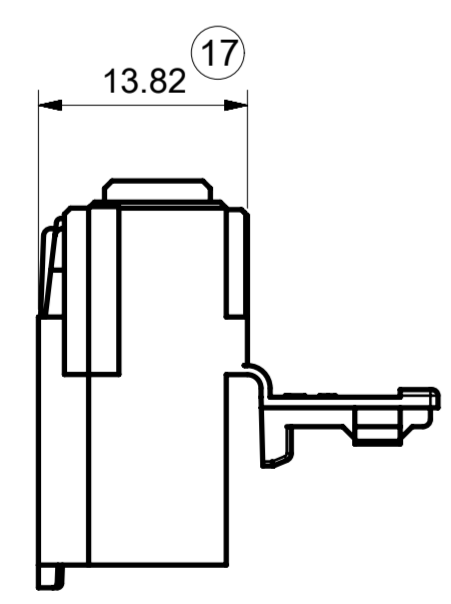


TAB LOCKING FEATURE
SEE NOTE 3

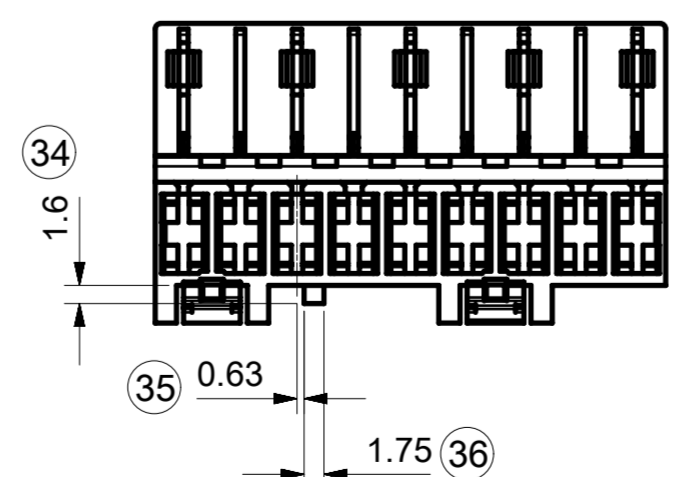


- NOTE
1. MATERIAL : 93250-**** PA 66 HWI AND GWT COMPLIANT
 2. SEE SHEET 2 FOR CODING/LATCH CONFIGURATION FOR EACH PART NUMBER
 3. SEE SHEET 2-3 FOR TAB LOCKING FEATURE QUANTITY PER CIRCUIT SIZE
 4. PRODUCT SPECIFICATION : PS-93250-001
 5. PACKAGING SPECIFICATION : PK-93250-001

INSPECTION NO. USED : 1-99
LAST INSPECTION USED : 62
DELETED INSPECTION NO : 5



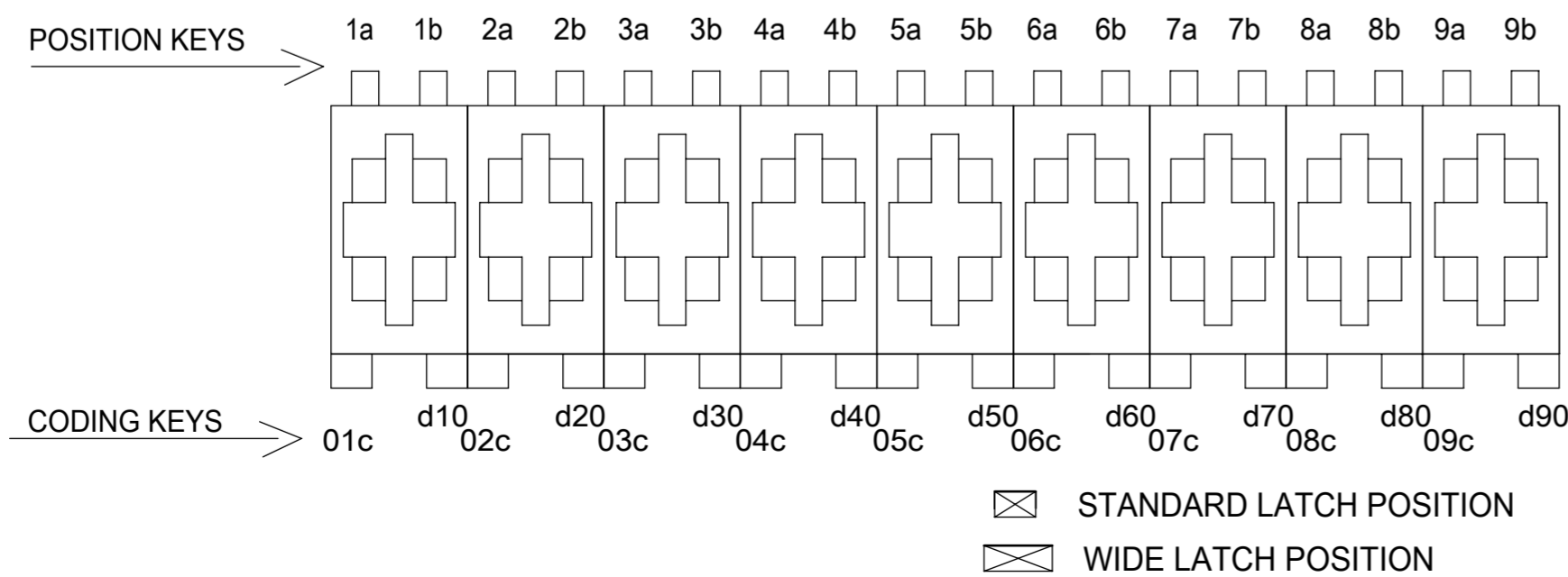
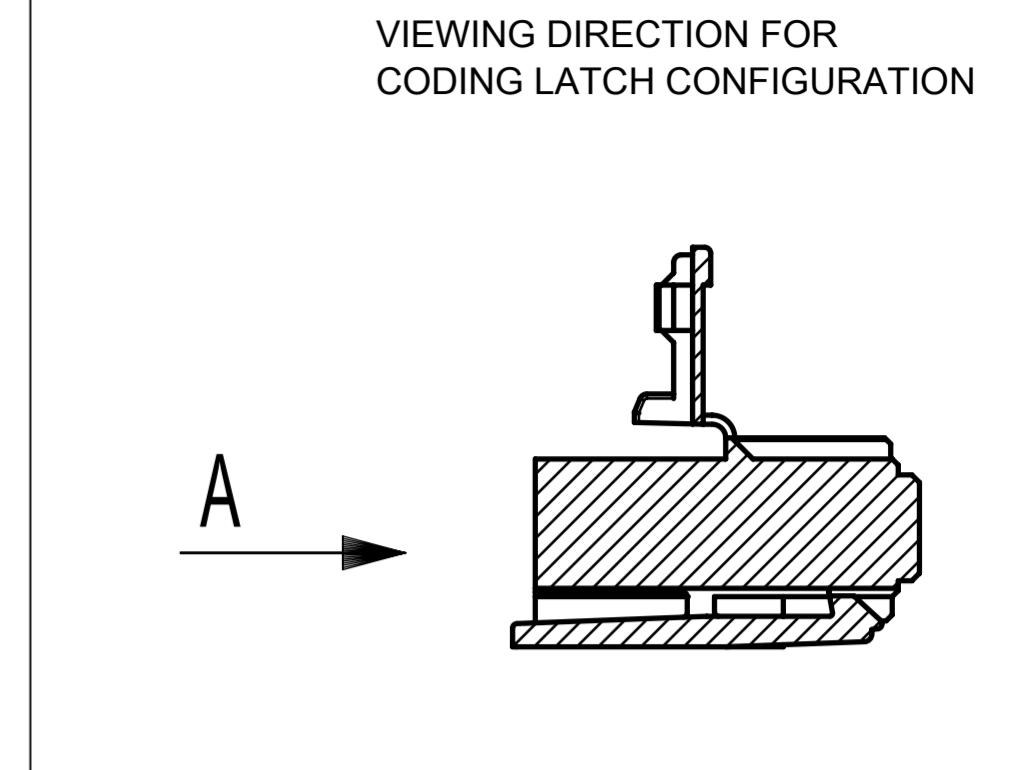
CIRCUIT SIZE	DIM A
3	14.8
4	19.8
5	24.8
6	29.8
7	34.8
8	39.8
9	44.8



DETAILS OF POSITION KEYS

SYMBOLS	THIS DRAWING CONTAINS INFORMATION THAT IS PROPRIETARY TO MOLEX ELECTRONIC TECHNOLOGIES, LLC AND SHOULD NOT BE USED WITHOUT WRITTEN PERMISSION				
	DIMENSION UNITS	SCALE			
∇ = 0	mm	2:1	EC NO: 621588		
∇ = 0	GENERAL TOLERANCES (UNLESS SPECIFIED)		DRWN: AKABADI	2019/07/23	RAST 5 CRIMP HOUSING HWI
∇ = 0	ANGULAR TOL ± 2.0°		CHK'D: DRYAN	2019/08/11	
∇ = 0	4 PLACES ±		APPR: DRYAN	2019/08/11	PRODUCT CUSTOMER DRAWING
∇ = 0	3 PLACES ±		INITIAL REVISION:		DOCUMENT NUMBER
∇ = 0	2 PLACES ± 0.13		DRWN: AKABADI	2019/07/23	932500001
∇ = 0	1 PLACE ± 0.25		APPR: DRYAN	2019/08/11	DOC TYPE DOC PART REVISION
∇ = 0	0 PLACES ±		THIRD ANGLE PROJECTION		PSD 000 A
∇ = 0	DRAFT WHERE APPLICABLE MUST REMAIN WITHIN DIMENSIONS		DRAWING	SERIES	MATERIAL NUMBER
∇ = 0			A2-SIZE	93250	CUSTOMER
					SHEET NUMBER
					1 OF 3

MOLEX PART NUMBER	CIRCUIT SIZE	POSITION KEYS	CODING KEYS	LATCH TYPE	LATCH POSITION	VIEW FROM DIRECTION A	HEAT RESISTANCE	TAB LOCKING FEATURE QUANTITY
93250-3183	3	NONE	01c	STANDARD	1&2		HWI & GWT	2
93250-3283	3	NONE	d30	STANDARD	2&3		HWI & GWT	2
93250-4033	3	1b	01c 03c	STANDARD	1&2		HWI & GWT	2
93250-4003	3	3b	01c 03c	STANDARD	1&2		HWI & GWT	2
93250-4013	3	1b	01c d30	STANDARD	1&2		HWI & GWT	2
93250-4023	3	3b	01c d30	STANDARD	1&2		HWI & GWT	2
93250-4004	4	1b	03c d40	STANDARD	1&2 3&4		HWI & GWT	2
93250-4005	5	3b	d30	STANDARD	1&2 4&5		HWI & GWT	3
93250-4015	5	1a 5b	01c d30	STANDARD	1&2 2&3		HWI & GWT	3
93250-4006	6	1b	04c	STANDARD	1&2 5&6		HWI & GWT	3
93250-3077	7	ALL	ALL	STANDARD	2&3 6&7		HWI & GWT	4
93250-3087	7	NONE	04c	STANDARD	1&2 5&6		HWI & GWT	4
93250-3097	7	3a 4a	d30 d70	STANDARD	1&2 5&6		HWI & GWT	4



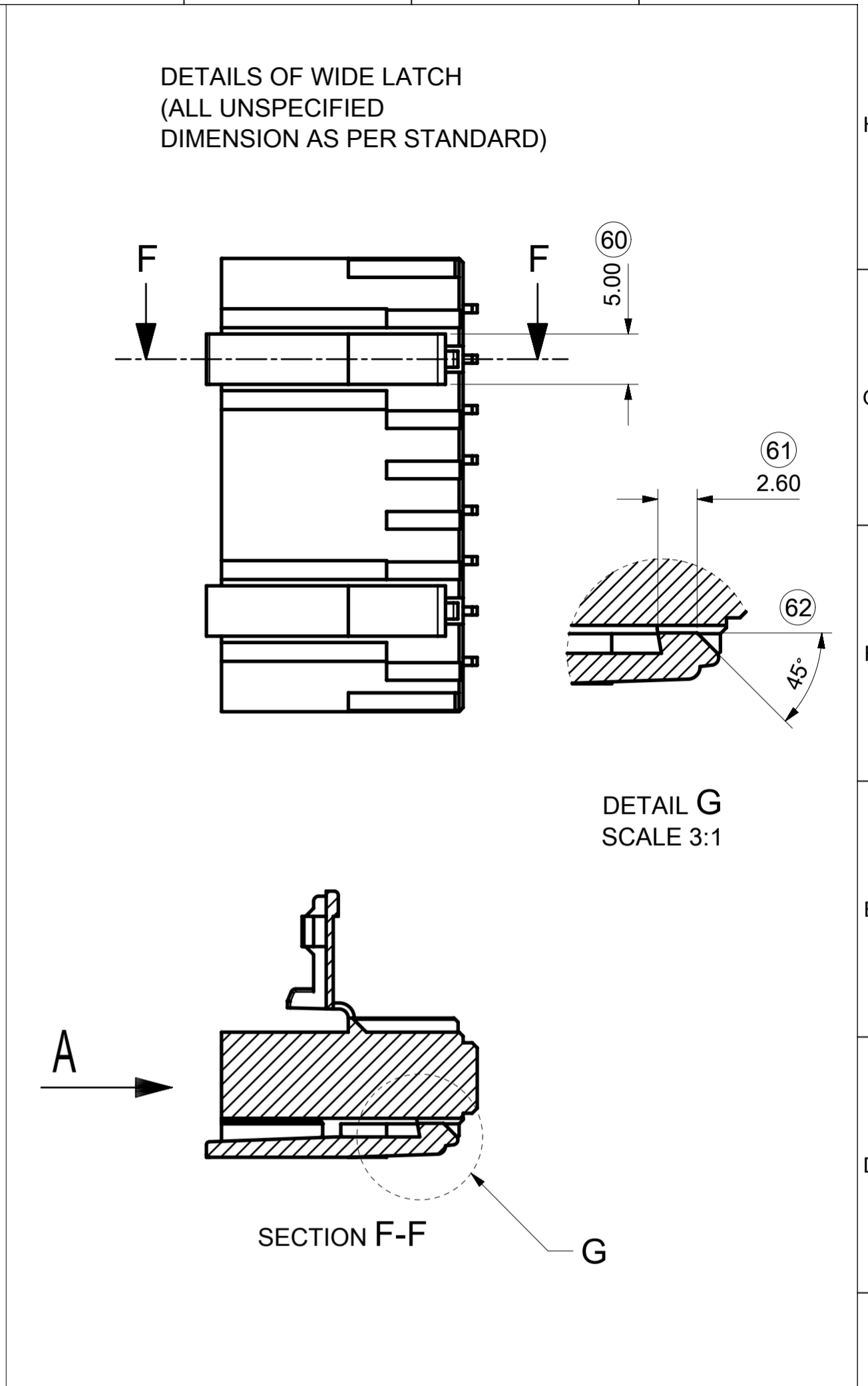
SYMBOLS	THIS DRAWING CONTAINS INFORMATION THAT IS PROPRIETARY TO MOLEX ELECTRONIC TECHNOLOGIES, LLC AND SHOULD NOT BE USED WITHOUT WRITTEN PERMISSION	
	DIMENSION UNITS	SCALE
▽ = 0	mm	2:1
▽ = 0	GENERAL TOLERANCES (UNLESS SPECIFIED)	
▽ = 0	ANGULAR TOL ± 2.0°	
▽ = 0	CURRENT REV DESC: NX RELEASE	
▽ = 0	EC NO: 621588	
▽ = 0	DRWN: AKABADI 2019/07/23	
▽ = 0	CHK'D: DRYAN 2019/08/11	
▽ = 0	APPR: DRYAN 2019/08/11	
▽ = 0	INITIAL REVISION:	
▽ = 0	DRWN: AKABADI 2019/07/23	
▽ = 0	APPR: DRYAN 2019/08/11	
▽ = 0	DRAFT WHERE APPLICABLE MUST REMAIN WITHIN DIMENSIONS	
▽ = 0	THIRD ANGLE PROJECTION	DRAWING
▽ = 0		A2-SIZE
SERIES		93250
DOCUMENT NUMBER		932500001
DOC TYPE		PSD
DOC PART		000
REVISION		A
MATERIAL NUMBER		SEE TABLE SHT 2&3
CUSTOMER		
SHEET NUMBER		2 OF 3

molex

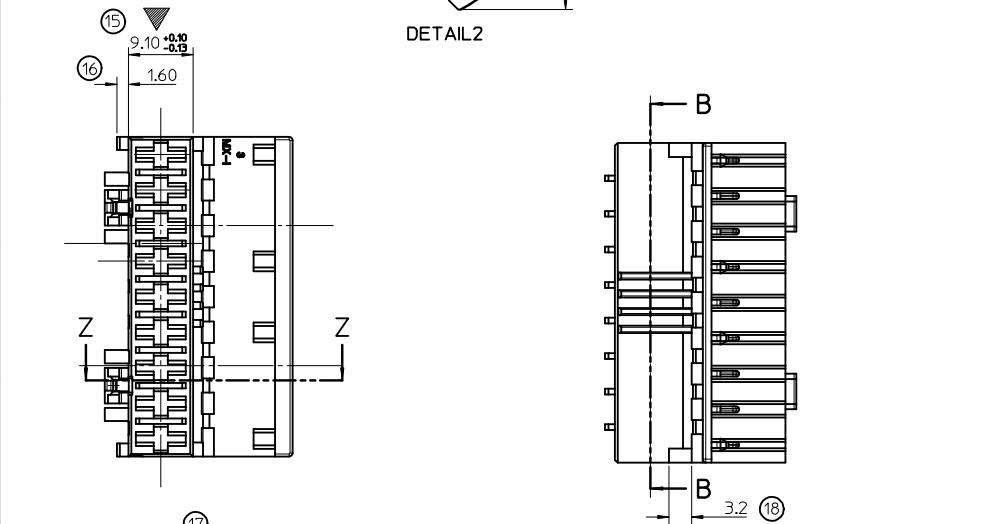
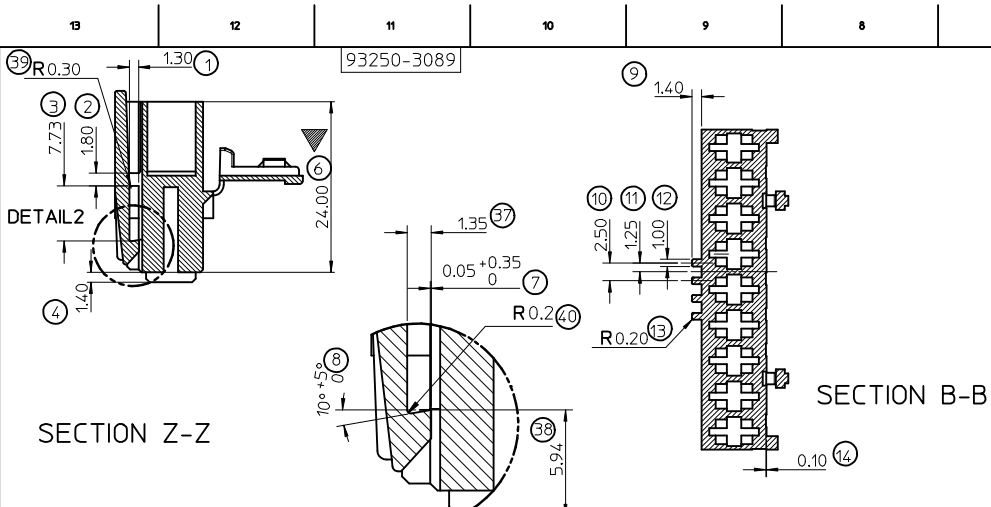
RAST 5 CRIMP HOUSING HWI

PRODUCT CUSTOMER DRAWING

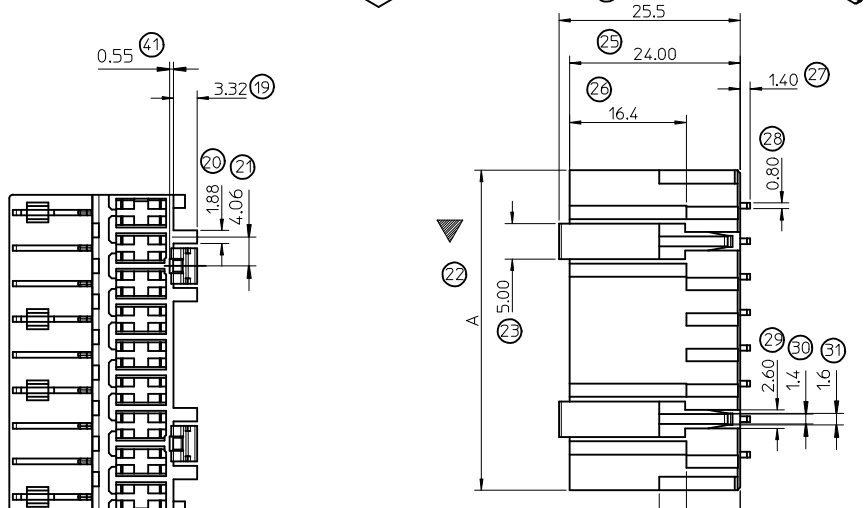
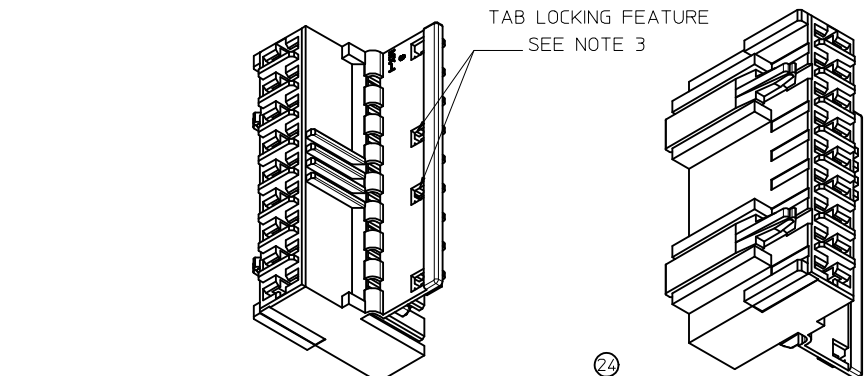
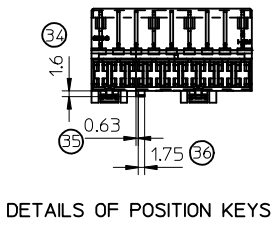
MOLEX PART NUMBER	CIRCUIT SIZE	POSITION KEYS	CODING KEYS	LATCH TYPE	LATCH POSITION	VIEW FROM DIRECTION A	HEAT RESISTANCE	TAB LOCKING FEATURE QUANTITY
93250-4008	8	NONE	d20 03c d60 07c	STANDARD	1&2 7&8		HWI & GWT	4
93250-3089	9	4b 5a 5b 6a	01c d90	STANDARD	2&3 7&8		HWI & GWT	5
93250-3289	9	5b	d30	STANDARD	1&2 6&7		HWI & GWT	5
93250-3069	9	4b 5a 5b 6a	01c d90	WIDE	2&3 7&8		HWI & GWT	5
93250-3269	9	5b	d30	WIDE	1&2 6&7		HWI & GWT	5
93250-3270	9	4b 5a 5b 6a	01c d90	WIDE	2&3 5 7&8		HWI & GWT	5
93250-3271	9	NONE	d30	WIDE	1&2 5 8&9		HWI & GWT	5



SYMBOLS	THIS DRAWING CONTAINS INFORMATION THAT IS PROPRIETARY TO MOLEX ELECTRONIC TECHNOLOGIES, LLC AND SHOULD NOT BE USED WITHOUT WRITTEN PERMISSION		
	DIMENSION UNITS	SCALE	CURRENT REV DESC: NX RELEASE
= 0	mm	2:1	EC NO: 621588 DRWN: AKABADI 2019/07/23 CHK'D: DRYAN 2019/08/11 APPR: DRYAN 2019/08/11
= 0	GENERAL TOLERANCES (UNLESS SPECIFIED)		
= 0	ANGULAR TOL ± 2.0°		INITIAL REVISION: DRWN: AKABADI 2019/07/23 APPR: DRYAN 2019/08/11
= 0	4 PLACES ±		
= 0	3 PLACES ±		DOCUMENT NUMBER: 932500001 DOC TYPE: PSD DOC PART: 000 REVISION: A
= 0	2 PLACES ± 0.13		
= 0	1 PLACE ± 0.25		MATERIAL NUMBER: SEE TABLE SHT 2&3 CUSTOMER: 3 OF 3
= 0	0 PLACES ±		
= 0	DRAFT WHERE APPLICABLE MUST REMAIN WITHIN DIMENSIONS	THIRD ANGLE PROJECTION	DRAWING: A2-SIZE SERIES: 93250



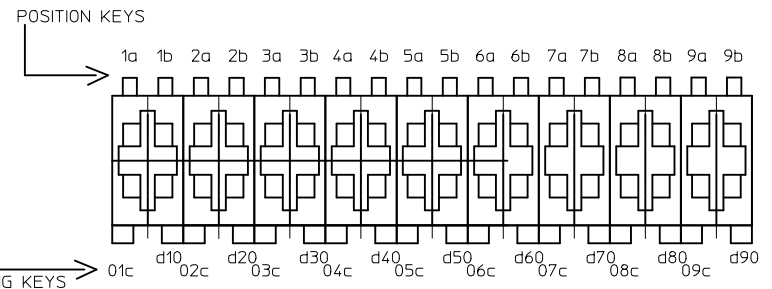
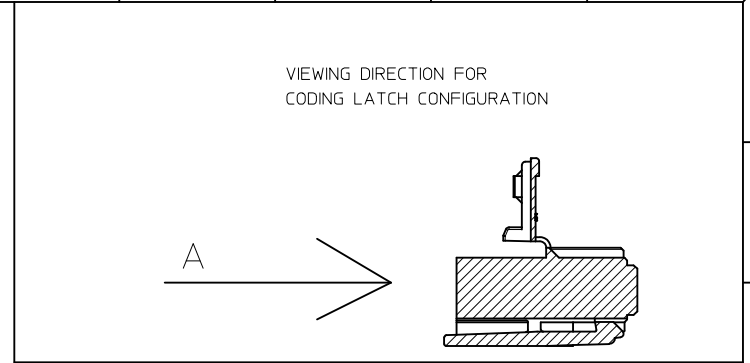
CIRCUIT SIZE	DIM A
3	14.8
4	19.8
5	24.8
6	29.8
7	34.8
8	39.8
9	44.8



- NOTE**
1. MATERIAL :93250-**** PA 66 HWI AND GWT COMPLIANT
 2. SEE SHEET 2 FOR CODING/LATCH CONFIGURATION FOR EACH PART NUMBER
 3. SEE SHEET 2-3 FOR TAB LOCKING FEATURE QUANTITY PER CIRCUIT SIZE
 4. PRODUCT SPECIFICATION : PS-93250-001
 5. PACKAGING SPECIFICATION : PK-93250-001

ADDED & CKT TABLE EC NO: IFC2015-0648 DRWN:BCAFFREY 2014/10/07 CHKD:BRUTLE 2014/10/10 APPR:MSHAMHAN 2014/10/31	QUALITY SYMBOLS $\nabla=0$ $\nabla=3$	GENERAL TOLERANCES (UNLESS SPECIFIED) <table border="1"> <thead> <tr> <th></th> <th>mm</th> <th>INCH</th> </tr> </thead> <tbody> <tr> <td>4 PLACES</td> <td>± ---</td> <td>± ---</td> </tr> <tr> <td>3 PLACES</td> <td>± ---</td> <td>± ---</td> </tr> <tr> <td>2 PLACES</td> <td>± 0.13</td> <td>± ---</td> </tr> <tr> <td>1 PLACE</td> <td>± 0.25</td> <td>± ---</td> </tr> </tbody> </table> ANGULAR ± 2 °		mm	INCH	4 PLACES	± ---	± ---	3 PLACES	± ---	± ---	2 PLACES	± 0.13	± ---	1 PLACE	± 0.25	± ---	DIMENSION STYLE MM ONLY	SCALE 1:1	DESIGN UNITS METRIC	THIRD ANGLE PROJECTION
		mm	INCH																		
4 PLACES	± ---	± ---																			
3 PLACES	± ---	± ---																			
2 PLACES	± 0.13	± ---																			
1 PLACE	± 0.25	± ---																			
DRAWN BY BMAGUIRE	DATE 2010/06/25	CHECKED BY DATE	TITLE RAST 5 CRIMP HOUSING HWI	APPROVED BY BMAGUIRE	DATE 2010/10/22	MATERIAL NO. SD-93250-001															
DRAFT WHERE APPLICABLE MUST REMAIN WITHIN DIMENSIONS			SIZE A 2	THIS DRAWING CONTAINS INFORMATION THAT IS PROPRIETARY TO MOLEX INCORPORATED AND SHOULD NOT BE USED WITHOUT WRITTEN PERMISSION																	

MOLEX PART NUMBER	CIRCUIT SIZE	POSITION KEYS	CODING KEYS	LATCH TYPE	LATCH POSITION	VIEW FROM DIRECTION A	HEAT RESISTANCE	TAB LOCKING FEATURE QUANTITY
93250-3183	3	NONE	01C	STANDARD	1&2		HWI & GWT	2
93250-3283	3	NONE	03d	STANDARD	2&3		HWI & GWT	2
93250-4033	3	1b	01c 03c	STANDARD	1&2		HWI & GWT	2
93250-4003	3	3b	01c 03c	STANDARD	1&2		HWI & GWT	2
93250-4013	3	1b	01c d30	STANDARD	1&2		HWI & GWT	2
93250-4023	3	3b	01c d30	STANDARD	1&2		HWI & GWT	2
93250-4004	4	1b	03c d40	STANDARD	1&2 3&4		HWI & GWT	2
93250-4005	5	3b	d30	STANDARD	1&2 4&5		HWI & GWT	3
93250-4015	5	1A 5B	01c d30	STANDARD	1&2 2&3		HWI & GWT	3
93250-4006	6	1b	04C	STANDARD	1&2 5&6		HWI & GWT	3
93250-3077	7	ALL	ALL	STANDARD	2&3 6&7		HWI & GWT	4
93250-3087	7	NONE	04C	STANDARD	1&2 5&6		HWI & GWT	4
93250-3097	7	3a 4a	d30 d70	STANDARD	1&2 5&6		HWI & GWT	4



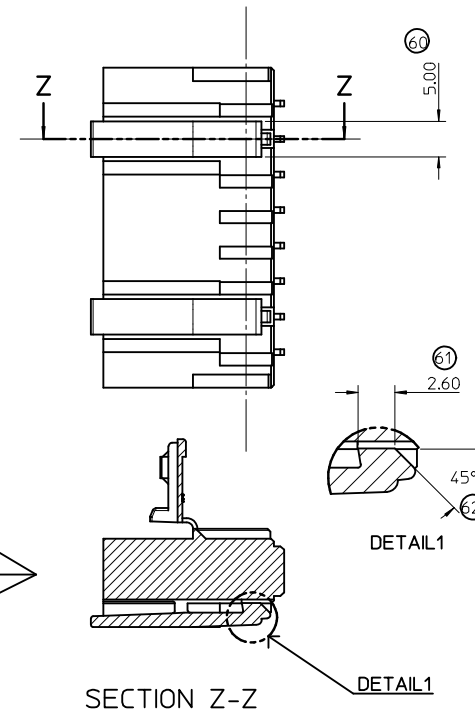
STANDARD LATCH POSITION
 WIDE LATCH POSITION

SEE SHEET 1 EC NO: IPG2015-0648 DRW:BCAFFREY 2014/10/07 CHKD:BRUTLE APPR:SHAMHAN	QUALITY SYMBOLS	GENERAL TOLERANCES (UNLESS SPECIFIED)	DIMENSION STYLE	SCALE	DESIGN UNITS	THIRD ANGLE PROJECTION																																	
	$\nabla=0$ $\nabla=0$ $\nabla=0$	<table border="1"> <tr> <th></th> <th>mm</th> <th>INCH</th> </tr> <tr> <td>4 PLACES</td> <td>± ---</td> <td>± ---</td> </tr> <tr> <td>3 PLACES</td> <td>± ---</td> <td>± ---</td> </tr> <tr> <td>2 PLACES</td> <td>± 0.13</td> <td>± ---</td> </tr> <tr> <td>1 PLACE</td> <td>± 0.25</td> <td>± ---</td> </tr> <tr> <td colspan="3">ANGULAR ± 2 °</td> </tr> </table>		mm	INCH	4 PLACES	± ---	± ---	3 PLACES	± ---	± ---	2 PLACES	± 0.13	± ---	1 PLACE	± 0.25	± ---	ANGULAR ± 2 °			<table border="1"> <tr> <th>mm ONLY</th> <th>DATE</th> <th>TITLE</th> </tr> <tr> <td>DRAWN BY</td> <td>2010/06/25</td> <td>RAST 5 CRIMP HOUSING HWI</td> </tr> <tr> <td>CHECKED BY</td> <td>DATE</td> <td></td> </tr> <tr> <td>APPROVED BY</td> <td>DATE</td> <td></td> </tr> <tr> <td>BMAGUIRE</td> <td>2010/10/22</td> <td></td> </tr> </table>	mm ONLY	DATE	TITLE	DRAWN BY	2010/06/25	RAST 5 CRIMP HOUSING HWI	CHECKED BY	DATE		APPROVED BY	DATE		BMAGUIRE	2010/10/22		2:1	METRIC	
		mm	INCH																																				
	4 PLACES	± ---	± ---																																				
3 PLACES	± ---	± ---																																					
2 PLACES	± 0.13	± ---																																					
1 PLACE	± 0.25	± ---																																					
ANGULAR ± 2 °																																							
mm ONLY	DATE	TITLE																																					
DRAWN BY	2010/06/25	RAST 5 CRIMP HOUSING HWI																																					
CHECKED BY	DATE																																						
APPROVED BY	DATE																																						
BMAGUIRE	2010/10/22																																						
DRAFT WHERE APPLICABLE MUST REMAIN WITHIN DIMENSIONS	MATERIAL NO. SEE TABLE	APPROVED BY BMAGUIRE	DATE 2010/10/22	MOLEX INCORPORATED	DOCUMENT NO. SD-93250-001	SHEET NO. 2 OF 3																																	
	SIZE A2	THIS DRAWING CONTAINS INFORMATION THAT IS PROPRIETARY TO MOLEX INCORPORATED AND SHOULD NOT BE USED WITHOUT WRITTEN PERMISSION																																					

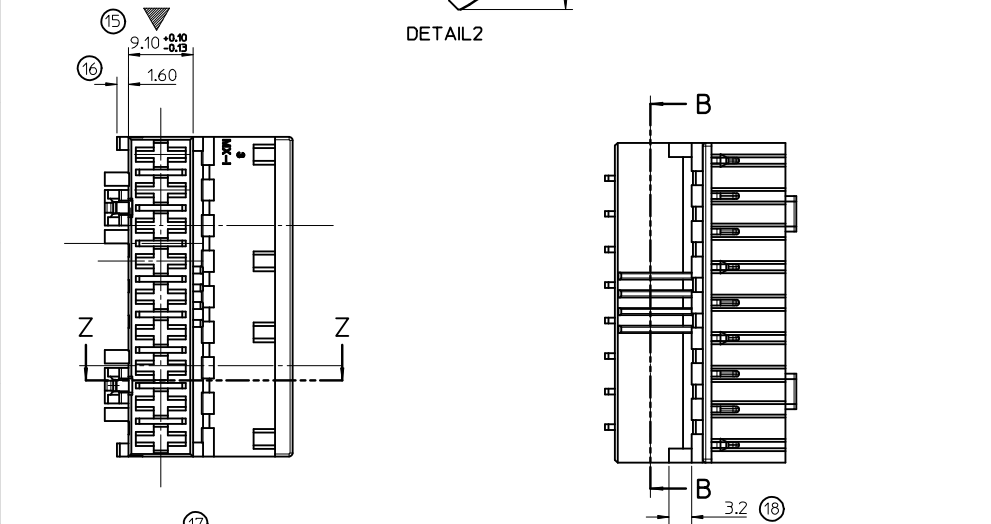
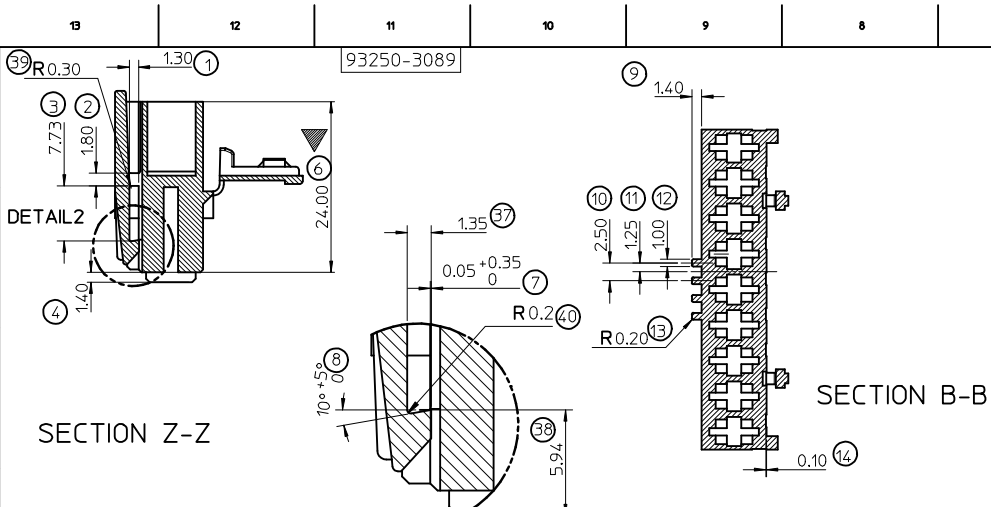
MOLEX PART NUMBER	CIRCUIT SIZE	POSITION KEYS	CODING KEYS	LATCH TYPE	LATCH POSITION	VIEW FROM DIRECTION A	HEAT RESISTANCE	TAB LOCKING FEATURE QUANTITY
93250-4008	8	NONE	d20 03c d60 07c	STANDARD	1&2 7&8		HWI & GWT	4

MOLEX PART NUMBER	CIRCUIT SIZE	POSITION KEYS	CODING KEYS	LATCH TYPE	LATCH POSITION	VIEW FROM DIRECTION A	HEAT RESISTANCE	TAB LOCKING FEATURE QUANTITY
93250-3089	9	4b 5a 5b 6a	01c 09d	STANDARD	2&3 7&8		HWI & GWT	5
93250-3289	9	5b	3d	STANDARD	1&2 6&7		HWI & GWT	5
93250-3069	9	4b 5a 5b 6a	01c 09d	WIDE	2&3 7&8		HWI & GWT	5
93250-3269	9	5b	3d	WIDE	1&2 6&7		HWI & GWT	5
93250-3270	9	4b 5a 5b 6a	01c 09d	WIDE	2&3 5 7&8		HWI & GWT	5
93250-3271	9	NONE	3d	WIDE	1&2 5 8&9		HWI & GWT	5

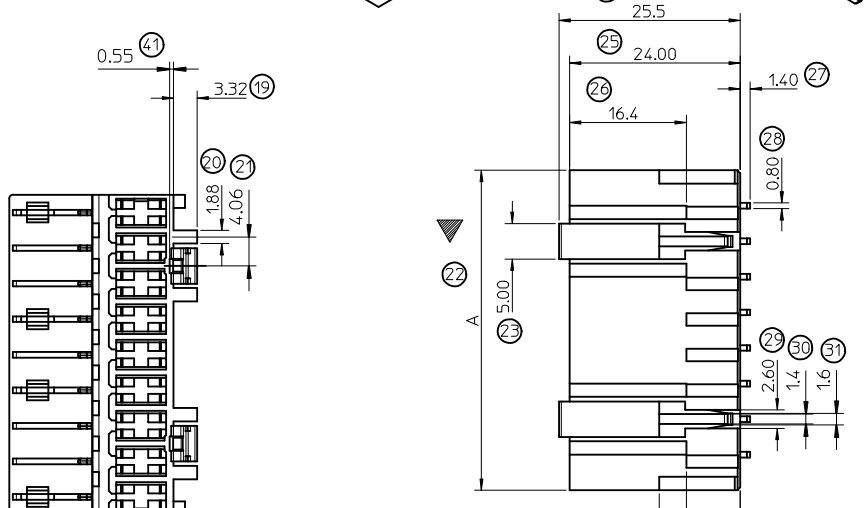
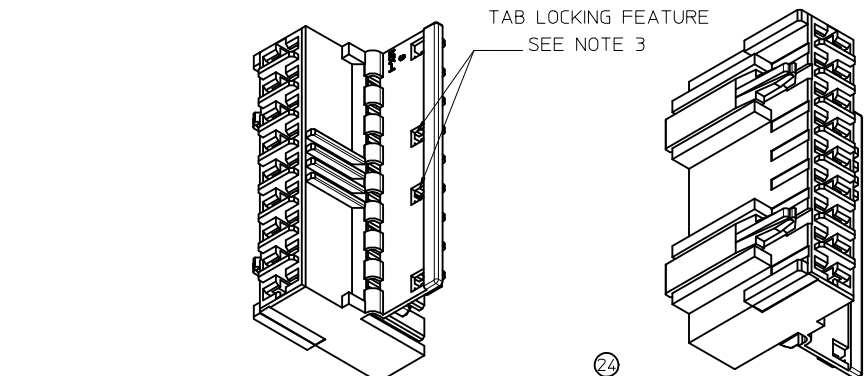
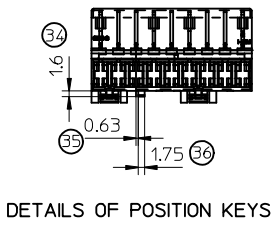
DETAILS OF WIDE LATCH
(ALL UNSPECIFIED
DIMENSION AS PER STANDARD)



SEE SHEET 1 EC NO: IFC2015-0648 DRWN:BCAFFREY 2014/10/07 CHKD:BRUTLE 2014/10/10 APPR:MSHAMHAN 2014/10/31	QUALITY SYMBOLS ∇=0 ∇=0 ∇=0	GENERAL TOLERANCES (UNLESS SPECIFIED)		DIMENSION STYLE MM ONLY	SCALE 1:1	DESIGN UNITS METRIC	THIRD ANGLE PROJECTION
		4 PLACES ± --- ± --- 3 PLACES ± --- ± --- 2 PLACES ± 0.13 ± --- 1 PLACE ± 0.25 ± --- ANGULAR ± 2 °	DRAWN BY BMAGUIRE	DATE 2010/06/25	TITLE RAST 5 CRIMP HOUSING HWI	APPROVED BY BMAGUIRE	DATE 2010/10/22
DRAFT WHERE APPLICABLE MUST REMAIN WITHIN DIMENSIONS	SIZE A2	THIS DRAWING CONTAINS INFORMATION THAT IS PROPRIETARY TO MOLEX INCORPORATED AND SHOULD NOT BE USED WITHOUT WRITTEN PERMISSION					



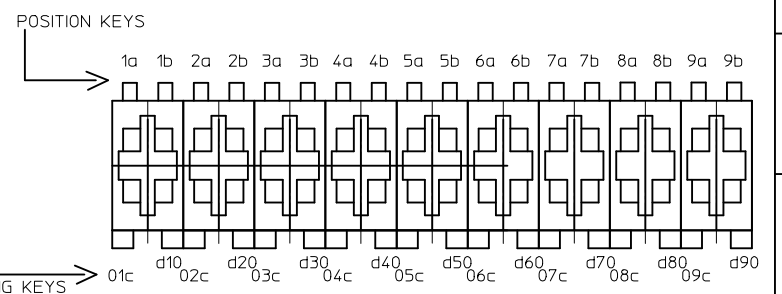
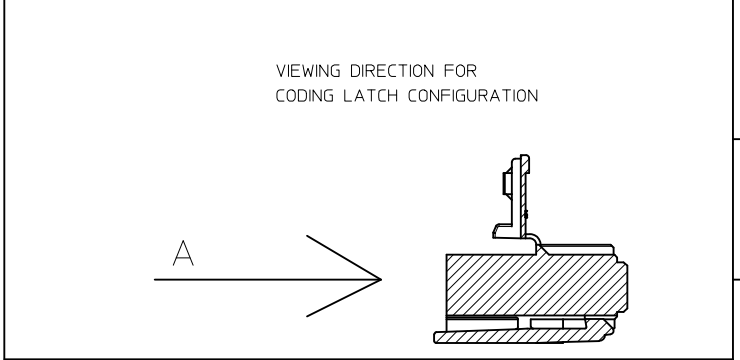
CIRCUIT SIZE	DIM A
3	14.8
4	19.8
5	24.8
6	29.8
7	34.8
8	39.8
9	44.8



- NOTE**
1. MATERIAL :93250-**** PA 66 HWI AND GWT COMPLIANT
 2. SEE SHEET 2 FOR CODING/LATCH CONFIGURATION FOR EACH PART NUMBER
 3. SEE SHEET 2-3 FOR TAB LOCKING FEATURE QUANTITY PER CIRCUIT SIZE
 4. PRODUCT SPECIFICATION : PS-93250-001
 5. PACKAGING SPECIFICATION : PK-93250-001

ADDED & CKT TABLE EC NO: IFC2015-0648 DRWN:BCAFFREY 2014/10/07 CHKD:BRUTLE 2014/10/10 APPR:MSHAMHAN 2014/10/31	QUALITY SYMBOLS $\nabla=0$ $\nabla=3$	GENERAL TOLERANCES (UNLESS SPECIFIED)		DIMENSION STYLE MM ONLY	SCALE 1:1	DESIGN UNITS METRIC	THIRD ANGLE PROJECTION
		4 PLACES ± --- ± --- 3 PLACES ± --- ± --- 2 PLACES ± 0.13 ± --- 1 PLACE ± 0.25 ± --- ANGULAR ± 2 °	mm INCH	DRAWN BY BMAGUIRE	DATE 2010/06/25	TITLE RAST 5 CRIMP HOUSING HWI	MOLEX INCORPORATED
APPROVED BY BMAGUIRE	DATE 2010/10/22	DRAFT WHERE APPLICABLE MUST REMAIN WITHIN DIMENSIONS		MATERIAL NO. SEE TABLE	DOCUMENT NO. SD-93250-001	SHEET NO. 1 OF 3	
THIS DRAWING CONTAINS INFORMATION THAT IS PROPRIETARY TO MOLEX INCORPORATED AND SHOULD NOT BE USED WITHOUT WRITTEN PERMISSION							

MOLEX PART NUMBER	CIRCUIT SIZE	POSITION KEYS	CODING KEYS	LATCH TYPE	LATCH POSITION	VIEW FROM DIRECTION A	HEAT RESISTANCE	TAB LOCKING FEATURE QUANTITY
93250-3183	3	NONE	01C	STANDARD	1&2		HWI & GWT	2
93250-3283	3	NONE	03d	STANDARD	2&3		HWI & GWT	2
93250-4033	3	1b	01c 03c	STANDARD	1&2		HWI & GWT	2
93250-4003	3	3b	01c 03c	STANDARD	1&2		HWI & GWT	2
93250-4013	3	1b	01c d30	STANDARD	1&2		HWI & GWT	2
93250-4023	3	3b	01c d30	STANDARD	1&2		HWI & GWT	2
93250-4004	4	1b	03c d40	STANDARD	1&2 3&4		HWI & GWT	2
93250-4005	5	3b	d30	STANDARD	1&2 4&5		HWI & GWT	3
93250-4015	5	1A 5B	01c d30	STANDARD	1&2 2&3		HWI & GWT	3
93250-4006	6	1b	04C	STANDARD	1&2 5&6		HWI & GWT	3
93250-3077	7	ALL	ALL	STANDARD	2&3 6&7		HWI & GWT	4
93250-3087	7	NONE	04C	STANDARD	1&2 5&6		HWI & GWT	4
93250-3097	7	3a 4a	d30 d70	STANDARD	1&2 5&6		HWI & GWT	4



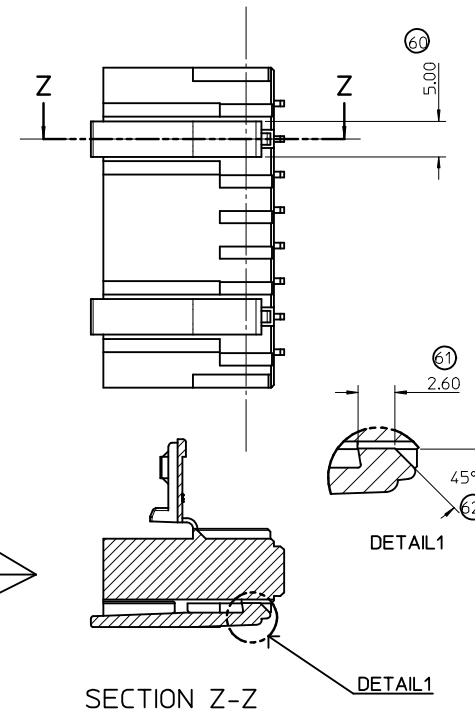
STANDARD LATCH POSITION
 WIDE LATCH POSITION

SEE SHEET 1 EC NO: IPG2015-0648 DRW:BCAFFREY 2014/10/07 CHKD:BRUTLE APPR:MSHAMHAN	QUALITY SYMBOLS $\nabla=0$ $\nabla=0$ $\nabla=0$	GENERAL TOLERANCES (UNLESS SPECIFIED) <table border="1"> <thead> <tr> <th></th> <th>mm</th> <th>INCH</th> </tr> </thead> <tbody> <tr> <td>4 PLACES</td> <td>± ---</td> <td>± ---</td> </tr> <tr> <td>3 PLACES</td> <td>± ---</td> <td>± ---</td> </tr> <tr> <td>2 PLACES</td> <td>± 0.13</td> <td>± ---</td> </tr> <tr> <td>1 PLACE</td> <td>± 0.25</td> <td>± ---</td> </tr> </tbody> </table>		mm	INCH	4 PLACES	± ---	± ---	3 PLACES	± ---	± ---	2 PLACES	± 0.13	± ---	1 PLACE	± 0.25	± ---	DIMENSION STYLE MM ONLY	SCALE 2:1	DESIGN UNITS METRIC	THIRD ANGLE PROJECTION
		mm	INCH																		
	4 PLACES	± ---	± ---																		
	3 PLACES	± ---	± ---																		
2 PLACES	± 0.13	± ---																			
1 PLACE	± 0.25	± ---																			
DRAFT WHERE APPLICABLE MUST REMAIN WITHIN DIMENSIONS	DRAWN BY BMAGUIRE	DATE 2010/06/25	TITLE RAST 5 CRIMP HOUSING HWI	MOLEX INCORPORATED																	
	APPROVED BY BMAGUIRE	DATE 2010/10/22	MATERIAL NO. SEE TABLE	DOCUMENT NO. SD-93250-001	SHEET NO. 2 OF 3																
	THIS DRAWING CONTAINS INFORMATION THAT IS PROPRIETARY TO MOLEX INCORPORATED AND SHOULD NOT BE USED WITHOUT WRITTEN PERMISSION																				

MOLEX PART NUMBER	CIRCUIT SIZE	POSITION KEYS	CODING KEYS	LATCH TYPE	LATCH POSITION	VIEW FROM DIRECTION A	HEAT RESISTANCE	TAB LOCKING FEATURE QUANTITY
93250-4008	8	NONE	d20 03c d60 07c	STANDARD	1&2 7&8		HWI & GWT	4

MOLEX PART NUMBER	CIRCUIT SIZE	POSITION KEYS	CODING KEYS	LATCH TYPE	LATCH POSITION	VIEW FROM DIRECTION A	HEAT RESISTANCE	TAB LOCKING FEATURE QUANTITY
93250-3089	9	4b 5a 5b 6a	01c 09d	STANDARD	2&3 7&8		HWI & GWT	5
93250-3289	9	5b	3d	STANDARD	1&2 6&7		HWI & GWT	5
93250-3069	9	4b 5a 5b 6a	01c 09d	WIDE	2&3 7&8		HWI & GWT	5
93250-3269	9	5b	3d	WIDE	1&2 6&7		HWI & GWT	5
93250-3270	9	4b 5a 5b 6a	01c 09d	WIDE	2&3 5 7&8		HWI & GWT	5
93250-3271	9	NONE	3d	WIDE	1&2 5 8&9		HWI & GWT	5

DETAILS OF WIDE LATCH
(ALL UNSPECIFIED
DIMENSION AS PER STANDARD)



SEE SHEET 1 EC NO: IFC2015-0648 DRWN:BCAFFREY 2014/10/07 CHKD:BRUTLE 2014/10/10 APPR:MSHAMHAN 2014/10/31	QUALITY SYMBOLS ∇=0 ∇=0 ∇=0	GENERAL TOLERANCES (UNLESS SPECIFIED)		DIMENSION STYLE MM ONLY	SCALE 1:1	DESIGN UNITS METRIC	THIRD ANGLE PROJECTION
		4 PLACES ± --- ± --- 3 PLACES ± --- ± --- 2 PLACES ± 0.13 ± --- 1 PLACE ± 0.25 ± --- ANGULAR ± 2 °	DRAWN BY BMAGUIRE	DATE 2010/06/25	TITLE RAST 5 CRIMP HOUSING HWI	APPROVED BY BMAGUIRE	DATE 2010/10/22
DRAFT WHERE APPLICABLE MUST REMAIN WITHIN DIMENSIONS	SIZE A2	THIS DRAWING CONTAINS INFORMATION THAT IS PROPRIETARY TO MOLEX INCORPORATED AND SHOULD NOT BE USED WITHOUT WRITTEN PERMISSION					