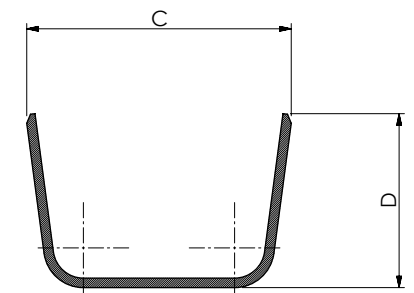
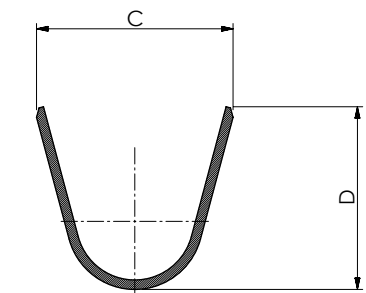
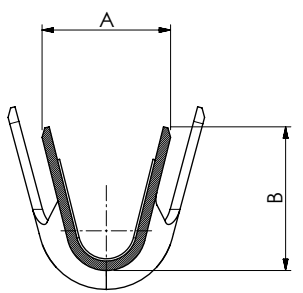
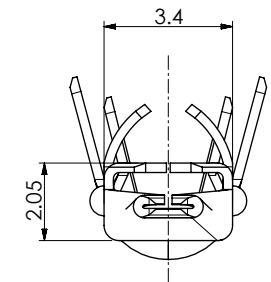
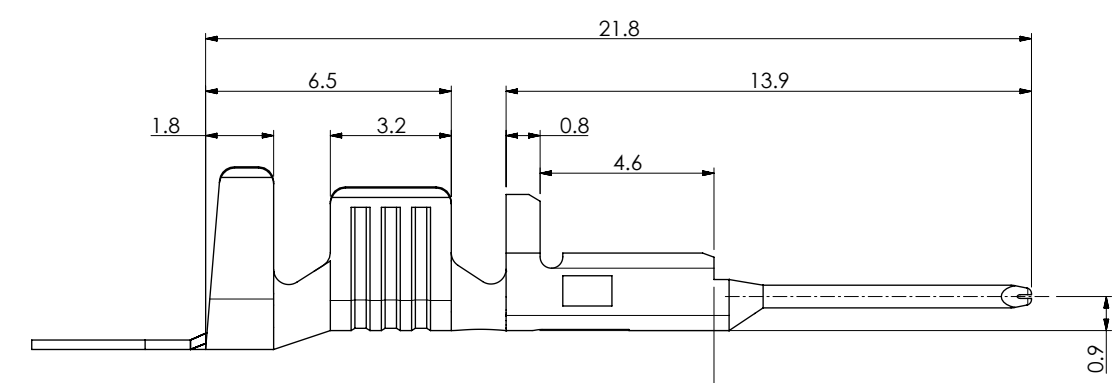


SECTION W-W  
(Scale 8/1)

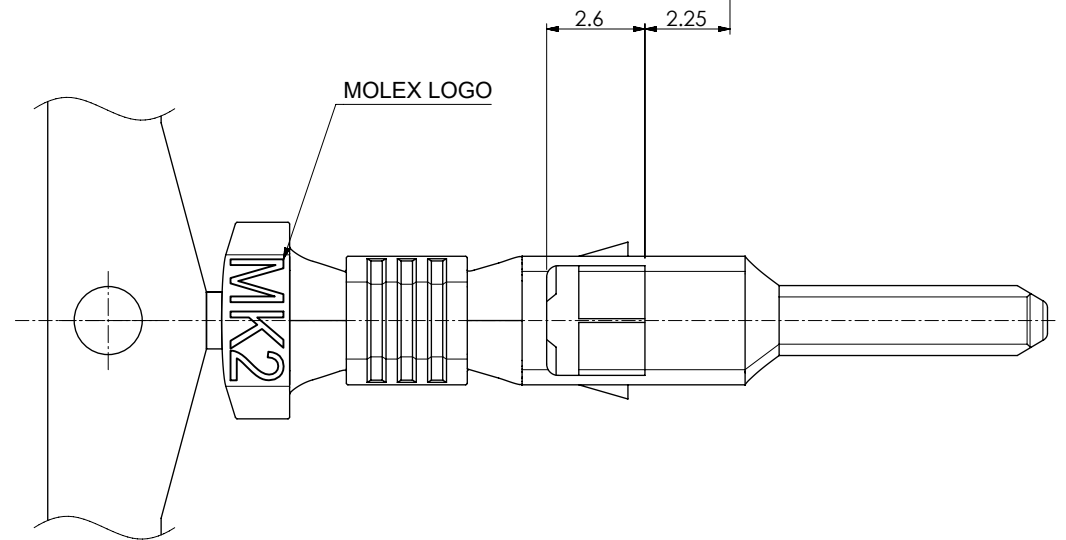
- NOTE:  
 1. MATERIAL : COPPER ALLOY  
 2. FINISH : PRE-TIN PLATED  
 0.8 MICROMETER MIN. TIN PLATING  
 3. RECOMMENDED WIRE : SEE THE TABLE  
 4. PRODUCT SPECIFICATION : 2173470000PS  
 5. PACKAGING SPECIFICATION : 2173478000PK  
 6. MATES WITH : 217347 SERIES



SECTION X-X  
(Scale 5/1)

217347-8000/8100  
SECTION Y-Y  
(Scale 5/1)

217347-8200  
SECTION Y-Y  
(Scale 5/1)



[TABLE]

PART NO.	APPLICABLE WIRE (UL3321)	A	B	C	D	P
217347-8000	#14~18	3.4	3.8	5.2	4.8	12.00
217347-8100	#20~22	2.7	2.6	4.2	4.0	10.60
217347-8200	#18+18, #18+20, #20+20	3.88	3.45	7.0	4.6	15.00

FUNCTIONAL SYMBOLS $\nabla_A = 0$ $\nabla_E = 0$ $\nabla_P = 0$	THIS DRAWING CONTAINS INFORMATION THAT IS PROPRIETARY TO MOLEX ELECTRONIC TECHNOLOGIES, LLC AND SHOULD NOT BE USED WITHOUT WRITTEN PERMISSION DIMENSION UNITS: <b>mm</b> SCALE: <b>5:1</b>	CURRENT REV DESC: EC NO: 730020 DRWN: SCHONG03 CHK'D: JDPARK01 APPR: JBJIN						
	GENERAL TOLERANCES (UNLESS SPECIFIED) ANGULAR TOL $\pm 3.0^\circ$	4 PLACES $\pm$ 3 PLACES $\pm$ 2 PLACES $\pm 0.3$ 1 PLACE $\pm 0.3$ 0 PLACES $\pm$				2022/03/17 2022/11/29 2022/12/02		
DIVISIONAL SYMBOLS	DRAFT WHERE APPLICABLE MUST REMAIN WITHIN DIMENSIONS	THIRD ANGLE PROJECTION 	DRAWING: <b>A3-SIZE</b>	SERIES: <b>217347</b>	DOCUMENT NUMBER: <b>2173478000</b>	DOC TYPE: <b>PSD</b>	DOC PART: <b>000</b>	REVISION: <b>B</b>
SHEET NUMBER: <b>1 OF 1</b>			MATERIAL NUMBER:			CUSTOMER:		