

**PLEASE CHECK WWW.MOLEX.COM FOR LATEST PART INFORMATION**

**Part Number:** [0945180200](#)  
**Status:** **Active**  
**Description:** High Normal Force Tabs, Unplated Brass, AWG 14-18

**Documents:**

[Drawing \(PDF\)](#) [RoHS Certificate of Compliance \(PDF\)](#)  
[Packaging Specification 945180001-PK-000 \(PDF\)](#)

**General**

Product Family	Crimp Terminals
Series	<a href="#">94518</a>
Application	Power, Wire-to-Board
Crimp Quality Equipment	Yes
Product Name	High Normal Force (HNF) Termin
Taxonomy	Crimp Terminals
UPC	800754249331

**Physical**

Gender	Female
Material - Metal	Brass
Material - Plating Mating	Unplated
Material - Plating Termination	Unplated
Net Weight	0.720/g
Packaging Type	Reel
Termination Interface: Style	Crimp or Compression
Wire Insulation Diameter	2.80-3.80mm
Wire Size AWG	14, 16, 18
Wire Size mm <sup>2</sup>	1.00-2.50

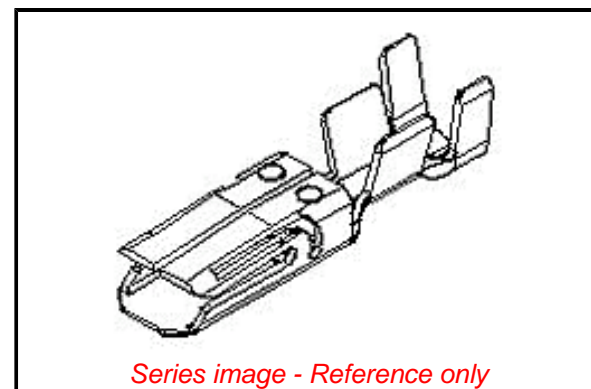
**Solder Process Data**

Lead-freeProcess Capability N/A

**Material Info**

**Reference - Drawing Numbers**

Packaging Specification	945180001-PK-000
Sales Drawing	945180001-000, SD-94518-005-001



**EU ELV**

**Compliant**

**EU RoHS**

**Compliant**

**REACH SVHC**

Not Contained Per -  
D(2022)4187-DC (10  
June 2022)

**Halogen-Free**

**Status**

**Low-Halogen**

For more information, please visit [Contact US](#)

China ROHS

ELV

RoHS Phthalates

**China RoHS**

Green Image

Compliant

Not Contained

**Search Parts in this Series**

[94518 Series](#)

**Application Tooling | FAQ**

*Tooling specifications and manuals are found by selecting the products below. Crimp Height Specifications are then contained in the Application Tooling Specification document.*

**Global**

Description	Product #
Extraction and Activation Tool	<a href="#">638132700</a>
Hand Crimp Tool for HNF Female Terminals	<a href="#">638235700</a>
Hand Crimp Tool for HNF Female Terminals	<a href="#">638250600</a>
FineAdjust Applicator for High Normal Force Female Crimp Terminals	<a href="#">639023600</a>

This document was generated on 11/23/2022

**PLEASE CHECK [WWW.MOLEX.COM](http://WWW.MOLEX.COM) FOR LATEST PART INFORMATION**