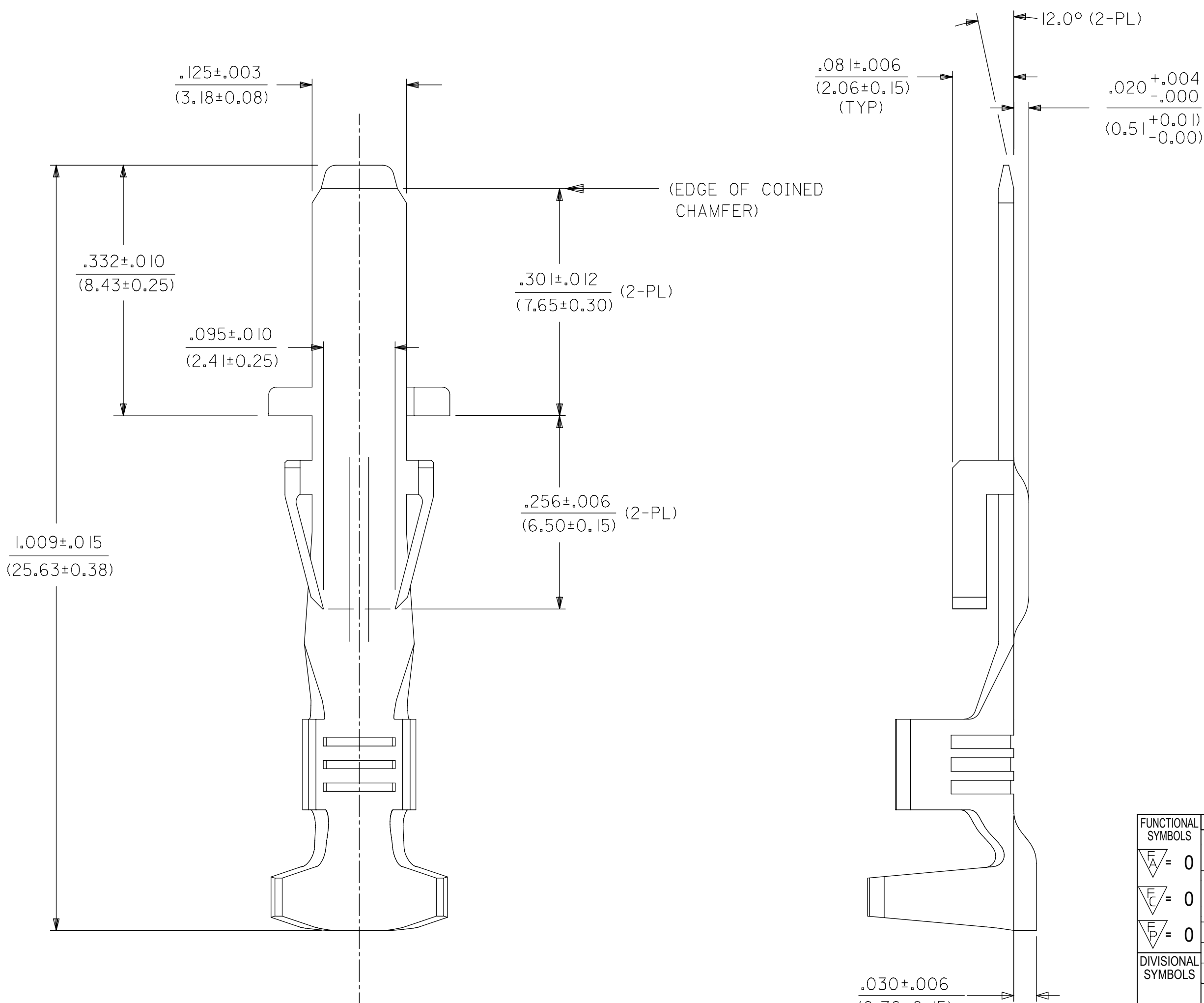
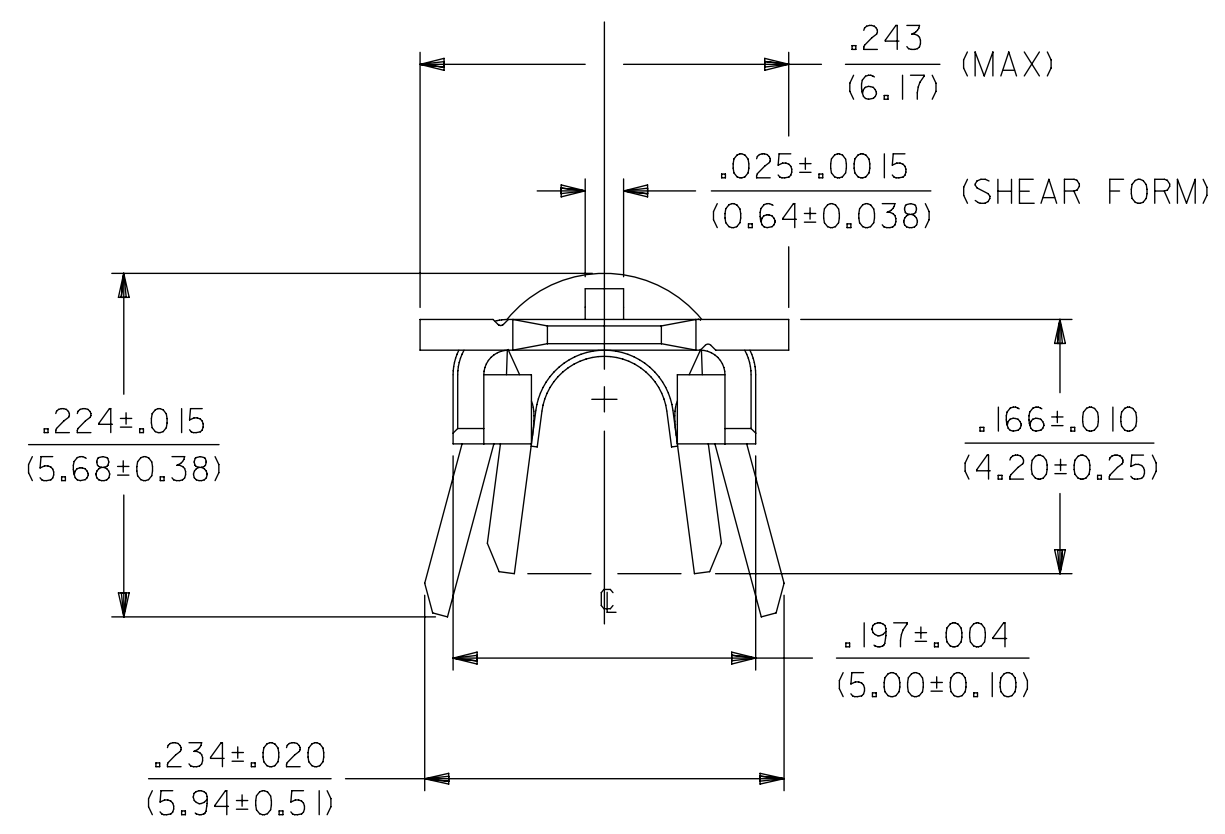


MATERIAL NUMBER	FINISH
43178-6001	999
43178-6002	H901



LARGE INSULATION CRIMP

- NOTES:**
1. MATERIAL: BRASS
 2. FINISH:
999 - UNPLATED
H901 - 20 MICROINCH MIN. HOT TIN DIP
 3. PRODUCT SPECIFICATION: PS-44441-9999
 4. PACKAGING SPECIFICATION: 431780000-PK
 5. TERMINAL FOR USE IN 43680 SERIES HOUSINGS
 6. TERMINAL FOR USE WITH A SINGLE 14-16 AWG. UL TYPE 1007 OR 1015 WIRE.
 7. TERMINAL FOR USE WITH SABRE SERIES HOUSINGS AND APPLICATIONS REQUIRING TERMINALS TO MEET UL1950 SPACING REQUIREMENTS.
 8. PARTS CONFORM TO CLASS "B" REQUIREMENTS OF COSMETIC SPECIFICATIONS PS-45499-002

FUNCTIONAL SYMBOLS $\frac{F_A}{A} = 0$ $\frac{F_C}{C} = 0$ $\frac{F_P}{P} = 0$ DIVISIONAL SYMBOLS	THIS DRAWING CONTAINS INFORMATION THAT IS PROPRIETARY TO MOLEX ELECTRONIC TECHNOLOGIES, LLC AND SHOULD NOT BE USED WITHOUT WRITTEN PERMISSION														
	DIMENSION UNITS		SCALE		CURRENT REV DESC: CORRECT .301 METRIC DIMENSION										
	INCH/MM		8:1												
	GENERAL TOLERANCES (UNLESS SPECIFIED)										EC NO: 658605 DRWN: MKIPPER 2021/03/18 CHK'D: JEHRISMAN 2021/03/31 APPR: FSMITH 2021/04/02 INITIAL REVISION: DRWN: BW 2002/06/27 APPR: FSMITH 2002/06/27				
4 PLACES		±	±												
3 PLACES		±	± 0.01												
2 PLACES		± 0.25	± 0.014												
1 PLACE		± 0.35	±												
0 PLACES		±	±												
ANGULAR TOL		± 0.5 °													
DRAFT WHERE APPLICABLE MUST REMAIN WITHIN DIMENSIONS				THIRD ANGLE PROJECTION		DRAWING		SERIES		MATERIAL NUMBER		CUSTOMER		SHEET NUMBER	
						C-SIZE		43178		SEE TABLE		SENSORMATIC		1 OF 1	