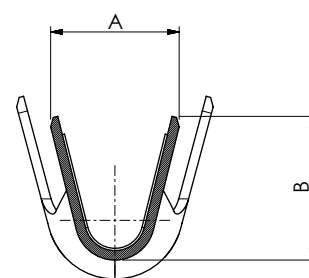
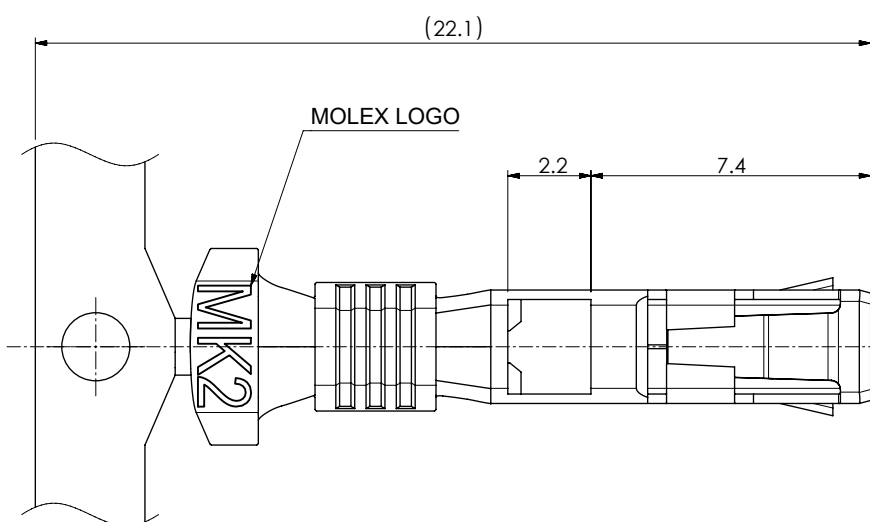
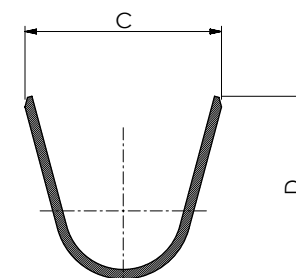


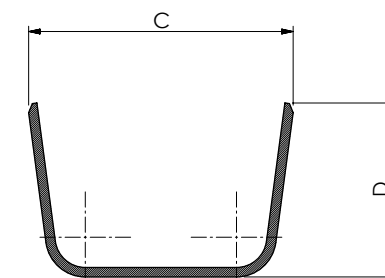
- NOTE.**
1. MATERIAL : COPPER ALLOY
  2. FINISH : PRE-TIN PLATED  
0.8 MICROMETER MIN. TIN PLATING
  3. RECOMMENDED WIRE : SEE THE TABLE
  4. PRODUCT SPECIFICATION : 2173470000PS
  5. PACKAGING SPECIFICATION : 2173478000PK
  6. MATES WITH : 217348 SERIES



SECTION Y-Y  
(Scale 5/1)



217348-8000/8100  
SECTION Z-Z  
(Scale 5/1)



217348-8200  
SECTION Z-Z  
(Scale 5/1)

[TABLE]

PART NO.	APPLICABLE WIRE (UL3321)	A	B	C	D	P
217348-8000	#14~18	3.4	3.8	5.2	4.8	12.00
217348-8100	#20~22	2.7	2.6	4.2	4.0	10.60
217348-8200	#18+18, #18+20, #20+20	3.88	3.45	7.0	4.6	15.00

FUNCTIONAL SYMBOLS FA = 0 FE = 0 FV = 0	THIS DRAWING CONTAINS INFORMATION THAT IS PROPRIETARY TO MOLEX ELECTRONIC TECHNOLOGIES, LLC AND SHOULD NOT BE USED WITHOUT WRITTEN PERMISSION	CURRENT REV DESC:		<b>molex</b>		
	DIMENSION UNITS: mm	SCALE: 5:1	EC NO: 730020			
DIVISIONAL SYMBOLS	GENERAL TOLERANCES (UNLESS SPECIFIED)	DRWN: SCHONG03		2022/03/17		
	ANGULAR TOL ± 3.0°	CHK'D: JDPARK01		2022/11/29		
	4 PLACES ±	APPR: JBJIN		2022/12/02		
	3 PLACES ±	INITIAL REVISION:		DOCUMENT NUMBER		
	2 PLACES ± 0.3	DRWN: SCHONG03		2021/05/24		
1 PLACE ± 0.3	APPR: JBJIN		2021/10/28			
0 PLACES ±	DRAFT WHERE APPLICABLE MUST REMAIN WITHIN DIMENSIONS		THIRD ANGLE PROJECTION		DRAWING: A3-SIZE	
		SERIES: 217348		MATERIAL NUMBER: 2173488000		
				CUSTOMER: PSD 000 B		
				SHEET NUMBER: 1 OF 1		