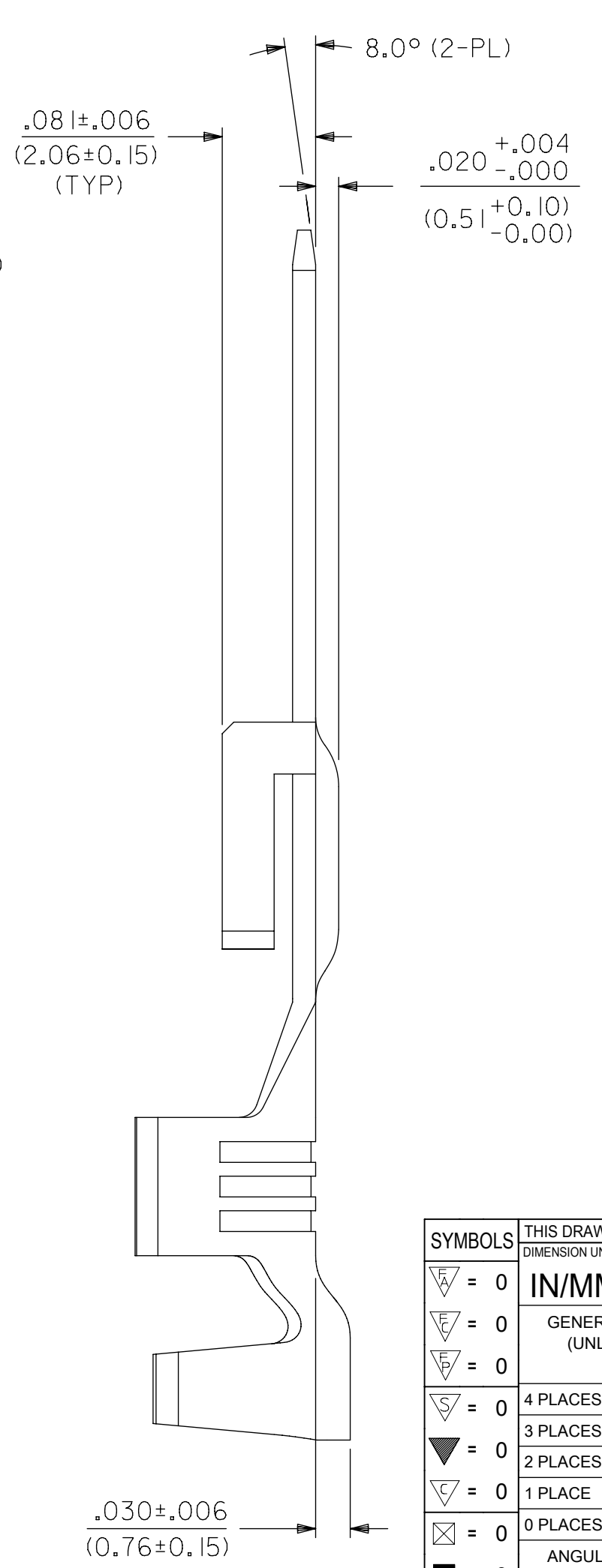
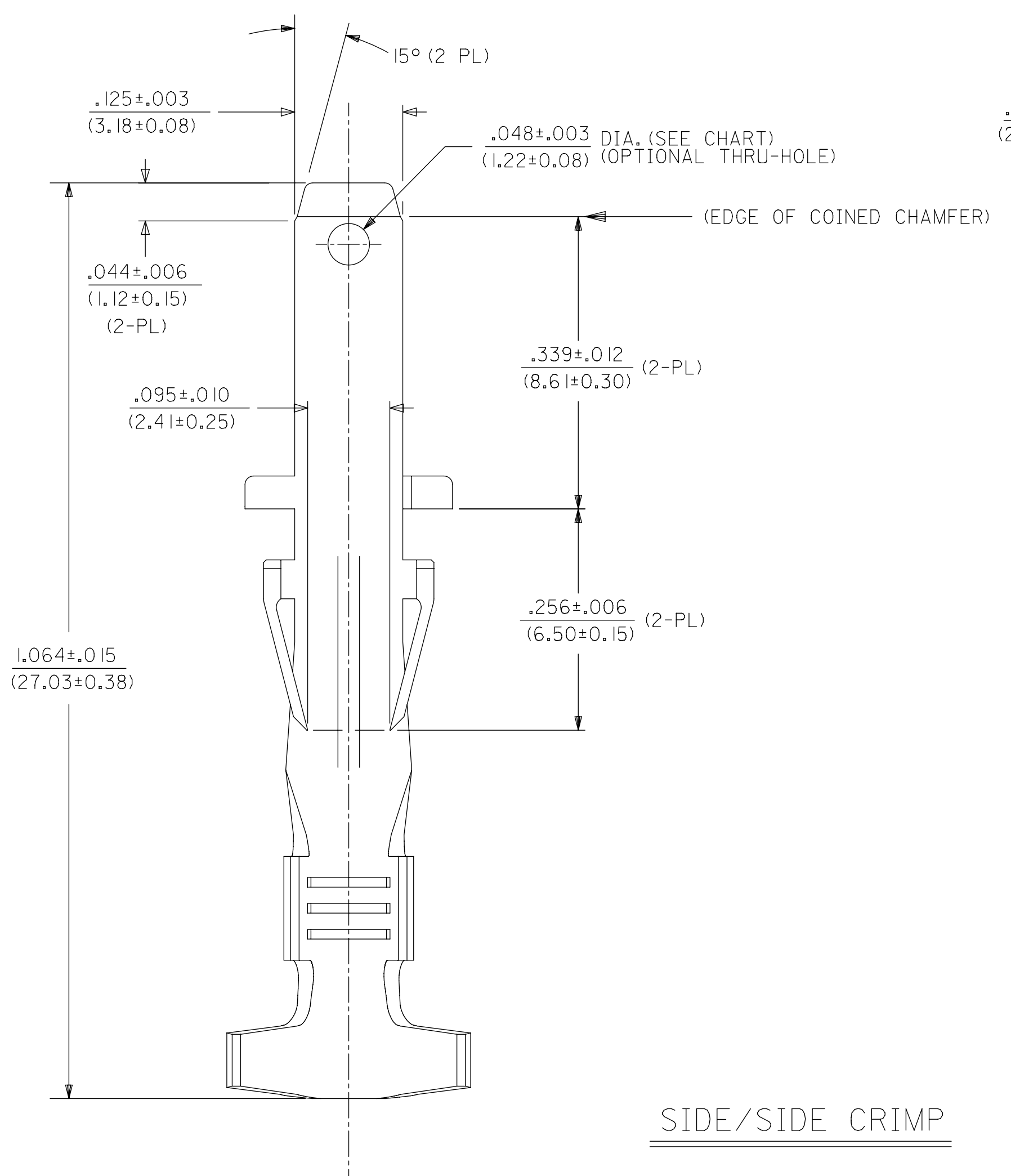
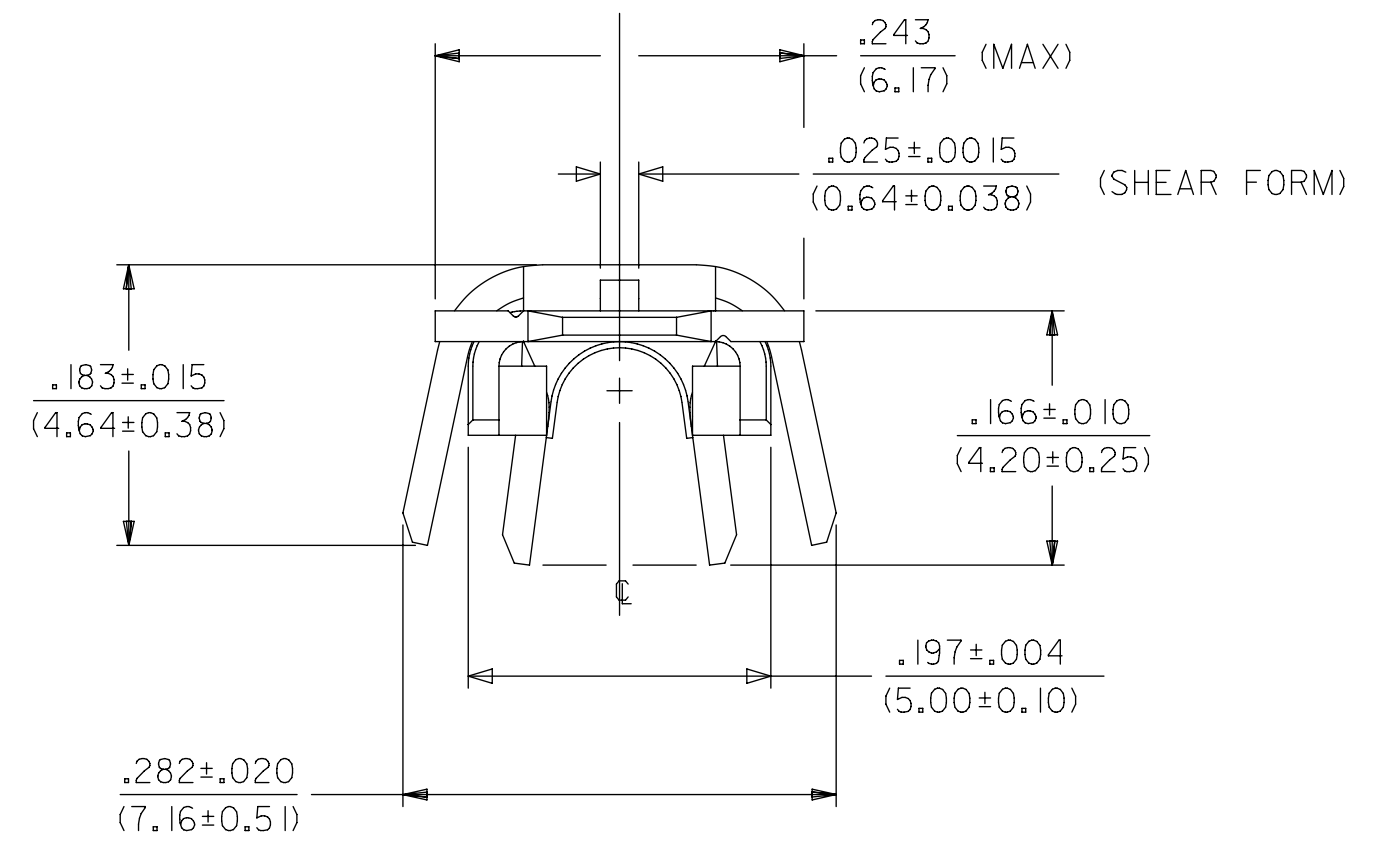


MATERIAL NUMBER	FINISH	HOLE
43178-3001	999	NOT USED
43178-3002	H901	NOT USED



SIDE/SIDE CRIMP

- NOTES:**
1. MATERIAL: BRASS
  2. FINISH:  
999 - UNPLATED  
H901 - 20 MICROINCH MIN. HOT TIN DIP
  3. PRODUCT SPECIFICATION: PS-44441-9999
  4. PACKAGING SPECIFICATION: 431780000-PK
  5. TERMINAL FOR USE IN 43680 SERIES HOUSINGS
  6. TERMINAL FOR USE WITH DOUBLE 18 AWG, UL 1015 STYLE WIRE (CRIMPED SIDE X SIDE)
  7. PARTS CONFORM TO CLASS "B" REQUIREMENTS OF COSMETIC SPECIFICATIONS PS-45499-002

THIS DRAWING CONTAINS INFORMATION THAT IS PROPRIETARY TO MOLEX ELECTRONIC TECHNOLOGIES, LLC AND SHOULD NOT BE USED WITHOUT WRITTEN PERMISSION									
SYMBOLS		DIMENSION UNITS		SCALE		CURRENT REV DESC: ADD NOTES			
∇ = 0	∇ = 0	IN/MM	8:1						
∇ = 0	∇ = 0	GENERAL TOLERANCES (UNLESS SPECIFIED)							
∇ = 0	∇ = 0		MM	INCH					
∇ = 0	∇ = 0	4 PLACES	±	±	EC NO: 617584				
∇ = 0	∇ = 0	3 PLACES	±	± 0.01	DRWN: JEHRISMAN 2019/04/02				
∇ = 0	∇ = 0	2 PLACES	± 0.25	± 0.014	CHK'D: MKIPPER 2019/06/13				
∇ = 0	∇ = 0	1 PLACE	± 0.35	±	APPR: FSMITH 2019/06/18				
∇ = 0	∇ = 0	0 PLACES	±	±	INITIAL REVISION:				
∇ = 0	∇ = 0	ANGULAR TOL	± 0.5°		DRWN: MAB 1995/06/16				
∇ = 0	∇ = 0	DRAFT WHERE APPLICABLE MUST REMAIN WITHIN DIMENSIONS		THIRD ANGLE PROJECTION		DRAWING		SERIES	
				C-SIZE		43178			

DOCUMENT NUMBER				DOC TYPE		DOC PART		REVISION	
SD-43178-3XXX				PSD		001		C3	
MATERIAL NUMBER			CUSTOMER			SHEET NUMBER			
SEE TABLE			WHIRLPOOL			1 OF 1			