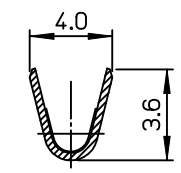
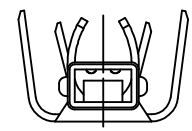
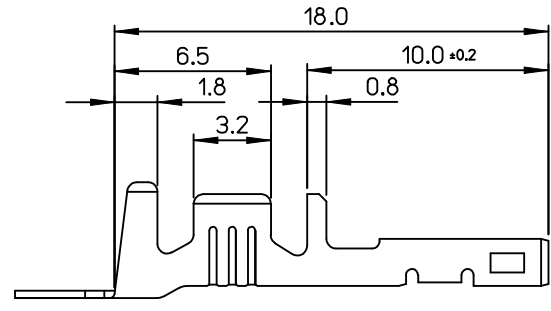
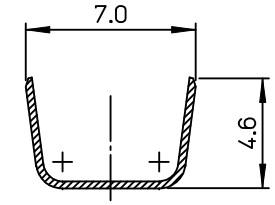


NOTES

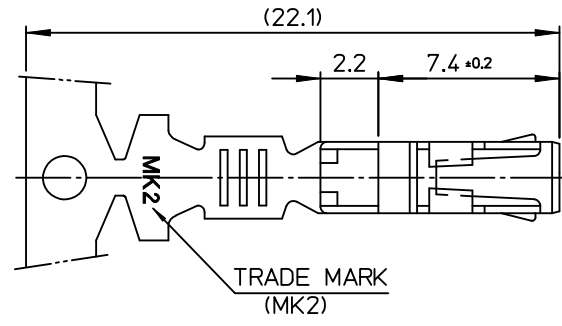
1. MATERIAL : PHOSPHOR BRONZE
0.3mm THICKNESS
2. FINISH : PRE-PLATED TIN
3. RECOMMENDED LENGTH OF WIRE STRIP IS 4.0-4.8mm.
- ② 4. APPLICABLE WIRE SIZE : AWG #20+#20
AWG #20+#18
AWG #18+#18



SECTION C-C



SECTION D-D



REVISED EC NO: KOR2016-0060 DRWN: JSSHIN 2015/12/24 CH'KD: SHCHU 2015/12/28 APPR:	DESCRIPTION D2	QUALITY SYMBOLS	GENERAL TOLERANCES (UNLESS SPECIFIED)		DIMENSION STYLE MM ONLY		SCALE 5:1	DESIGN UNITS METRIC	THIRD ANGLE PROJECTION																																		
		▼=0 ▽=0	<table border="1"> <thead> <tr> <th></th> <th>mm</th> <th>INCH</th> </tr> </thead> <tbody> <tr> <td>4 PLACES</td> <td>± ---</td> <td>± ---</td> </tr> <tr> <td>3 PLACES</td> <td>± ---</td> <td>± ---</td> </tr> <tr> <td>2 PLACES</td> <td>± 0.30</td> <td>± ---</td> </tr> <tr> <td>1 PLACE</td> <td>± 0.30</td> <td>± ---</td> </tr> <tr> <td colspan="3">ANGULAR ± 1 °</td> </tr> </tbody> </table>		mm	INCH	4 PLACES	± ---	± ---	3 PLACES	± ---	± ---	2 PLACES	± 0.30	± ---	1 PLACE	± 0.30	± ---	ANGULAR ± 1 °			<table border="1"> <thead> <tr> <th>DRAWN BY</th> <th>DATE</th> <th>TITLE</th> </tr> </thead> <tbody> <tr> <td>BKCHOI</td> <td>1992/11/17</td> <td rowspan="2">.070 FEMALE TERMINAL (A-TYPE)</td> </tr> <tr> <td>CHECKED BY</td> <td>DATE</td> </tr> <tr> <td>BKCHOI</td> <td>1992/11/17</td> <td rowspan="2">MOLEX INCORPORATED</td> </tr> <tr> <td>APPROVED BY</td> <td>DATE</td> </tr> <tr> <td>CWLEE</td> <td>1992/11/17</td> <td>DOCUMENT NO.</td> </tr> <tr> <td colspan="2">MATERIAL NO. 357460310</td> <td>SHEET NO. 1 OF 01</td> </tr> </tbody> </table>	DRAWN BY	DATE	TITLE	BKCHOI	1992/11/17	.070 FEMALE TERMINAL (A-TYPE)	CHECKED BY	DATE	BKCHOI	1992/11/17	MOLEX INCORPORATED	APPROVED BY	DATE	CWLEE	1992/11/17	DOCUMENT NO.	MATERIAL NO. 357460310		SHEET NO. 1 OF 01	THIS DRAWING CONTAINS INFORMATION THAT IS PROPRIETARY TO MOLEX INCORPORATED AND SHOULD NOT BE USED WITHOUT WRITTEN PERMISSION	
			mm	INCH																																							
		4 PLACES	± ---	± ---																																							
3 PLACES	± ---	± ---																																									
2 PLACES	± 0.30	± ---																																									
1 PLACE	± 0.30	± ---																																									
ANGULAR ± 1 °																																											
DRAWN BY	DATE	TITLE																																									
BKCHOI	1992/11/17	.070 FEMALE TERMINAL (A-TYPE)																																									
CHECKED BY	DATE																																										
BKCHOI	1992/11/17	MOLEX INCORPORATED																																									
APPROVED BY	DATE																																										
CWLEE	1992/11/17	DOCUMENT NO.																																									
MATERIAL NO. 357460310		SHEET NO. 1 OF 01																																									
DRAFT WHERE APPLICABLE MUST REMAIN WITHIN DIMENSIONS																																											