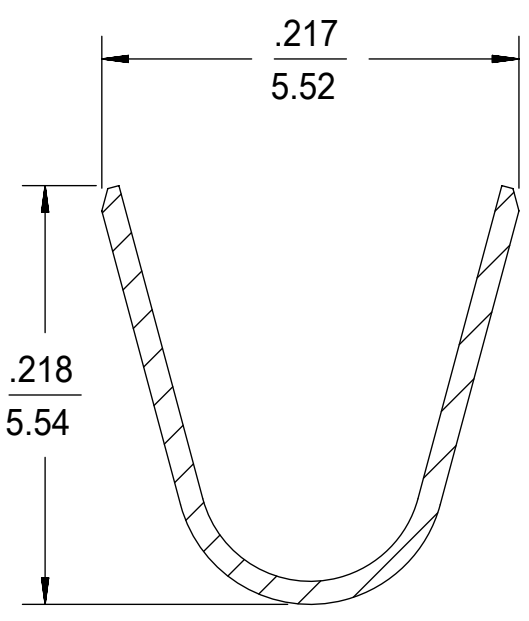
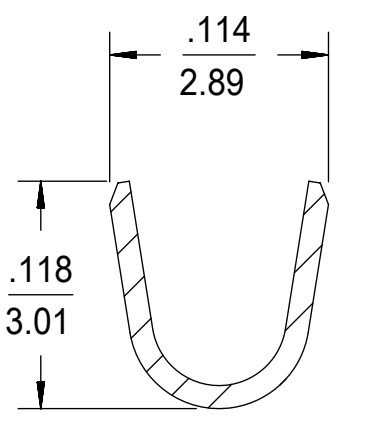


- NOTES:
1. MATERIAL: BRASS
 2. FINISH: 20 MICROINCH / 0.5 MICROMETER MIN. PREPLATED HOT TIN DIP.
 3. PRODUCT SPECIFICATION: PS-44441-9999.
 4. PACKAGING: TERMINALS WOUND ON 24" REELS WITH PAPER INTERLEAF, 3000 PER REEL PER 433750000-PK.
 5. THIS TERMINAL FOR USE WITH 44441 SERIES HOUSINGS IS INTENDED FOR USE WITH TWO 20 AWG STRANDED WIRES, UL STYLE 1007 OR 1015.
 6. TERMINAL MATES TO .125/3.18 WIDE X .020/0.51 THICK FLAT BLADE TERMINALS. MATING TERMINAL SERIES: 43178
 7. PARTS CONFORM TO CLASS 'B' REQUIREMENTS OF PS-45499-002.
 8. TERMINAL HAS TPA (TOTAL POSITIONING ASSURANCE) OPTIONAL ACTIVATION FEATURE THAT WHEN ACTIVATED AND USED WITH MOLEX "SABRE" SERIES RECEPTACLE HOUSINGS PROVIDES A SECONDARY LOCK SYSTEM WHICH ENSURES AGAINST TERMINAL BACKOUTS.



THIS DRAWING CONTAINS INFORMATION THAT IS PROPRIETARY TO MOLEX ELECTRONIC TECHNOLOGIES, LLC AND SHOULD NOT BE USED WITHOUT WRITTEN PERMISSION									
SYMBOLS		DIMENSION UNITS		SCALE		CURRENT REV DESC: ADD PK SPEC			
▽ = 0		IN/MM		10:1		molex TERMINAL, FEM. 18-20 AWG W/TPA; FOR .125 WD. TABS UL 1007 OR 1015 WIRE			
▽ = 0		GENERAL TOLERANCES (UNLESS SPECIFIED)							
▽ = 0						EC NO: 617584			
S = 0		4 PLACES ±		±		DRWN: JEHRISMAN		2019/04/02	
▽ = 0		3 PLACES ±		± 0.01		CHK'D: MKIPPER		2019/06/13	
▽ = 0		2 PLACES ±		± 0.25 ± 0.014		APPR: FSMITH		2019/06/18	
▽ = 0		1 PLACE ±		± 0.35 ±		INITIAL REVISION:			
⊠ = 0		0 PLACES ±		±		DRWN: BWIRKUS		2010/02/11	
■ = 0		ANGULAR TOL		± 0.5 °		APPR: BWIRKUS		2010/02/15	
▽ = 0		DRAFT WHERE APPLICABLE MUST REMAIN WITHIN DIMENSIONS		THIRD ANGLE PROJECTION		DRAWING		SERIES	
				C-SIZE		43375		MATERIAL NUMBER	
								CUSTOMER	
								SHEET NUMBER	
								SD-43375-331	
								PSD 001 A2	
								33755001	
								GENERAL MARKET	
								1 OF 1	