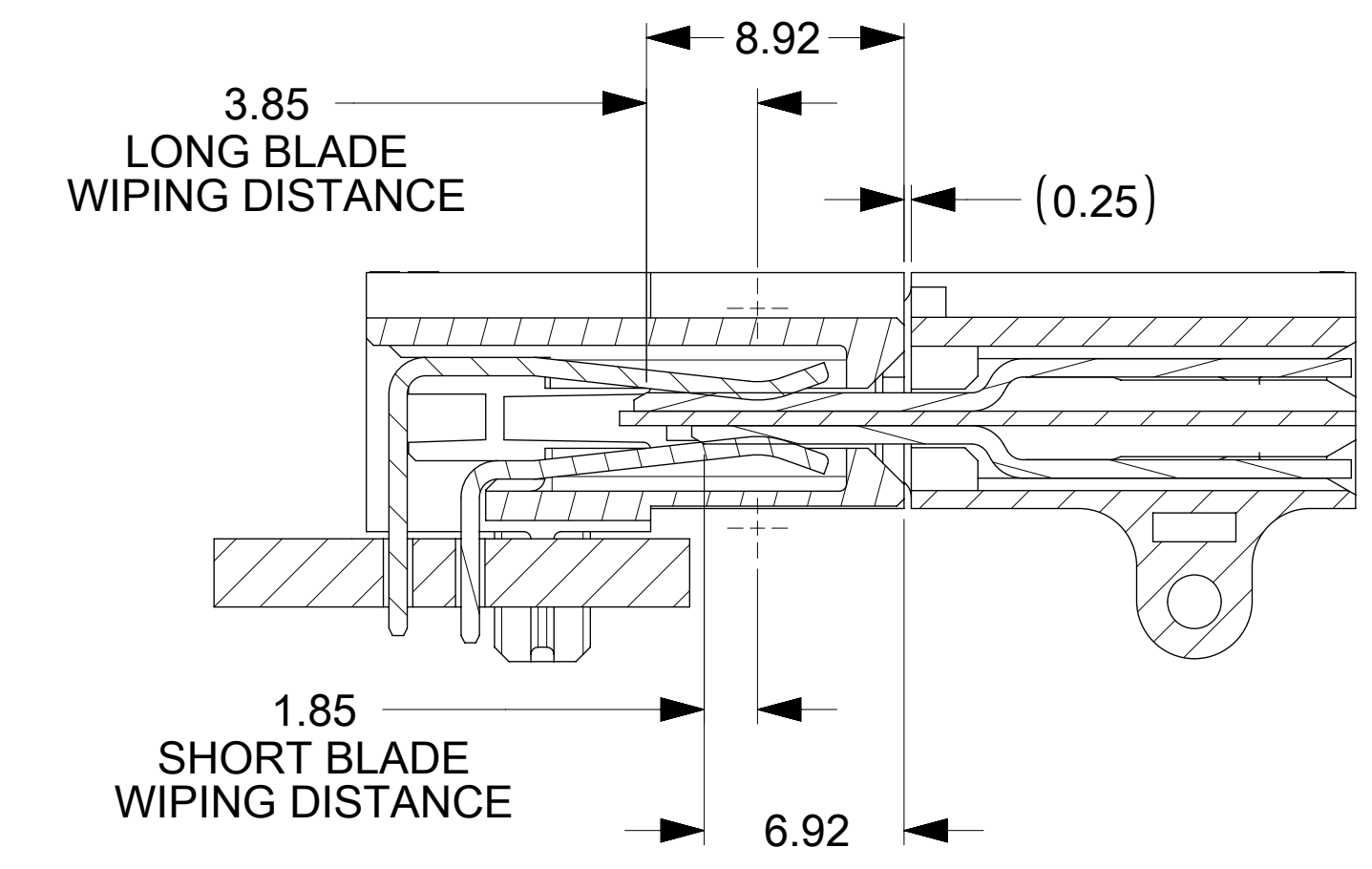
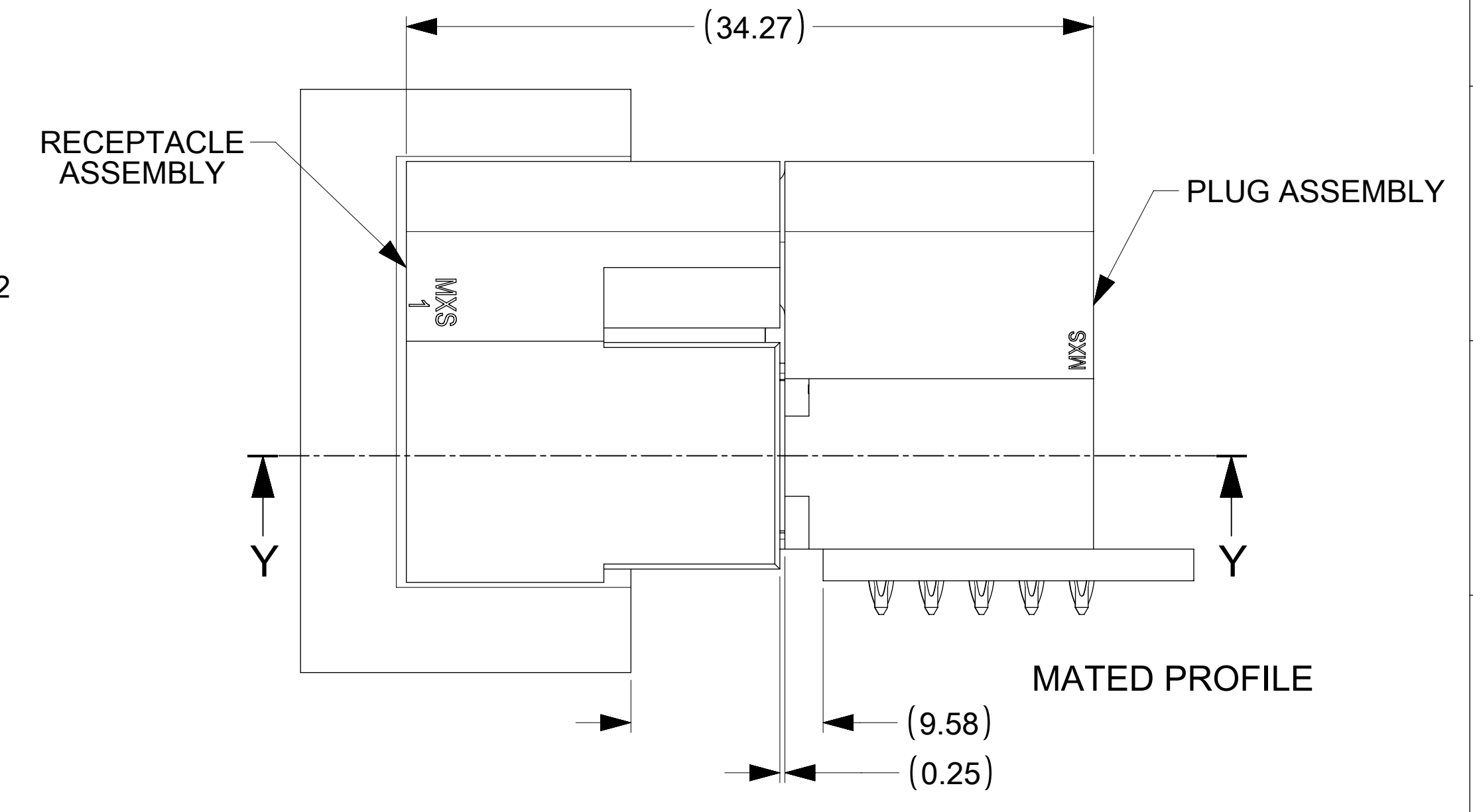
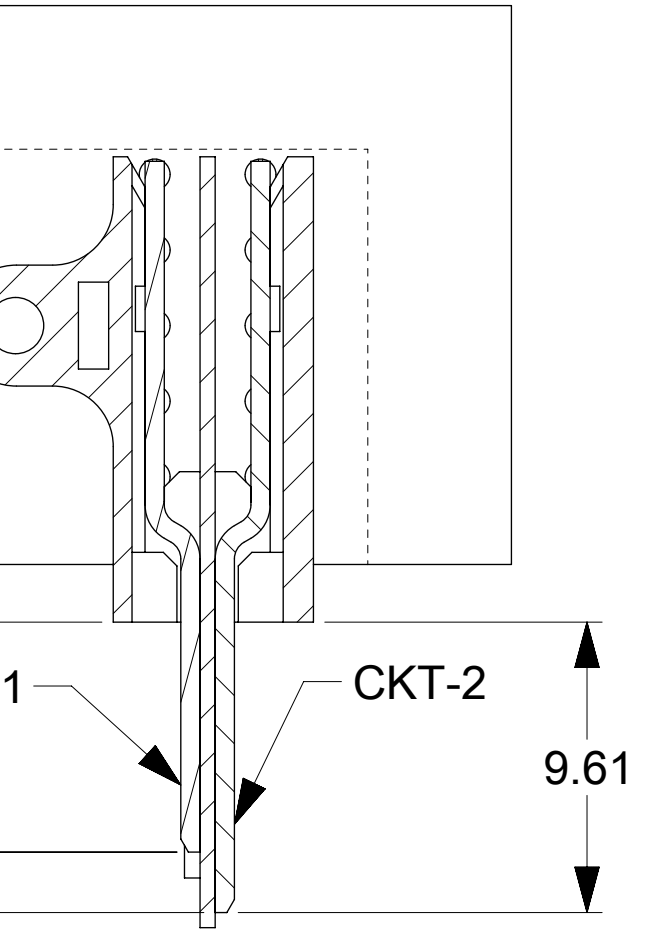
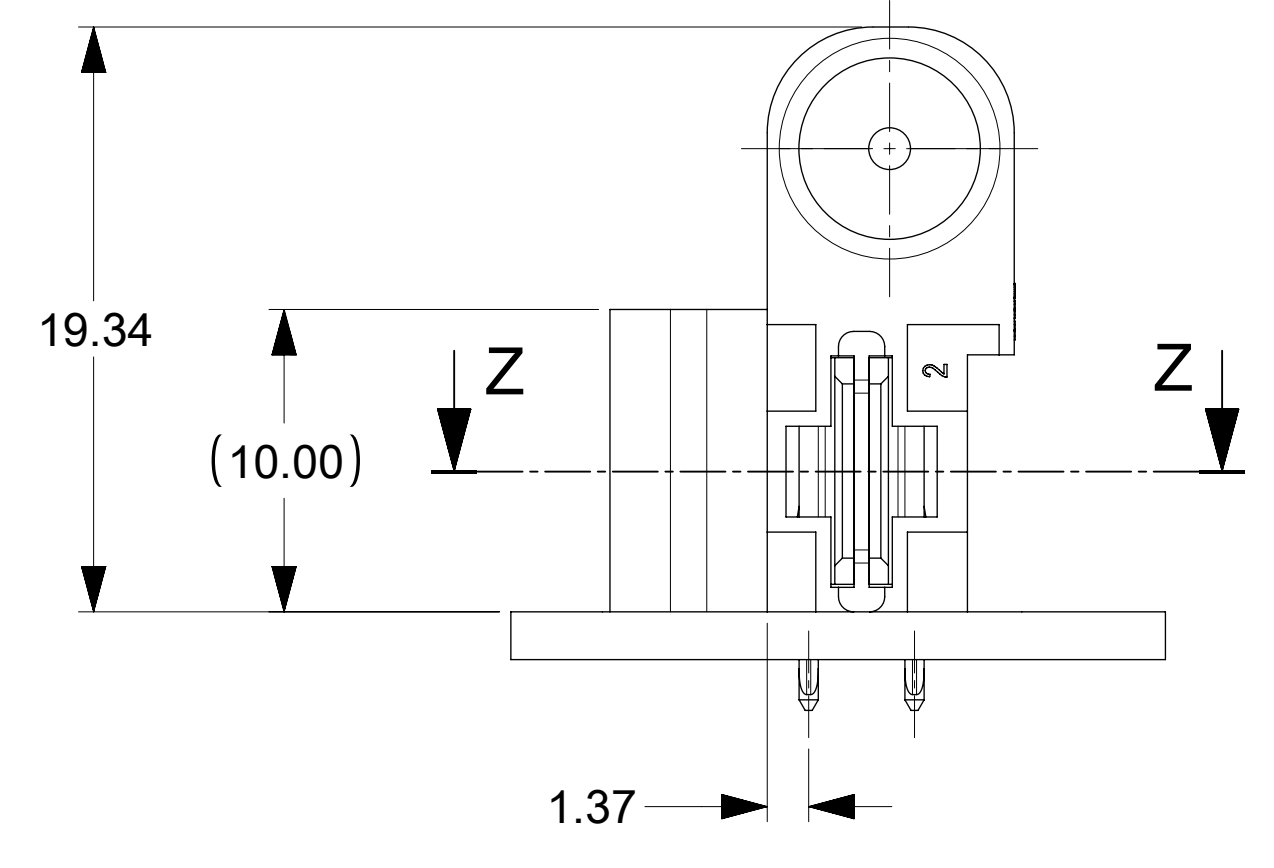


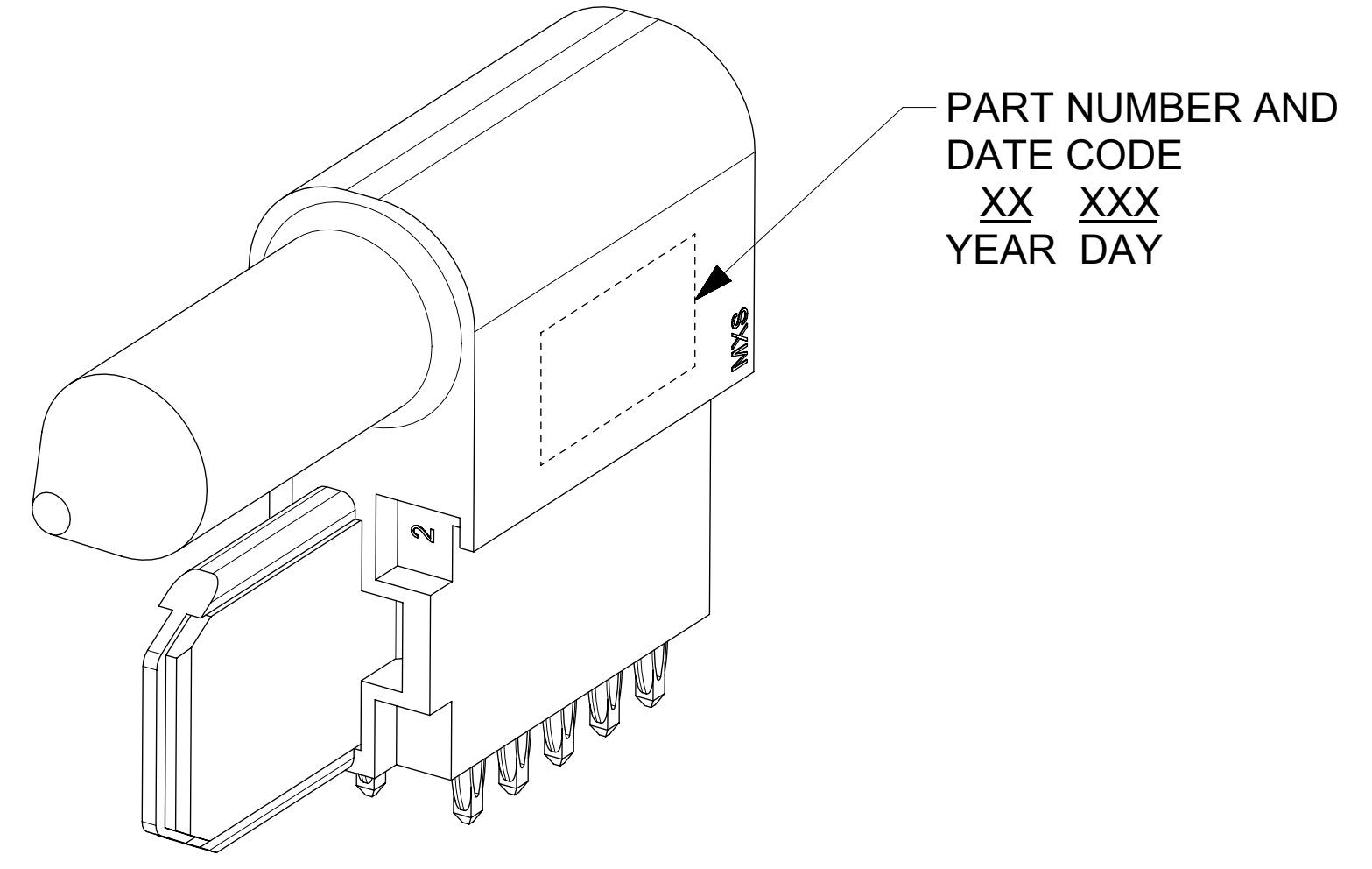
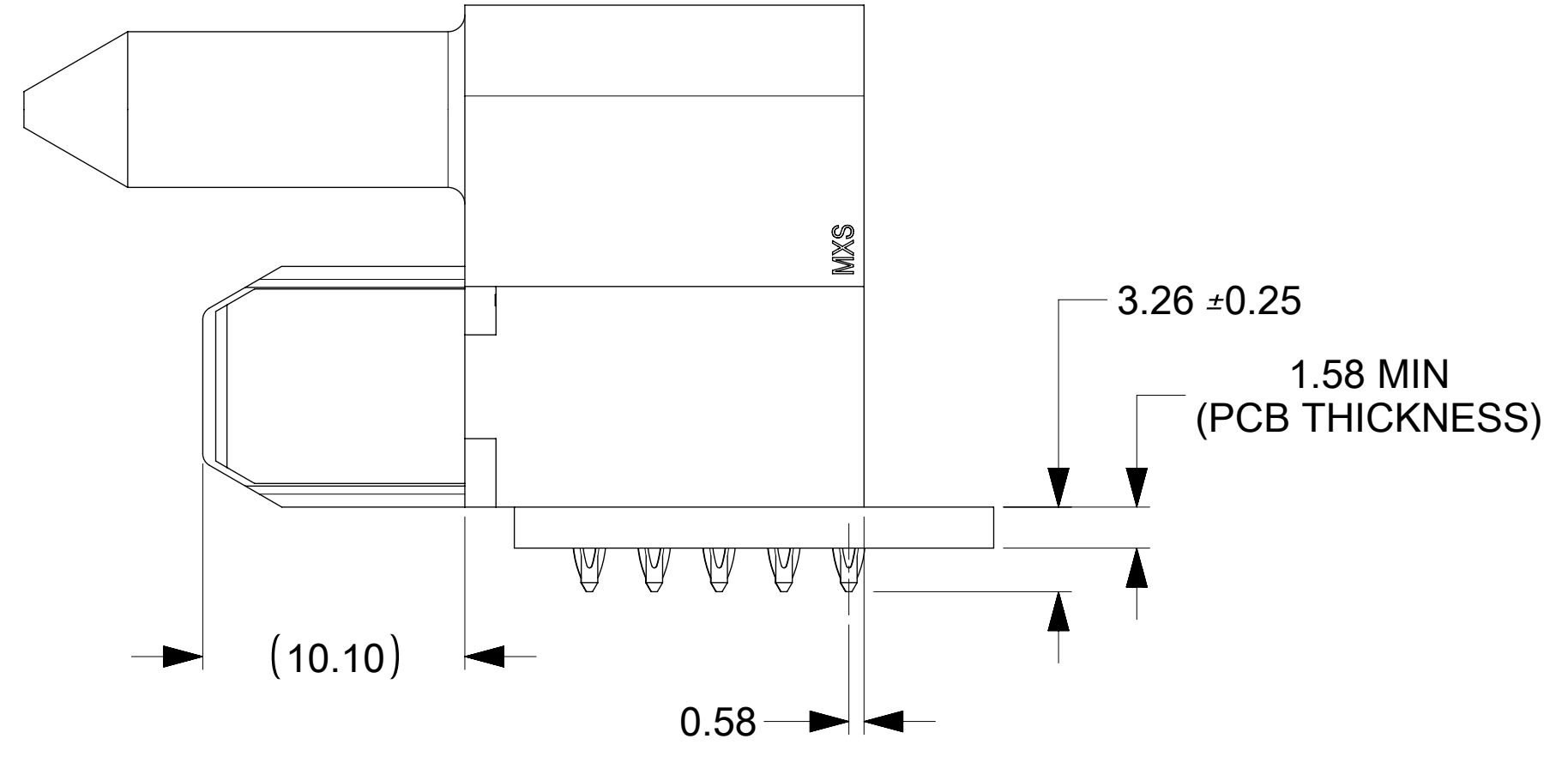
RECOMMENDED PCB LAYOUT AND KEEP-OUT ZONE



SECTION Y-Y



SECTION Z-Z



P/N: 172045-1001

PART NUMBER AND DATE CODE
XX XXX
YEAR DAY

NOTES:

- MATERIAL:
 - HOUSINGS: LCP UL94, V-0, COLOR : BLACK
 - TERMINALS: HIGH CONDUCTIVITY COPPER ALLOY
 - PLATING: 1.27 MICROMETER MIN. (50 MICROINCH) NICKEL OVERALL WITH 2.54 MICROMETER MIN. (100 MICROINCH) SELECTIVE TIN ON TAILS AND 0.762 MICROMETER MIN. (30 MICROINCH) SELECTIVE GOLD ON CONTACT AREA
- PACKAGING: ASSEMBLIES TO BE TRAY PACKED PER PACKAGING SPEC: PK-172045-1001
- PLATED THRU HOLE SIZE, REFER TO PS-46436-100 FOR DETAILS
- PRODUCT SPEC: PS-172047-1001
- APPLICATION SPEC: AS-46436-100
- PRODUCT TO MEET RoHS REQUIREMENTS
- ASSEMBLY MATES TO MOLEX RECEPTACLE ASSEMBLY SERIES 172047.
- TAIL DESIGN: COMPLIANT PIN.
- SCREW NOT SUPPLIED BY MOLEX. USE #2-32 X .375 TYPE AB SELF TAPPING SCREW. RECOMMENDED SCREW LENGTH CAN BE USED WITH UP TO A 4.4mm MAX BOARD THICKNESS.
- POWER CIRCUITS ARE LUBRICATED

THIS DRAWING CONTAINS INFORMATION THAT IS PROPRIETARY TO MOLEX ELECTRONIC TECHNOLOGIES, LLC AND SHOULD NOT BE USED WITHOUT WRITTEN PERMISSION									
DIMENSION UNITS	SCALE	CURRENT REV DESC: UPDATED TO MATE SERIES							
mm	4:1								
GENERAL TOLERANCES (UNLESS SPECIFIED)									
ANGULAR TOL	± 0.5°								
4 PLACES	±	EC NO: 640097							
3 PLACES	±	DRWN: MUM	2018/08/20						
2 PLACES	± 0.25	CHK'D: HTHYAGARAJ	2020/06/26						
1 PLACE	± 0.25	APPR: HTHYAGARAJ	2020/06/26						
0 PLACES	±	INITIAL REVISION:							
DRAFT WHERE APPLICABLE MUST REMAIN WITHIN DIMENSIONS		DRWN: EANG	2013/10/07						
		APPR: KHLIM	2013/10/22						
THIRD ANGLE PROJECTION	DRAWING	SERIES	MATERIAL NUMBER	CUSTOMER	SHEET NUMBER				
	D-SIZE	172045	1720451001	GENERAL MARKET	1 OF 1				