

10

9

8

7

6

5

4

3

2

1

F

F

E

E

D

D

C

C

B

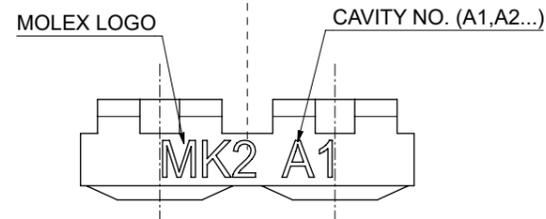
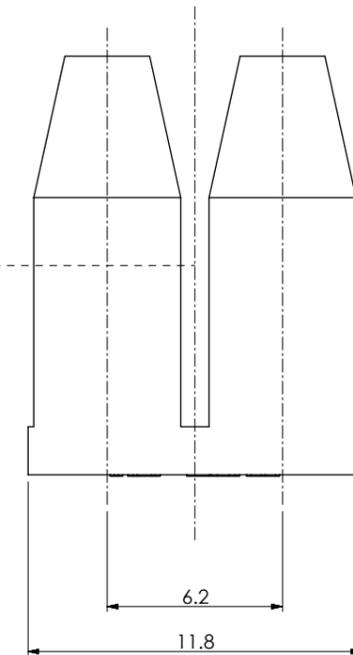
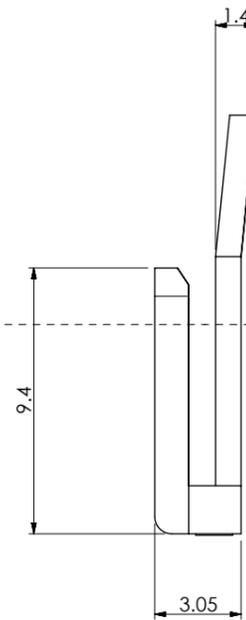
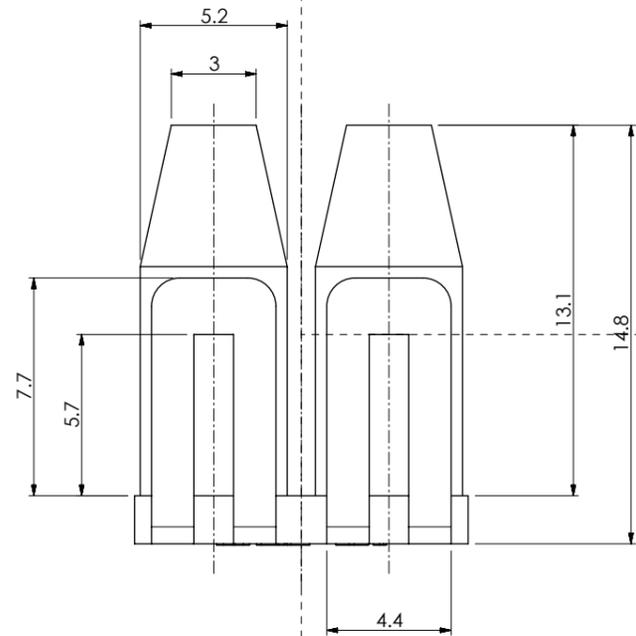
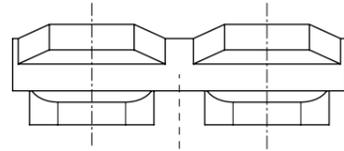
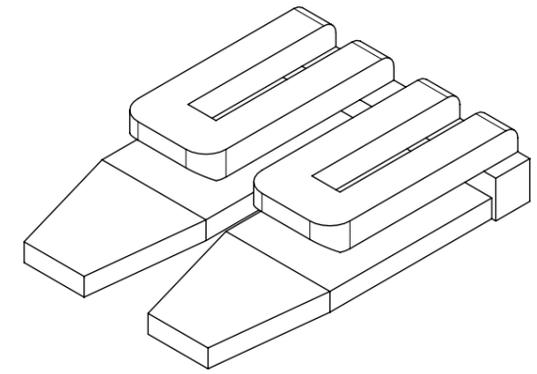
B

A

A

NOTE

- 1. MATERIAL : NYLON(PA6) UNFILLED, UL94V-0
COLOR : GRAY
- 2. APPLICATION HOUSING : 217347-0200/0400
217348-0200/0400
- 3. PRODUCT SPECIFICATION : 2173470000PS
- 4. PACKAGING SPECIFICATION : 2173470000PK



FUNCTIONAL SYMBOLS	THIS DRAWING CONTAINS INFORMATION THAT IS PROPRIETARY TO MOLEX ELECTRONIC TECHNOLOGIES, LLC AND SHOULD NOT BE USED WITHOUT WRITTEN PERMISSION		CURRENT REV DESC:		molex				
	△/A = 0	mm						SCALE 4:1	
DIVISIONAL SYMBOLS	GENERAL TOLERANCES (UNLESS SPECIFIED)		EC NO: 682922 DRWN: SCHONG03 2021/05/21 CHK'D: JDPARK01 2021/10/28 APPR: JBJIN 2021/10/28		HIGH TEMP VERSABLADE TPA 2P				
	ANGULAR TOL ± 3.0°				PRODUCT CUSTOMER DRAWING				
	4 PLACES	±			DOCUMENT NUMBER		DOC TYPE	DOC PART	REVISION
	3 PLACES	±			2173470290		PSD	000	A
	2 PLACES	± 0.35			INITIAL REVISION:		MATERIAL NUMBER		
1 PLACE	± 0.35	DRWN: SCHONG03 2021/05/21		CUSTOMER					
0 PLACES	± 0.35	APPR: JBJIN 2021/10/28		SERIES					
DRAFT WHERE APPLICABLE MUST REMAIN WITHIN DIMENSIONS		THIRD ANGLE PROJECTION	DRAWING	SHEET NUMBER	SHEET NUMBER				
			A3-SIZE	217347	1 OF 1				

9

8

7

6

5

4

3

2

1

9

8

7

6

5

4

3

2

1