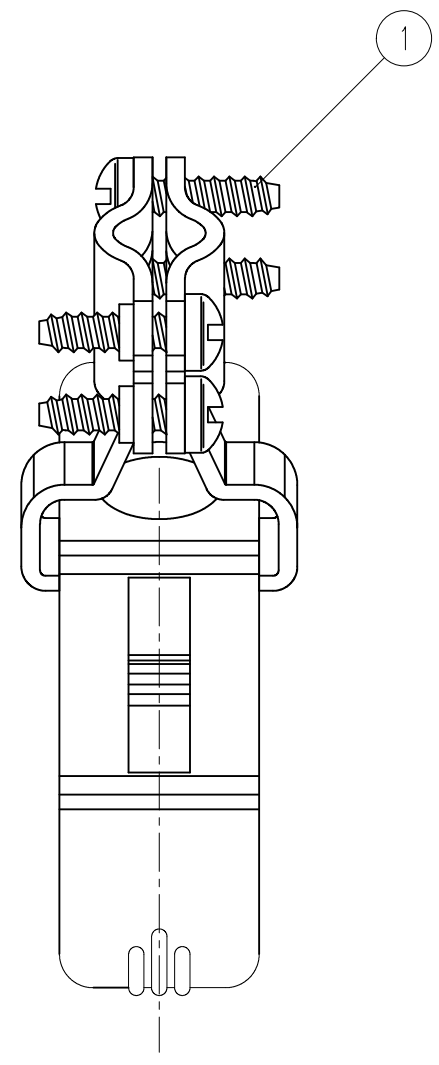
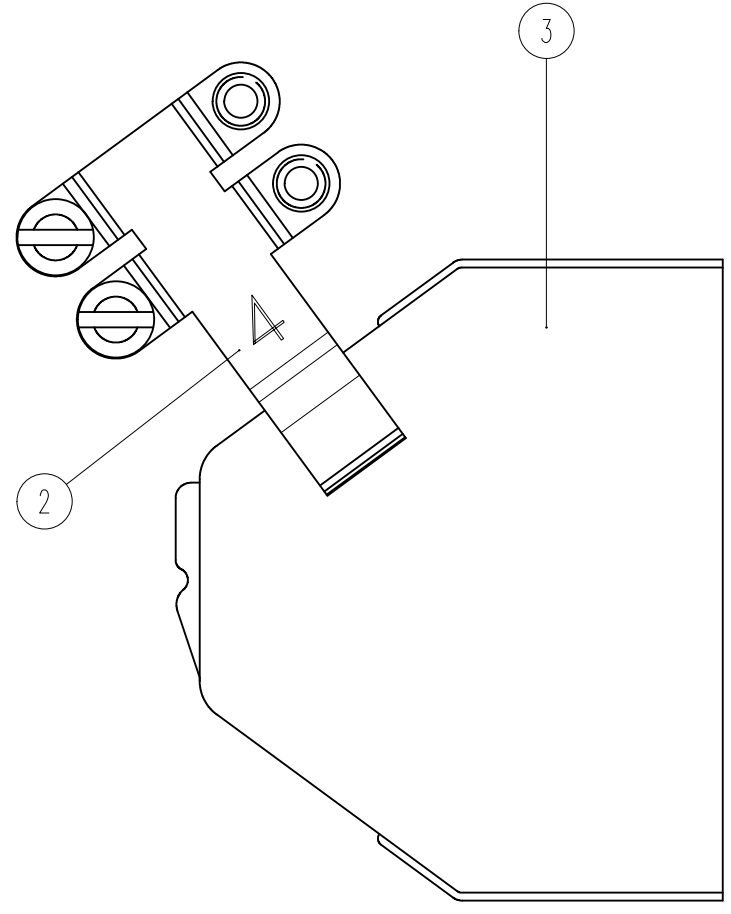


1	2	3	4	5	6	7
CINCH Connectors Ltd. WORKSOP, ENGLAND						
A						
RELEVANT SPEC.		83383 00		A0P		R01
SHEET 1 OF 1						
CAD No.p.R/683383 \						
IF IN DOUBT - ASK ALL DIMENSIONS ARE IN mm						



CUSTOMER DRAWING ONLY.

THIS DRAWING IS COPYRIGHT AND IS ISSUED ON CONDITION IT IS NOT COPIED, REPRODUCED OR DISCLOSED TO A THIRD PARTY WITHOUT THE CONSENT IN WRITING OF CINCH CONNECTORS LTD. ATTENTION IS DRAWN TO THE FACT THAT THE ARTICLE DISCLOSED MAY BE COVERED BY BRITISH OR FOREIGN PATENTS, GRANTED OR PENDING OR REGISTERED DESIGN.									
TITLE 4 WAY MOULDED SHELL ASSEMBLY									
GENERAL TOLERANCE		2 DECIMAL PLACES ± 0.10							
DATE		12.04.95							
MOD No.		09.09.80							
SHELL		R15308							
CLEAT		A							
SCREW		CUST ISS.							
DESCRIPTION		FINISH		ISSUE		APP'D		RAW MATERIAL	
CODE		FINISH TREATMENT		FINISHED HARDNESS		FINISHED COLOUR		DRN. JOHN PICKERING	
								DATE 12.04.95	
								SCALE 2:1	
								MATERIAL SPEC.	
								CHD .M.B.	
								APP'D G.F.S.	