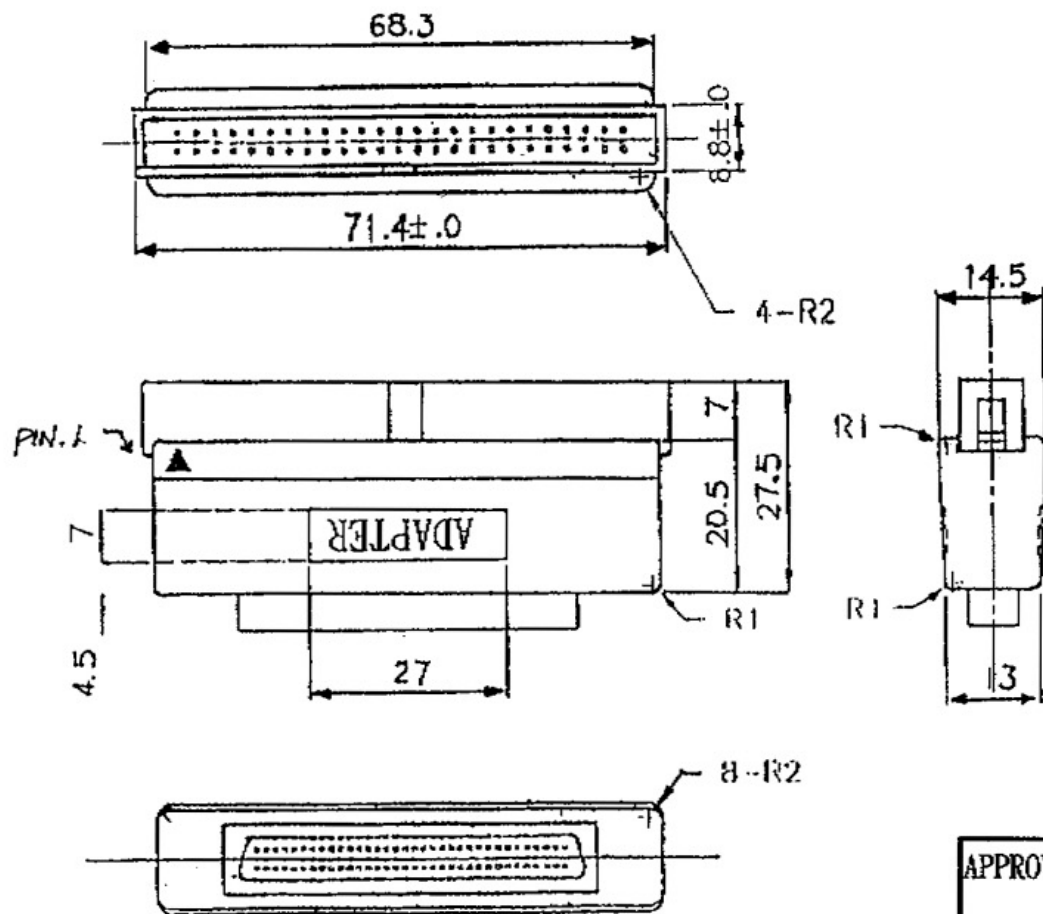


# ADAPTER

## PIN OUT



IDC50M - MD68M	IDC50M - MD68M
P1	P2
1	26
2	27
3	28
4	29
5	30
6	31
7	32
8	33
9	34
10	35
11	36
12	37
13	38
14	39
15	40
16	41
17	42
18	43
19	44
20	45
21	46
22	47
23	48
24	49
25	50
MD68M PIN 1 - 5, 31 - 34, 35 - 39	
IS EMPTY.	

APPROVED	MICHAEL	ASSMANN ELECTRONICS, INC.
CHECKED	JIMMY	P/N : AB-YI007
DRAWN	MICKY	DES. : MD68M/IDC50M