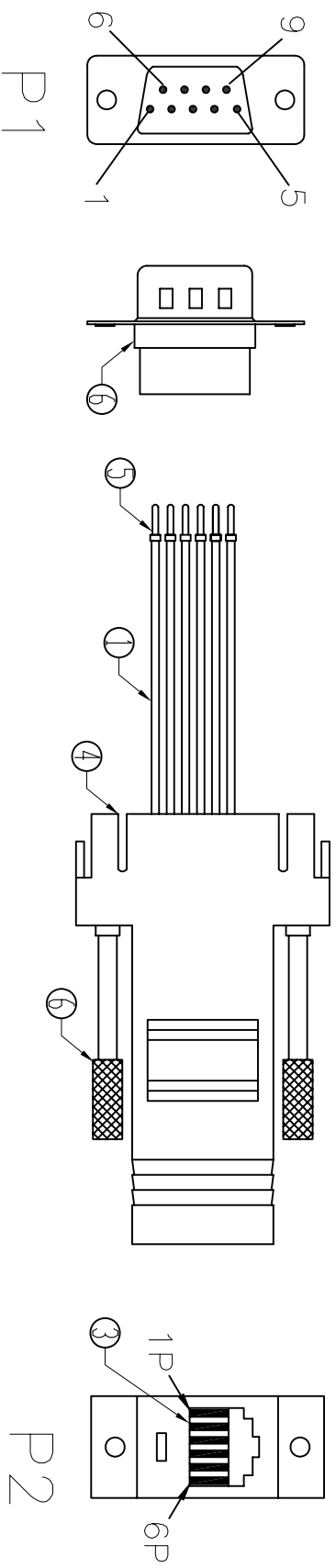
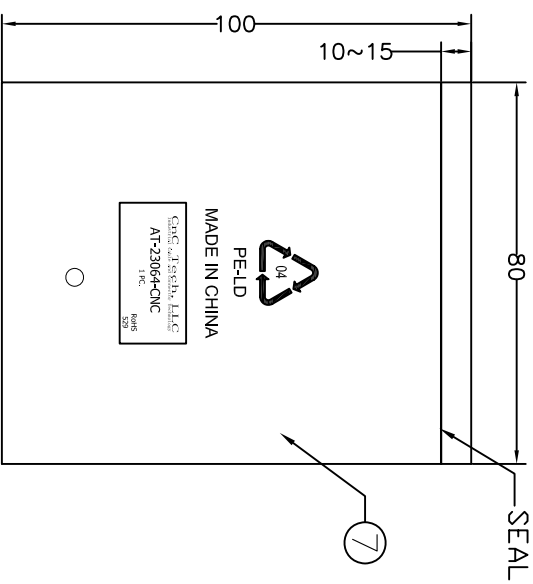


UNIT : MM



PIN ASSIGNMENT

P1	P2
WHITE	1
BLACK	2
RED	3
GREEN	4
YELLOW	5
BROWN	6



1PC/PE BAG

Cnc Tech, LLC
Industrial Cable and Connector Technology

⑩	PE BAG	1/10	CLEAR SIZE: 170*250*0.05mm PRINT BLACK*MADE IN CHINA*+10PCS* 及印生产周期, 有透气孔.
⑨	PE BAG	1	CLEAR SIZE: 80*100*0.05mm PRINT BLACK*MADE IN CHINA* 及印生产周期, 有透气孔.
⑧	SCREW	2	THUMSCREW 4*37MM
⑦	TER	6	DB 9P MALE TER G/F
⑥	ADAPTER	1	组壳 DB9P/M/RJ12 BEIGE
⑤	CONN	1	RJ12 6P8C JACK PIN 3U"
④	CONN	1	DB 9P MALE BLACK INSULATION 不插PIN
		1	UL 26AWG YELLOW L=60mm
		1	UL 26AWG GREEN L=60mm
		1	UL 26AWG RED L=60mm
		1	UL 26AWG BLACK L=60mm
		1	UL 26AWG WHITE L=60mm
		1	UL 26AWG BROWN L=60mm
①	CABLE		
		1	UL 26AWG BLACK L=60mm
		1	UL 26AWG WHITE L=60mm
		1	UL 26AWG BROWN L=60mm

SPECIFICATION

NO. NAME QTY

4

3

2

1

A

B

C

D

A

B

C

D