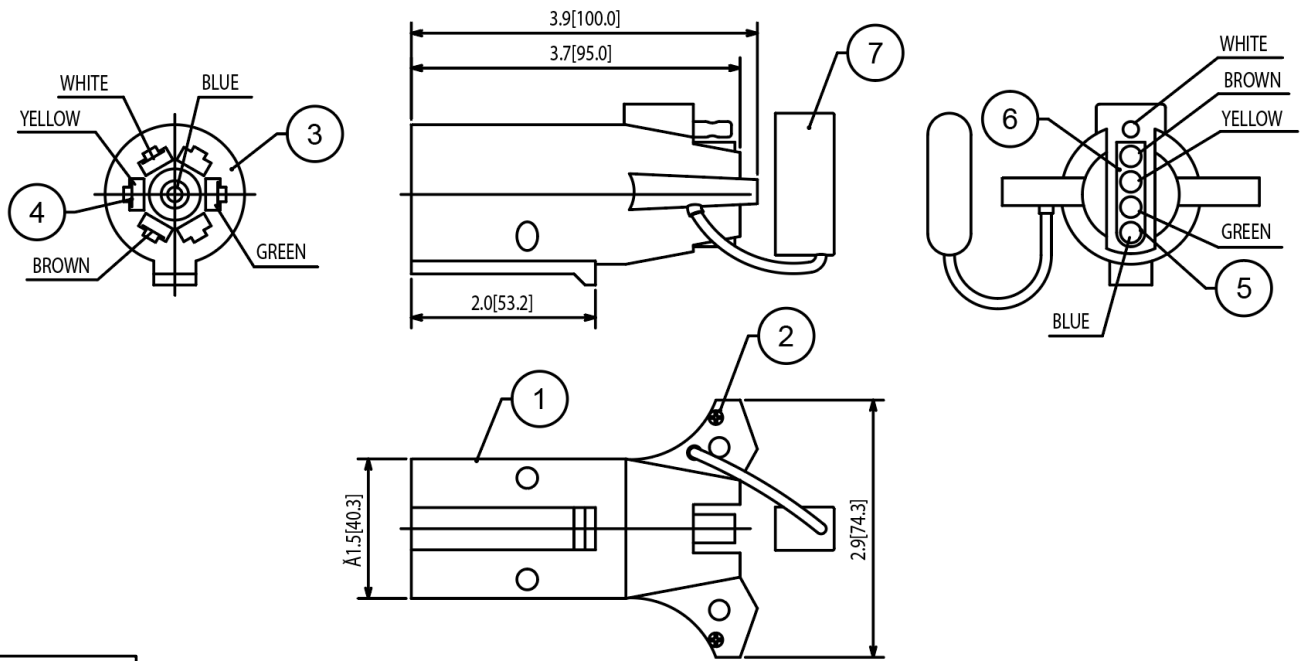


Mechanical Dimensions: Inches [mm]

Tolerances ± 0.012 [0.3] Unless Otherwise Specified



TOLERANCES:
 1mm~5mm:±0.1
 6mm~20mm:±0.2
 21mm~50mm:±0.3
 51mm~100mm:±0.5
 ANGLES:±1°

Material Specifications

ITEM#	NAME	MATERIAL
1	PLUG SHELL	NYLON
2	BASE SET SCREW	IRON
3	TERMINAL BASE	NYLON
4	TERMINAL	BRASS
5	4-WAY OVERMOLD TERMINAL	BRASS
6	4-WAY OVERMOLD	PVC
7	BOOT	PVC

Rev	Date of issue	Revision Notes	Designed	Approved
A	08-28-2019	Initial Drawing	RC	OH