

Data sheet

Panel feed through adapters M12 X-coded to RJ45 for electrical cabinets - angled

Page 1/7

P/N

MWN911A415

EAN 4250184157465

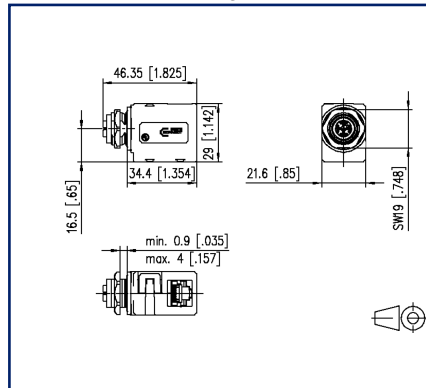
2022/06/22

Version: G

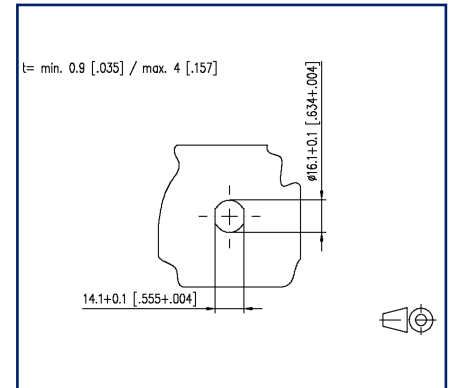
Illustrations



Dimensional drawing



Drill pattern



See enlarged drawings at the end of document

Product specification

- panel feed-through adapter M12 to RJ45 for control cabinets
- M12 jack X-coded, IP67, per IEC/PS 61076-2-109
- RJ45 jack, IP20, per IEC 60603-7-51
- suitable for 10 GBit per IEEE802.3an
- Cat.6_A
- plug-in direction: angled
- solid refined zinc die-cast housing
- suitable for applications in the railway industry according to data sheet

P | Cabling

Data sheet

Page 2/7

Panel feed through adapters M12 X-coded to RJ45 for electrical cabinets - angled

P/N

MWN911A415

EAN 4250184157465

2022/06/22

Version: G

Technical Data

General Data

| | |
|---|----------------------------------|
| Electromagnetic measurement according to MICE | E2 |
| Design | Jack |
| Mounting style | back side |
| Shielding | shielded |
| Transmission technology | Copper |
| Color | metallike |
| Dimensions | |
| Dimension (L x W x H) | 46.35 mm x 21.6 mm x 29 mm |
| Dimension (L x W x H) | 1.825 in. x 0.85 in. x 1.142 in. |
| Labeling option | on housing |

Transmission characteristics

| | |
|---------------------------------|----------------|
| Category (ISO) | 6 _A |
| Category (TIA) | 6A |
| Transmission rate up to 10 GBit | IEEE 802.3an |

Connections/interfaces

| | |
|--|------------|
| Connector technology interface 1 | RJ45-jack |
| Connector technology interface 2 | M12-jack |
| Coding interface 2 | X-coded |
| Number of ports interface 1 | 1 |
| Number of ports interface 2 | 1 |
| Number of equipped ports interface 1 | 1 |
| Number of ports interface 2 equipped | 1 |
| Number of positions/contacts interface 1 | 8P/8C |
| Number of positions/contacts interface 2 | 8 |
| Cable access/outlet | angled M12 |

Panel feed through adapters M12 X-coded to RJ45 for electrical cabinets - angled

P/N
MWN911A415
EAN 4250184157465
2022/06/22
Version: G

Technical Data

Electrical characteristics

| | |
|---------------------------|-------------------|
| Current carrying capacity | 0.5 A |
| Rated voltage | 50 V AC / 60 V DC |
| Insulation resistance | min. 100 MOhm |

Materials and material properties

| | |
|--------------------|--|
| Material - Housing | GD-Zn (zinc die-cast) |
| Halogen free | yes |
| Silicone free | no paint wetting interfering substances (LaBS) in the process chain |
| LaBS Note | subsequent contamination possible due to handling and possible storage in your company |
| Material - Finish | Ni (nickel) |
| RoHS | compliant |
| REACH | compliant |

Environmental conditions

| | |
|--------------------------------------|----------------------|
| Temperature (min. - max.) | |
| Temperature - Storage °C | -25 °C - 85 °C |
| Temperature - Storage °F | -13 °F - 185 °F |
| Temperature - Operating °C | -25 °C - 85 °C |
| Temperature - Operating °F | -13 °F - 185 °F |
| Particulate ingress interface 1 | IP2X |
| Liquid ingress/immersion interface 1 | IPX0 |
| Particulate ingress interface 2 | IP6X when plugged in |
| Liquid ingress/immersion interface 2 | IPX7 when plugged in |
| Overvoltage category | II |
| Degree of pollution | 2 |

Approvals

| | |
|----------------------|--------------|
| UL listed (file no.) | DUXR.E178484 |
|----------------------|--------------|

Panel feed through adapters M12 X-coded to RJ45 for electrical cabinets - angled

P/N
MWN911A415
EAN 4250184157465
2022/06/22
Version: G

Technical Data

Standards/Regulations

Application-specific communications cabling systems

| | |
|--|--|
| Profinet | yes |
| Connectors for electronic equipment | |
| circular connector | DIN EN 61076-2-109:2010-08 |
| Rectangular connectors | IEC 60603-7-51 |
| Railway applications | |
| Electronic equipment used on rolling stock | following to DIN EN 50155 |
| Fire protection on railway vehicles | following to DIN EN 45545-2 |
| Contact holder | Thermoplastic |
| Sealings | Elastomer |
| Shock and vibration | DIN EN 50155:2018-05, DIN EN 61373:2011-04 Class 1 Category B |
| Salt spray | DIN EN 50155:2018-05, (DIN EN 60068-2-11:2000-02/ 48h test KA) |

Classifications

| | |
|----------|----------|
| ETIM 5.0 | EC001134 |
| ETIM 6.0 | EC001134 |
| ETIM 7.0 | EC001134 |
| ETIM 8.0 | EC001134 |

Packing details

| | |
|-------------------|----------------|
| Type of packaging | 10 pc(s) / box |
|-------------------|----------------|

P | Cabling

Data sheet

Page 5/7

Panel feed through adapters M12 X-coded to RJ45 for electrical cabinets - angled

P/N

MWN911A415

EAN 4250184157465

2022/06/22

Version: G

Accessories

| P/N | Designation |
|--------|-------------------------------|
| 700701 | M12 screw plug for jacks IP54 |



P | Cabling

Data sheet

Page 6/7

Panel feed through adapters M12 X-coded to RJ45 for electrical cabinets - angled

P/N

MWN911A415

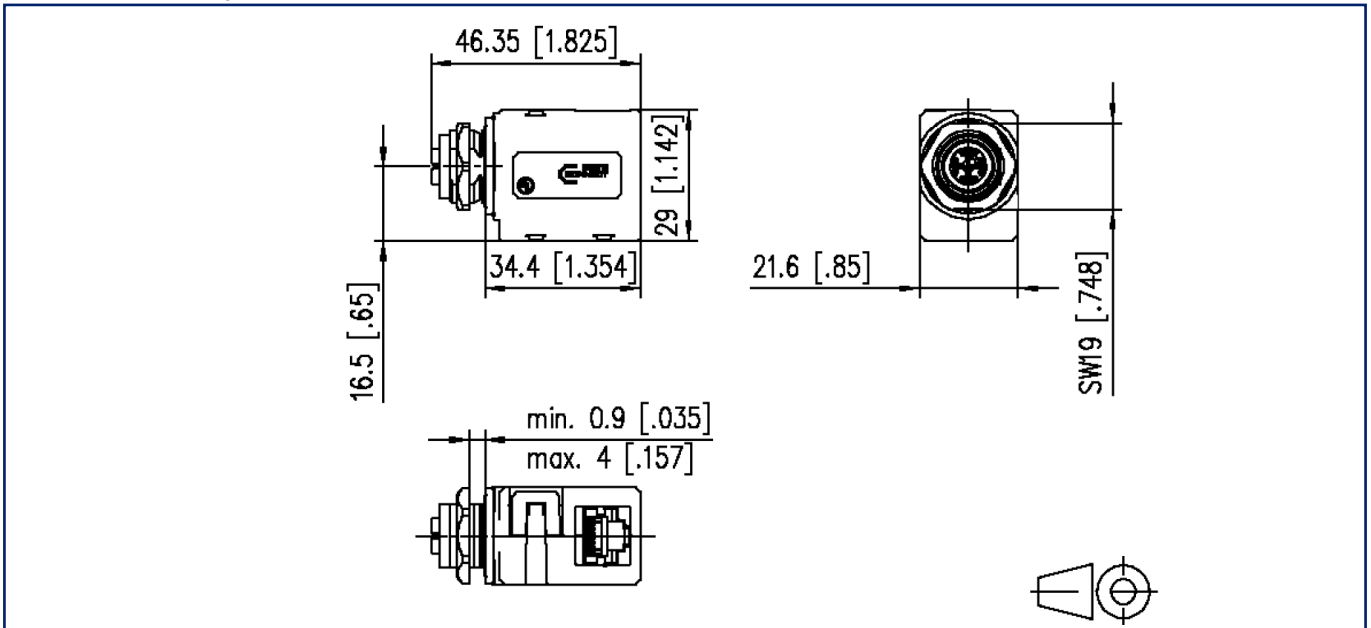
EAN 4250184157465

2022/06/22

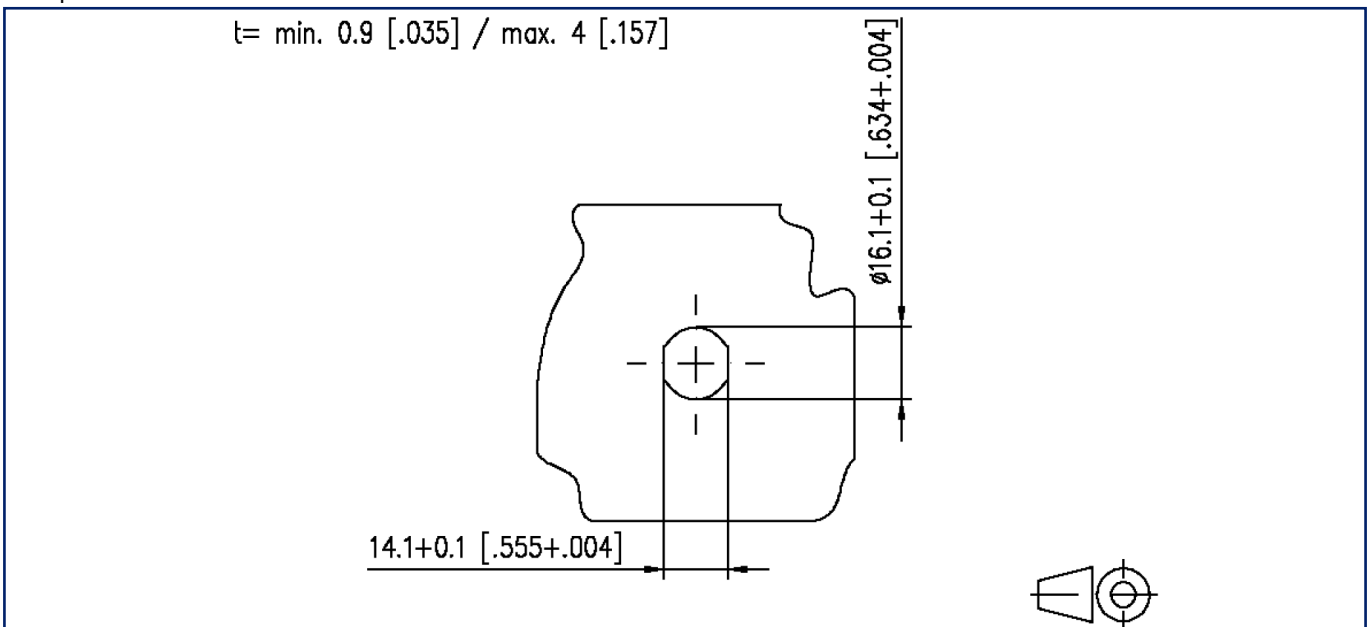
Version: G

Illustrations

Dimensional drawing



Drill pattern



P | Cabling

Data sheet

Page 7/7

Panel feed through adapters M12 X-coded to RJ45 for electrical cabinets - angled

P/N

MWN911A415

EAN 4250184157465

2022/06/22

Version: G

Illustrations

Wiring diagram

