

Li-Ion/Polymer Shunt Battery Charger System with Low Battery Disconnect

FEATURES

- **Charger Plus Pack Protection in One IC**
- **Low Operating Current (550nA)**
- **Near Zero Current (<0.1nA) Low Battery Disconnect Function to Protect Batteries from Over-Discharge**
- **Pin Selectable Low Battery Disconnect Level: 2.7V or 3.2V**
- 1% Float Voltage Accuracy Over Temperature
- 50mA Maximum Internal Shunt Current
- Pin Selectable Float Voltage Options: 4.0V, 4.1V, 4.2V
- Ultralow Power Pulsed NTC Float Conditioning for Li-Ion/Polymer Protection
- Suitable for Intermittent, Continuous and Very Low Power Charging Sources
- High Battery Status Output
- Thermally Enhanced, Low Profile (0.75mm) 8-Lead (2mm × 3mm) DFN and MSOP Packages

APPLICATIONS

- Low Capacity, Li-Ion/Polymer Battery Back-Up
- Thin Film Batteries
- Energy Scavenging/Harvesting
- Solar Power Systems with Back-Up
- Memory Back-Up
- Embedded Automotive

DESCRIPTION

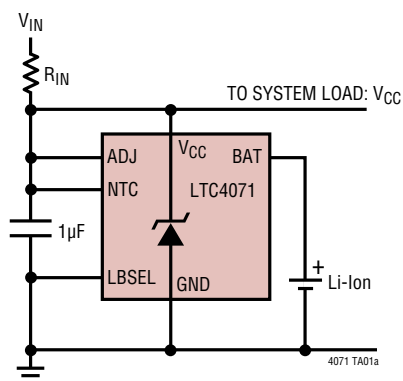
The LTC4071 allows simple charging of Li-Ion/Polymer batteries from very low current, intermittent or continuous charging sources. A near-zero current low battery latching disconnect function protects even the lowest capacity batteries from deep discharge and potentially irreparable damage. The 550nA to 50mA operating current makes charging possible from previously unusable sources. With its low operating current the LTC4071 is well suited to charge low capacity Li-Ion or thin film batteries in energy harvesting applications. The unique architecture of the LTC4071 allows for an extremely simple battery charger solution, requiring just one external resistor.

The LTC4071 offers a pin selectable float voltage with ±1% accuracy. The integrated thermal battery qualifier extends battery lifetime and improves reliability by automatically reducing the battery float voltage at NTC thermistor temperatures above 40°C. The LTC4071 also provides two pin selectable low battery disconnect levels and a high battery status output.

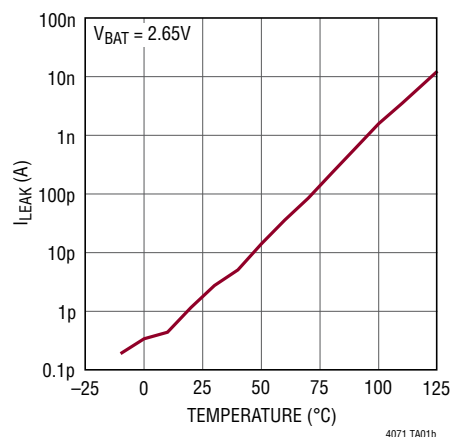
The device is offered in two thermally enhanced packages, a compact low profile (0.75mm) 8-lead (2mm × 3mm) DFN and an 8-lead MSOP package.

All registered trademarks and trademarks are the property of their respective owners.

TYPICAL APPLICATION



Battery Disconnect I_{LEAK} vs Temperature

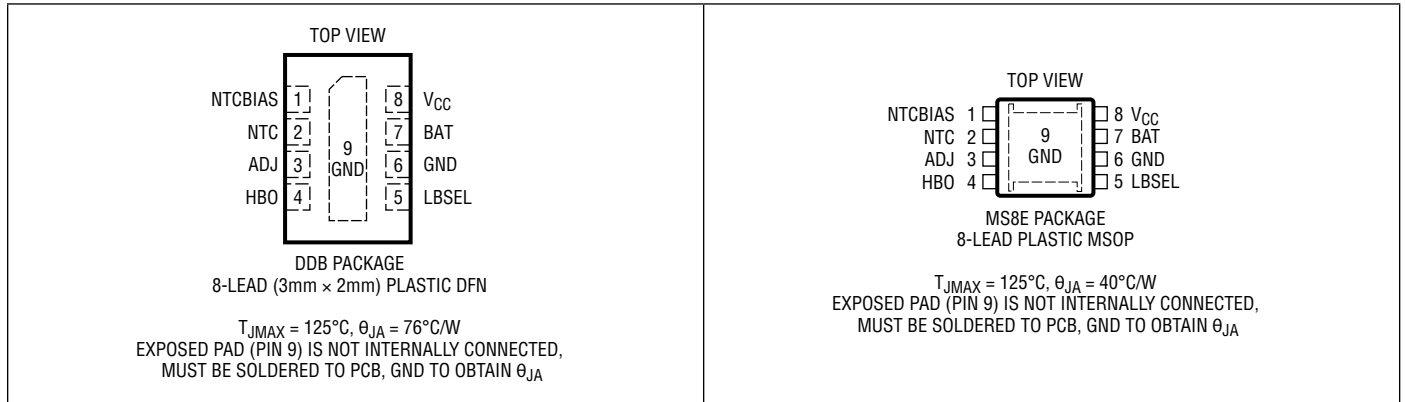


LTC4071

ABSOLUTE MAXIMUM RATINGS (Notes 1, 2)

I_{CC}, I_{BAT}	$\pm 60\text{mA}$ Continuous	LBSSEL Voltage	-0.3V to 6V
I_{BAT}	400mA for Single Pulse $< 10\text{ms}$	Operating Junction Temperature Range..	-40°C to 125°C
I_{CC}	-400mA for Single Pulse $< 10\text{ms}$	Storage Temperature Range	-65°C to 150°C
ADJ, NTC, NTCBIAS, HBO Voltages..	-0.3V to $V_{CC} + 0.3\text{V}$	Peak Reflow Temperature	260°C

PIN CONFIGURATION



ORDER INFORMATION

LEAD FREE FINISH	TAPE AND REEL	TAPE AND REEL (MINI)	PART MARKING*	PACKAGE DESCRIPTION	TEMPERATURE RANGE
	LTC4071EDD#TRPBF	LTC4071EDD#TRMPBF	LFXF	8-Lead Plastic DFN	-40°C to 125°C
	LTC4071IDD#TRPBF	LTC4071IDD#TRMPBF	LFXF	8-Lead Plastic DFN	-40°C to 125°C
LTC4071EMS8E#PBF	LTC4071EMS8E#TRPBF		LTFXG	8-Lead Plastic MSOP	-40°C to 125°C
LTC4071IMS8E#PBF	LTC4071IMS8E#TRPBF		LTFXG	8-Lead Plastic MSOP	-40°C to 125°C

Contact the factory for parts specified with wider operating temperature ranges. *The temperature grade is identified by a label on the shipping container.

[Tape and reel specifications](#). Some packages are available in 500 unit reels through designated sales channels with #TRMPBF suffix.

ELECTRICAL CHARACTERISTICS The ● denotes the specifications which apply over the full operating junction temperature range. Conditions are $V_{NTC} = V_{ADJ} = V_{CC}$, $V_{LBSSEL} = \text{GND}$, $T_A = 25^{\circ}\text{C}$ unless otherwise specified. Current into a pin is positive and current out of a pin is negative. All voltages are referenced to GND unless otherwise noted. (Note 2)

SYMBOL	PARAMETER	CONDITIONS	MIN	TYP	MAX	UNITS
V_{FLOAT}	Programmable Float Voltage $10\mu\text{A} \leq I_{CC} \leq 25\text{mA}$	$V_{ADJ} = 0\text{V}$, $0^{\circ}\text{C} < \text{Temp} < 125^{\circ}\text{C}$	3.96	4.0	4.04	V
		$V_{ADJ} = 0\text{V}$	● 3.88	4.0	4.04	V
		$V_{ADJ} = \text{Float}$, $0^{\circ}\text{C} < \text{Temp} < 125^{\circ}\text{C}$	4.06	4.1	4.14	V
		$V_{ADJ} = \text{Float}$	● 3.98	4.1	4.14	V
I_{CCMAX}	Maximum Shunt Current	$V_{CC} > V_{FLOAT}$	● 50			mA
		V_{HBO} Low, $ADJ = V_{CC}$	●	550	1200	nA

ELECTRICAL CHARACTERISTICS The ● denotes the specifications which apply over the full operating junction temperature range. Conditions are $V_{NTC} = V_{ADJ} = V_{CC}$, $V_{LBSEL} = GND$, $T_J = 25^\circ C$ unless otherwise specified. Current into a pin is positive and current out of a pin is negative. All voltages are referenced to GND unless otherwise noted. (Note 2)

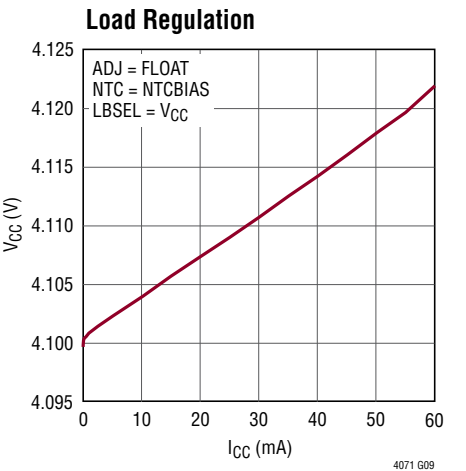
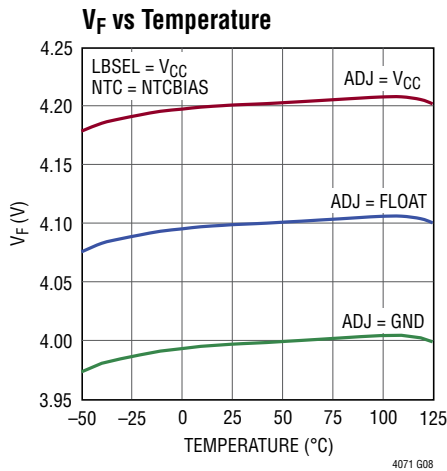
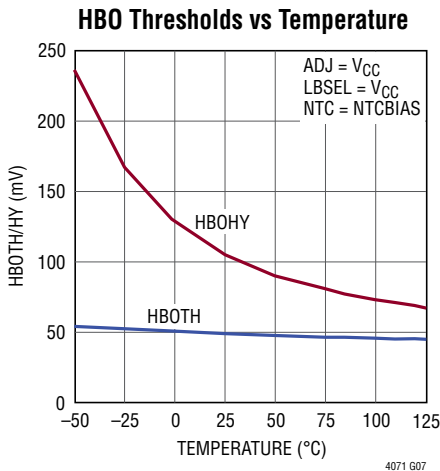
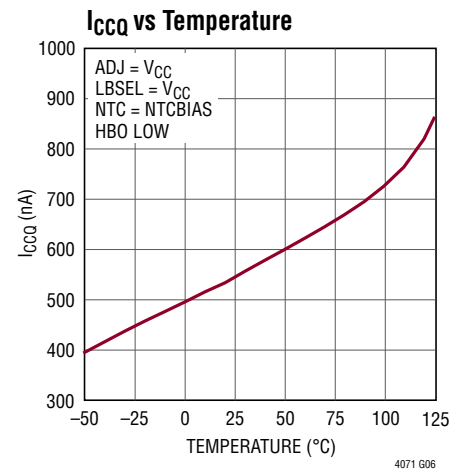
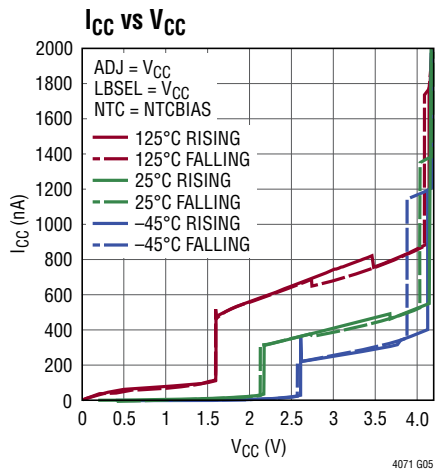
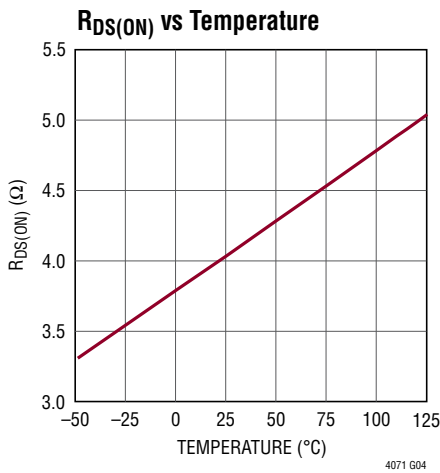
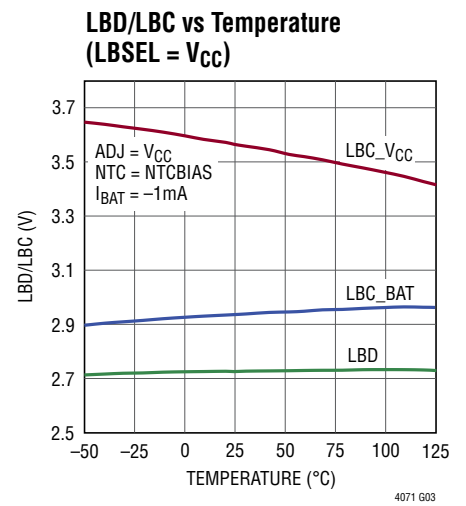
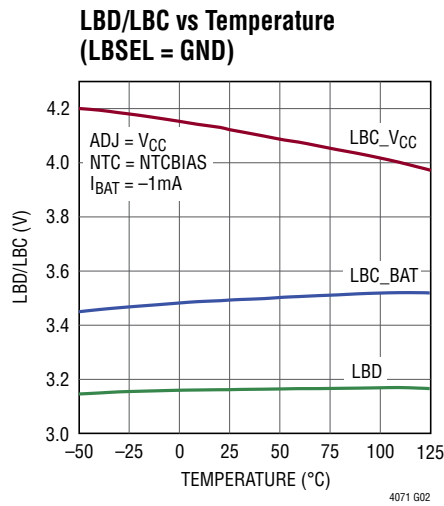
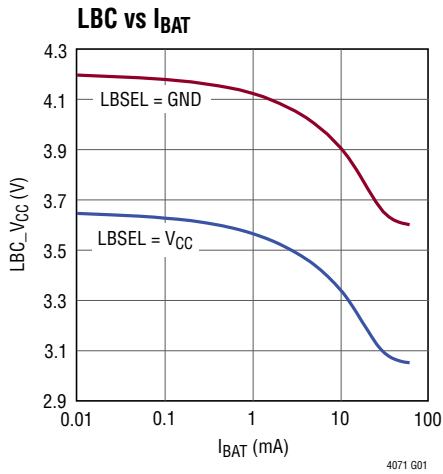
SYMBOL	PARAMETER	CONDITIONS	MIN	TYP	MAX	UNITS	
Low Battery Disconnect							
I_{LEAK}	Battery Disconnect Leakage Current	$V_{CC} < V_{BAT} = 2.65V$	●	0.01 0.01	25	nA nA	
R_{DSON}	Resistance of $V_{CC} - BAT$ Switch	$I_{BAT} = -1mA$, V_{HBO} High		4	6	Ω	
V_{LBD}	Low Battery Disconnect	V_{BAT} Falling, $I_{BAT} = -1mA$, $LBSEL = V_{CC}$, $0^\circ C < Temp < 125^\circ C$		2.60	2.70	2.79	V
		V_{BAT} Falling, $I_{BAT} = -1mA$, $LBSEL = V_{CC}$	●	2.52	2.70	2.79	V
		V_{BAT} Falling, $I_{BAT} = -1mA$, $LBSEL = GND$, $0^\circ C < Temp < 125^\circ C$		3.05	3.20	3.28	V
		V_{BAT} Falling, $I_{BAT} = -1mA$, $LBSEL = GND$	●	2.95	3.20	3.28	V
V_{LBC_BAT}	Low Battery Connect	V_{BAT} Rising, $I_{BAT} = -1mA$, $LBSEL = V_{CC}$		2.97		V	
		V_{BAT} Rising, $I_{BAT} = -1mA$, $LBSEL = GND$		3.53		V	
V_{LBC_VCC}	Low Battery Connect	V_{CC} Rising, $LBSEL = V_{CC}$		3.6		V	
		V_{CC} Rising, $LBSEL = GND$		4.19		V	
High Battery Status							
V_{HBTH}	HBO Threshold ($V_{FLOAT} - V_{CC}$)	V_{CC} Rising	●	15	40	75	mV
V_{HBHY}	Hysteresis			100			mV
Status Output: HBO							
V_{OL}	CMOS Output Low	$I_{SINK} = 1mA$, $V_{CC} = 3.7V$			0.5		V
V_{OH}	CMOS Output High	$I_{SOURCE} = -0.5mA$, $I_{CC} = 1.5mA$		$V_{CC} - 0.6$			V
Selection Inputs: ADJ, LBSEL							
V_{ADJ_IL}	ADJ V_{IL}	Input Logic Low Level	●		0.3		V
V_{ADJ_IH}	ADJ V_{IH}	Input Logic High Level	●	$V_{CC} - 0.3$			V
$I_{ADJ(Z)}$	Allowable ADJ Leakage Current in Floating State		●		± 3		μA
V_{LBSEL_IL}	LBSEL V_{IL}	Input Logic Low Level	●		250		mV
V_{LBSEL_IH}	LBSEL V_{IH}	Input Logic High Level	●	1.4			V
I_{LBSEL}	LBSEL Leakage Current	$0 \leq LBSEL \leq V_{CC}$	●	-5	0	5	nA
NTC							
I_{NTC}	NTC Leakage Current	$0V \leq NTC \leq V_{CC}$	●	-5	0	5	nA
$I_{NTCBIAS}$	Average NTCBIAS Sink Current	Pulsed Duty Cycle $< 0.002\%$		30	50		pA
NTC_{TH1}	NTC Comparator Falling Thresholds	V_{NTC} as Percentage of $V_{NTCBIAS}$ Amplitude		35.5	36.5	38	%
NTC_{TH2}				28.0	29.0	30.5	%
NTC_{TH3}				21.8	22.8	23.8	%
NTC_{TH4}				16.8	17.8	18.8	%
NTC_{HY}	Hysteresis			30			mV
$\Delta V_{FLOAT(NTC)}$	Delta Float Voltage per NTC Comparator Step	NTC Falling Below One of the NTC_{TH} Thresholds ADJ = 0V ADJ = Floating ADJ = V_{CC}		-57 -82 -107	-50 -75 -100	-43 -68 -93	mV mV mV

Note 1: Stresses beyond those listed under Absolute Maximum Ratings may cause permanent damage to the device. Exposure to any Absolute Maximum Rating condition for extended periods may affect device reliability and lifetime.

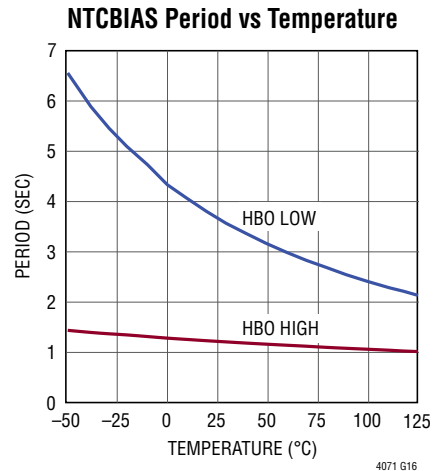
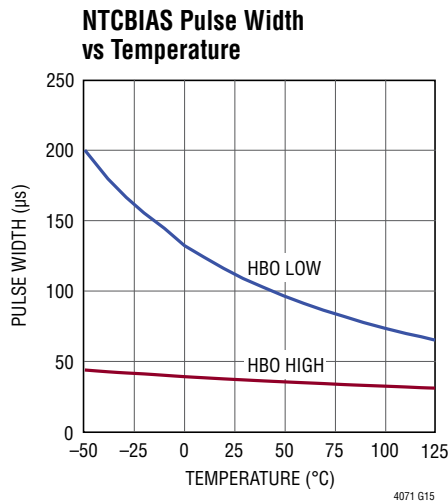
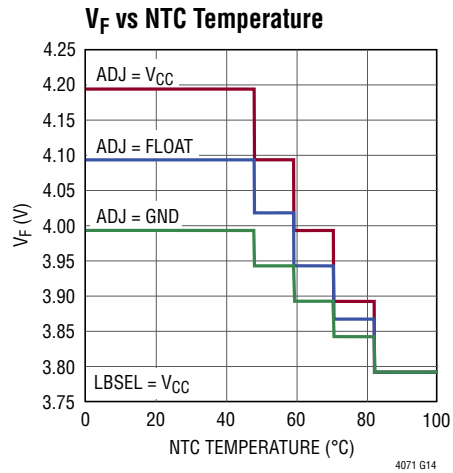
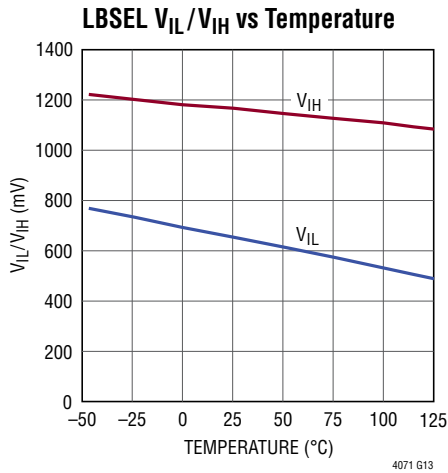
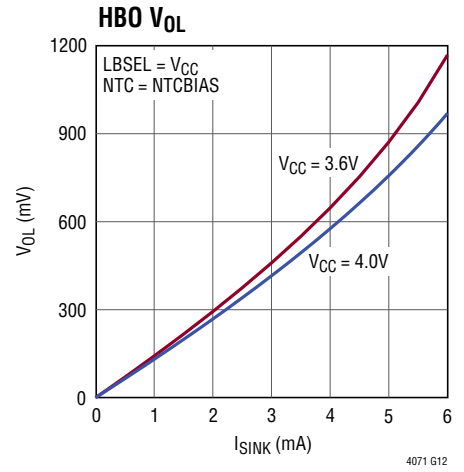
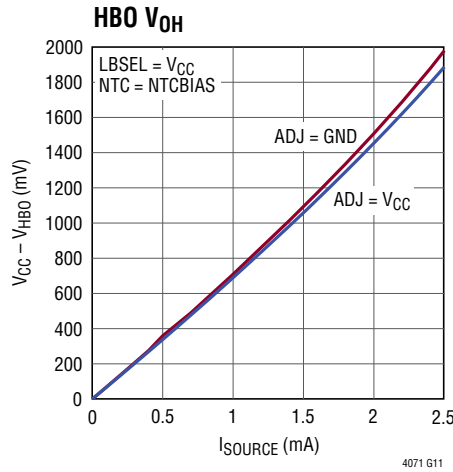
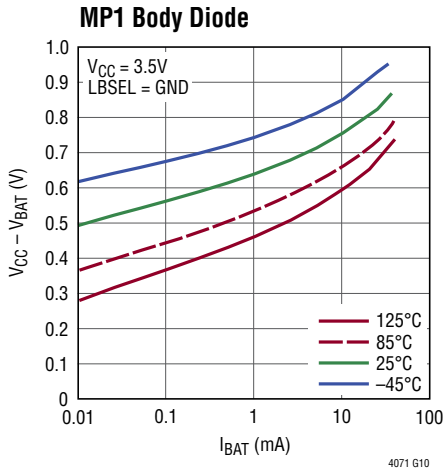
Note 2: The LTC4071 is tested under pulsed load conditions such that $T_J \approx T_A$. The LTC4071E is guaranteed to meet performance specifications for junction temperatures from $0^\circ C$ to $85^\circ C$. Specifications over the

$-40^\circ C$ to $125^\circ C$ operating junction temperature range are assured by design, characterization and correlation with statistical process controls. The LTC4071 is guaranteed over the full $-40^\circ C$ to $125^\circ C$ operating junction temperature range. Note that the maximum ambient temperature consistent with these specifications is determined by specific operation conditions in conjunction with board layout, the rated package thermal impedance and other environmental factors.

TYPICAL PERFORMANCE CHARACTERISTICS $T_A = 25^\circ\text{C}$, unless otherwise noted.



TYPICAL PERFORMANCE CHARACTERISTICS $T_A = 25^\circ\text{C}$, unless otherwise noted.



PIN FUNCTIONS

NTCBIAS (Pin 1): NTC Bias Pin. Connect a resistor from NTCBIAS to NTC, and a thermistor from NTC to GND. Float NTCBIAS when not in use. Minimize parasitic capacitance on this pin.

NTC (Pin 2): Input to the Negative Temperature Coefficient Thermistor Monitoring Circuit. The NTC pin connects to a negative temperature coefficient thermistor which is typically co-packaged with the battery to determine the temperature of the battery. If the battery temperature is too high, the float voltage is reduced. Connect a low drift bias resistor from NTCBIAS to NTC and a thermistor from NTC to GND. When not in use, connect NTC to V_{CC} . Minimize parasitic capacitance on this pin.

ADJ (Pin 3): Float Voltage Adjust Pin. Connect ADJ to GND to program 4.0V float voltage. Disconnect ADJ to program 4.1V float voltage. Connect ADJ to V_{CC} to program 4.2V float voltage. The float voltage is also adjusted by the NTC thermistor.

HBO (Pin 4): High Battery Monitor Output (Active High). HBO is a CMOS output that indicates that the battery is almost fully charged and current is being shunted away from V_{CC} . This pin is driven high when V_{CC} rises to within V_{HBTH} of the effective float voltage, V_{FLOAT_EFF} . The absolute value of this threshold depends on ADJ and NTC both of which affect the float voltage. HBO is driven low when V_{CC} falls by more than $(V_{HBTH} + V_{HBHY})$ below the

effective float voltage. Refer to Table 1 for the effective float voltage.

LBSEL (Pin 5): Low Battery Disconnect Select Pin. Connect LBSEL to GND to select a low battery disconnect level of 3.2V, connect LBSEL to V_{CC} to select a low battery disconnect level of 2.7V. Do not float.

GND (Pin 6, Exposed Pad Pin 9): Ground. The exposed package pad has no internal electrical connection but must be connected to PCB ground for maximum heat transfer.

BAT (Pin 7): Battery Pin. Battery charge current is sourced from V_{CC} through this pin when an external supply is present. BAT supplies current to V_{CC} from this pin when no other source of power is available. If BAT falls below V_{LBD} this pin disconnects the battery from V_{CC} protecting the battery from discharge by the load when no external power supply is present.

V_{CC} (Pin 8): Input Supply Pin. Attach system load to this pin. The input supply voltage is regulated to 4.0V, 4.1V, or 4.2V depending on the ADJ pin state (see the ADJ pin description for more detail). This pin can sink up to 50mA in order to keep the voltage regulation within accuracy limits. Decouple to GND with a capacitor, C_{IN} , of at least 0.1 μ F, use a larger decoupling cap to handle high peak load currents.

BLOCK DIAGRAM

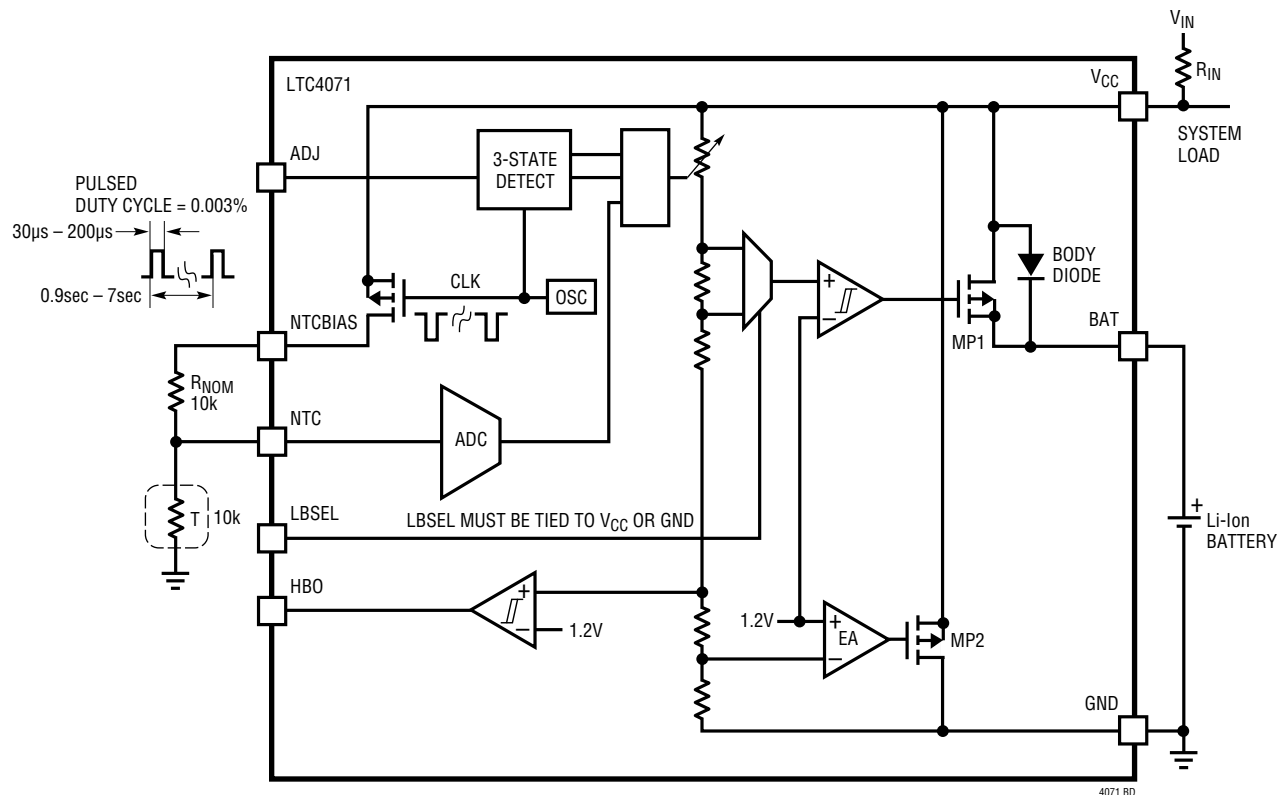


Figure 1. Block Diagram

OPERATION

The LTC4071 provides a simple, reliable, and high performance battery protection and charging solution by preventing the battery voltage from exceeding a programmed level. Its shunt architecture requires just one resistor from the input supply to charge and protect the battery in a wide range of battery applications. When the input supply is removed and the battery voltage is below the high battery output threshold, the LTC4071 consumes just 550nA from the battery. If the battery voltage falls below the programmable low battery disconnect level, the battery disconnects from V_{CC} , protecting the battery from over-discharge either by the load connected to V_{CC} or from the LTC4071 quiescent current.

When an input supply is present the battery charges through the body diode of the internal disconnect PFET, MP1, until the battery voltage rises above the low-battery connect threshold. Select an input voltage large

enough for V_{CC} to reach V_{LBC_VCC} to ensure that MP1 turns on. The user may detect the connected state by observing periodic pulses at the NTCBIAS pin that only occur once V_{CC} has risen above V_{LBC_VCC} , and cease once V_{CC} falls below V_{LBD} . Depending on the capacity of the battery and the input decoupling capacitor, the V_{CC} voltage generally falls to V_{BAT} when MP1 turns on; rather than V_{BAT} rising to V_{CC} . The internal PFET then reconnects the battery to V_{CC} and the charge rate is determined by the input voltage, the battery voltage, and the input resistor:

$$I_{CHG} = \frac{(V_{IN} - V_{BAT})}{R_{IN}}$$

As the battery voltage approaches the float voltage, the LTC4071 shunts current away from the battery thereby reducing the charge current. The LTC4071 can shunt up to 50mA. The shunt current limits the maximum charge current.

OPERATION

In cases where the input supply may be shorted to GND when not supplying power, for example with a solar cell, add a diode in series with R_{IN} to prevent the input from loading the battery. For more information, refer to the photovoltaic charger example in the Applications Information section.

Adjustable Float Voltage, V_{FLOAT}

A built-in 3-state decoder connected to the ADJ pin provides three programmable float voltages: 4.0V, 4.1V, or 4.2V. The float voltage is programmed to 4.0V when ADJ is tied to GND, 4.1V when ADJ is floating (disconnected), and 4.2V when ADJ is tied to V_{CC} . The state of the ADJ pin (and NTC pins) is sampled for about 36 μ s about once every 1.2 seconds when HBO is high, and when HBO is low the sampling rate reduces to about once every 3.6 seconds with the same duty cycle. If V_{CC} falls below V_{LBD} , the sampling stops. When it is being sampled, the LTC4071 applies a relatively low impedance voltage at the ADJ pin. This technique prevents low level board leakage from corrupting the programmed float voltage.

NTC Qualified Float Voltage, $\Delta V_{FLOAT(NTC)}$

The NTC pin voltage is compared against an internal resistor divider tied to the NTCBIAS pin. This divider has tap points that are matched to the NTC thermistor resistance/temperature conversion table for a Vishay curve 2 thermistor at temperatures of 40°C, 50°C, 60°C, and 70°C. The curve 2 thermistor is also designated by a B25/85 value of 3490.

Battery temperature conditioning adjusts the float voltage down to V_{FLOAT_EFF} when the NTC thermistor indicates that the battery temperature is too high. For a 10k curve 2 thermistor and a 10k NTCBIAS resistor, each 10°C increase in temperature above 40°C causes the float voltage to drop by a fixed amount, $\Delta V_{FLOAT(NTC)}$, depending on ADJ. If ADJ is at GND, the float voltage steps down by 50mV for each 10°C temperature increment. If ADJ is floating, the step size is 75mV. And if ADJ is at V_{CC} , the step size is 100mV. Refer to Table 1 for the range of V_{FLOAT_EFF} programming.

Table 1. NTC Qualified Float Voltage

ADJ	$\Delta V_{FLOAT(NTC)}$	TEMPERATURE	V_{NTC} AS % OF NTCBIAS	V_{FLOAT_EFF}
GND	50mV	$T < 40^{\circ}\text{C}$	$V_{NTC} > 36.5$	4.000
		$40^{\circ}\text{C} \leq T < 50^{\circ}\text{C}$	$29.0 < V_{NTC} \leq 36.5$	3.950
		$50^{\circ}\text{C} \leq T < 60^{\circ}\text{C}$	$22.8 < V_{NTC} \leq 29.0$	3.900
		$60^{\circ}\text{C} \leq T < 70^{\circ}\text{C}$	$17.8 < V_{NTC} \leq 22.8$	3.850
		$70^{\circ}\text{C} < T$	$V_{NTC} \leq 17.8$	3.800
Floating	75mV	$T < 40^{\circ}\text{C}$	$V_{NTC} > 36.5$	4.100
		$40^{\circ}\text{C} \leq T < 50^{\circ}\text{C}$	$29.0 < V_{NTC} \leq 36.5$	4.025
		$50^{\circ}\text{C} \leq T < 60^{\circ}\text{C}$	$22.8 < V_{NTC} \leq 29.0$	3.950
		$60^{\circ}\text{C} \leq T < 70^{\circ}\text{C}$	$17.8 < V_{NTC} \leq 22.8$	3.875
		$70^{\circ}\text{C} < T$	$V_{NTC} \leq 17.8$	3.800
V_{CC}	100mV	$T < 40^{\circ}\text{C}$	$V_{NTC} > 36.5$	4.200
		$40^{\circ}\text{C} \leq T < 50^{\circ}\text{C}$	$29.0 < V_{NTC} \leq 36.5$	4.100
		$50^{\circ}\text{C} \leq T < 60^{\circ}\text{C}$	$22.8 < V_{NTC} \leq 29.0$	4.000
		$60^{\circ}\text{C} \leq T < 70^{\circ}\text{C}$	$17.8 < V_{NTC} \leq 22.8$	3.900
		$70^{\circ}\text{C} < T$	$V_{NTC} \leq 17.8$	3.800

For all ADJ pin settings the lowest float voltage setting is:

$$3.8\text{V} = V_{FLOAT_MIN} = V_{FLOAT} - 4 \cdot \Delta V_{FLOAT(NTC)}$$

This occurs at NTC thermistor temperatures above 70°C, or if the NTC pin is grounded.

To conserve power in the NTCBIAS and NTC resistors, the NTCBIAS pin is sampled at a low duty cycle at the same time that the ADJ pin state is sampled.

High Battery Status Output: HBO

The HBO pin pulls high when V_{CC} rises to within V_{HBTH} of the programmed float voltage, V_{FLOAT_EFF} , including NTC qualified float voltage adjustments assuming V_{CC} has risen above V_{LBC_VCC} .

If V_{CC} drops below the float voltage by more than $V_{HBTH} + V_{HBHY}$ the HBO pin pulls low to indicate that the battery is not at full charge. The input supply current to the LTC4071 drops to less than 550nA (typ) as the LTC4071 no longer shunts current to protect the battery. And the NTCBIAS sample clock slows to conserve power.

For example, if the NTC thermistor requires the float voltage to be dropped by 100mV ($\text{ADJ} = V_{CC}$ and $0.29 \cdot V_{NTCBIAS} < V_{NTC} < 0.36 \cdot V_{NTCBIAS}$) then the HBO rising threshold is detected when V_{CC} rises past:

$$\begin{aligned} &V_{FLOAT} - \Delta V_{FLOAT(NTC)} - V_{HBTH} \\ &= 4.2\text{V} - 100\text{mV} - 40\text{mV} = 3.96\text{V}. \end{aligned}$$

OPERATION

Low Battery Disconnect/Connect: LBD/LBC

The low battery disconnect (V_{LBD}) and connect (V_{LBC}) voltage levels are programmed by the LBSEL pin. As shown in the Block Diagram the battery disconnects from V_{CC} by shutting off MP1 when the BAT voltage falls below V_{LBD} . This disconnect function protects Li-Ion batteries from permanent damage due to deep discharge. If the voltage of a Li-Ion cell drops below a certain level, the cell may be permanently damaged. Disconnecting the battery from V_{CC} prevents the load at V_{CC} as well as the LTC4071 quiescent current from further discharging the battery.

Once disconnected the V_{CC} voltage collapses towards ground. When an input supply is reconnected the battery charges through the internal body diode of MP1. The input supply voltage should be larger than V_{LBC_VCC} to ensure that MP1 is turned on. When the V_{CC} voltage reaches V_{LBC_VCC} , MP1 turns on and connects V_{CC} and BAT. While disconnected, the BAT pin voltage is indirectly sensed through MP1's body diode. Therefore V_{LBC} varies with charge current and junction temperature. Please see the Typical Performance Characteristics section for more information.

Low Battery Select: LBSEL

The low battery discharge cutoff voltage level is programmed by the LBSEL pin.

The LBSEL pin allows the user to trade-off battery runtime and maximum shelf life. A lower battery disconnect threshold maximizes run time by allowing the battery to fully discharge before the disconnect event. Conversely, by increasing the low battery disconnect threshold more capacity remains following the disconnect event which extends the shelf life of the battery. For maximum run time, tie LBSEL to V_{CC} so that the battery disconnects at $V_{CC} = 2.7V$. For extended shelf life, tie LBSEL to GND so that the battery disconnects at $V_{CC} = 3.2V$. If a high peak current event is expected, users may temporarily select the lower disconnect threshold. This avoids disconnecting the battery too early when the load works against the battery series resistance and temporarily reduces V_{CC} .

APPLICATIONS INFORMATION

General Charging Considerations

The LTC4071 uses a different charging methodology from previous chargers. Most Li-Ion chargers terminate the charging after a period of time. The LTC4071 does not have a discrete charge termination. Extensive measurements on Li-Ion cells show that the cell charge current drops to very low levels with the shunt charge control circuit effectively terminating the charge. For improved battery lifetime choose 4.0V or 4.1V float voltage.

The battery disconnect function requires some care in selecting the input supply compliance for charging a battery while powering a load at V_{CC} . The internal battery disconnect switch remains off while charging the battery through the body diode of the internal switch until V_{CC} exceeds V_{LBC_VCC} . If the source voltage compliance is not greater than V_{LBC_VCC} , then the battery will never reconnect to V_{CC} and the system load will not be able to run on battery power. Users may detect that the battery is connected by monitoring the NTCBIAS pin as it will periodically pulse high once V_{CC} has risen above V_{LBC_VCC} , and stops pulsing once V_{CC} falls below V_{LBD} .

The simplest application of the LTC4071 is shown in Figure 2. This application requires only an external resistor to program the charge/shunt current. Assume the wall

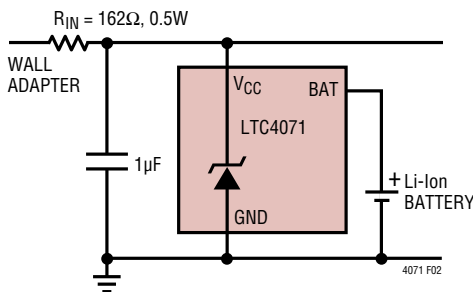


Figure 2. Single-Cell Battery Charger

adapter voltage (V_{WALL}) is 12V and the maximum charge current is calculated as:

$$I_{MAX_CHARGE} = \frac{(V_{WALL} - V_{BAT_MIN})}{R_{IN}}$$

$$= \frac{(12V - 3.2V)}{162\Omega} = 54mA$$

Care must be taken in selecting the input resistor. Power dissipated in R_{IN} under full charge current is given by the following equation:

$$P_{DISS} = \frac{(V_{WALL} - V_{BAT_MIN})^2}{R_{IN}} = \frac{(12V - 3.2V)^2}{162\Omega} = 0.48W$$

The charge current decreases as the battery voltage increases. If the battery voltage is 40mV less than the programmed float voltage the LTC4071 consumes only 550nA of current, and all of the excess input current flows into the battery. As the battery voltage reaches the float voltage, the LTC4071 shunts current from the wall adapter and regulates the battery voltage to $V_{FLOAT} = V_{CC}$. The more shunt current the LTC4071 sinks, the less charge current the battery gets. Eventually, the LTC4071 shunts all the current flowing through R_{IN} ; up to the maximum shunt current. The maximum shunt current in this case, with no NTC adjustment is determined by the input resistor and is calculated as:

$$I_{SHUNT_MAX} = \frac{(V_{WALL} - V_{FLOAT})}{R_{IN}} = \frac{(12V - 4.1V)}{162\Omega} = 49mA$$

At this point the power dissipated in the input resistor is 388mW.

The LTC4071 can also be used to regulate series-connected battery stacks as illustrated in Figure 3. Here two LTC4071 devices are used to charge two batteries in series. A single resistor sets the maximum charge/shunt current.

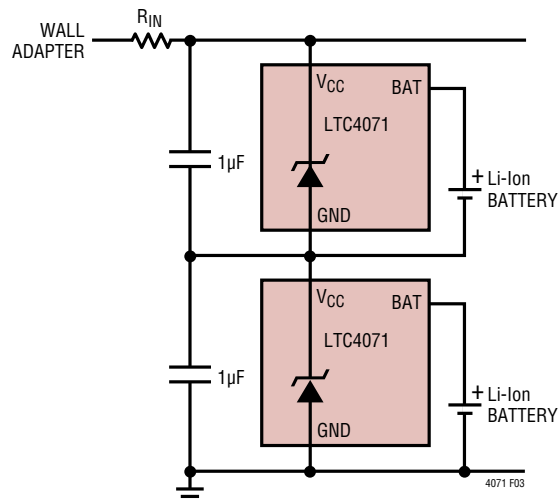


Figure 3. 2-Cell Battery Charger

APPLICATIONS INFORMATION

The GND pin of the top device is simply connected to the V_{CC} pin of the bottom device. Care must be taken in observing the HBO status output pin of the top device as this signal is no longer ground referenced. Likewise for the control inputs of the top device; tie ADJ and LBSEL of the top device to the local GND or V_{CC} pins. Also, the wall adapter must have a high enough voltage rating to charge both cells.

NTC Protection

The LTC4071 measures battery temperature with a negative temperature coefficient thermistor thermally coupled to the battery. NTC thermistors have temperature characteristics which are specified in resistance-temperature conversion tables. Internal NTC circuitry protects the battery from excessive heat by reducing the float voltage for each 10°C rise in temperature above 40°C (assuming a Vishay thermistor with a $B_{25/85}$ value of 3490).

The LTC4071 uses a ratio of resistor values to measure battery temperature. The LTC4071 contains an internal fixed resistor voltage divider from NTCBIAS to GND with four tap points; NTC_{TH1} – NTC_{TH4} . The voltages at these tap points are periodically compared against the voltage at the NTC pin to measure battery temperature. To conserve power, the battery temperature is measured periodically by biasing the NTCBIAS pin to V_{CC} about once every 1.5 seconds.

The voltage at the NTC pin depends on the ratio of NTC thermistor value, R_{NTC} , and a bias resistor, R_{NOM} . Choose R_{NOM} equal to the value of the thermistor at 25°C. R_{NOM} is 10k for a Vishay NTHS0402N02N1002F thermistor with a $B_{25/85}$ value of 3490. R_{NOM} must be connected from NTCBIAS to NTC. The ratio of the NTC pin voltage to the NTCBIAS voltage when it is pulsed to V_{CC} is:

$$\frac{R_{NTC}}{(R_{NTC} + R_{NOM})}$$

When the thermistor temperature rises, the resistance drops; and the resistor divider between R_{NOM} and the thermistor lowers the voltage at the NTC pin.

An NTC thermistor with a different $B_{25/85}$ value may also be used with the LTC4071. However the temperature trip

points are shifted due to the higher negative temperature coefficient of the thermistor. To correct for this difference add a resistor, R_{FIX} , in series with the thermistor to shift the ratio:

$$\frac{R_{FIX} + R_{NTC}}{(R_{FIX} + R_{NTC} + R_{NOM})}$$

Up to the internal resistive divider tap points: NTC_{TH1} through NTC_{TH4} . For a 100k thermistor with a $B_{25/85}$ value of 3950, e.g. NTHS0402N01N1003F, at 70°C (with $R_{NOM} = 100k$) choose $R_{FIX} = 3.92k$. The temperature trip points are found by looking up the curve 1 thermistor R/T values plus R_{FIX} that correspond to the ratios for $NTC_{TH1} = 36.5\%$, $NTC_{TH2} = 29\%$, $NTC_{TH3} = 22.8\%$, and $NTC_{TH4} = 17.8\%$. Selecting $R_{FIX} = 3.92k$ results in trip points of 39.9°C, 49.4°C, 59.2°C and 69.6°C.

Another technique may be used without adding an additional component. Instead decrease R_{NOM} to adjust the NTC_{TH} thresholds for a given R/T thermistor profile. For example, if $R_{NOM} = 88.7k$ (with the same 100k thermistor) then the temperature trip points are 41.0°C, 49.8°C, 58.5°C and 67.3°C.

When using the NTC features of the LTC4071 it is important to keep in mind that the maximum shunt current increases as the float voltage, V_{FLOAT_EFF} drops with NTC conditioning. Reviewing the single-cell battery charger application with a 12V wall adapter in Figure 2; the input resistor should be increased to 165Ω such that the maximum shunt current does not exceed 50mA at the lowest possible float voltage due to NTC conditioning, $V_{FLOAT_MIN} = 3.8V$.

Thermal Considerations

At maximum shunt current, the LTC4071 may dissipate up to 205mW. The thermal dissipation of the package should be taken into account when operating at maximum shunt current so as not to exceed the absolute maximum junction temperature of the device. With θ_{JA} of 40°C/W, in the MSOP package, at maximum shunt current of 50mA the junction temperature rise is about 8°C above ambient. With θ_{JA} of 76°C/W in the DFN package, at maximum shunt current of 50mA the junction temperature rise is about 16°C above ambient. The junction temperature, T_J , is calculated depending on ambient temperature,

APPLICATIONS INFORMATION

T_A , power dissipation, PD (in W), and θ_{JA} is the thermal impedance of the package (in $^{\circ}\text{C}/\text{W}$):

$$T_J = T_A + (PD \times \theta_{JA}).$$

The application shown in Figure 4 illustrates how to prevent triggering the low-battery disconnect function under large pulsed loads due to the high ESR of thin-film batteries.

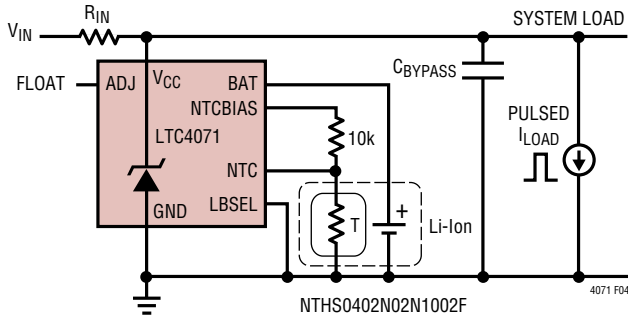


Figure 4. Adding a Decoupling Capacitor for Large Load Transients

Table 2 lists some thin-film batteries, their capacities and their equivalent series resistance. The ESR causes V_{BAT} and V_{CC} to droop as a product of the load current amplitude multiplied by the ESR. This droop may trigger the low-battery disconnect while the battery itself may still have ample capacity. Adding a bypass capacitor to V_{CC} prevents large low duty cycle load transients from pulling down on V_{CC} .

Table 2. Low Capacity Li-Ion and Thin-Film Batteries

VENDOR	P/N	CAPACITY	RESISTANCE	V_{MIN}
CYMBET	CBC012	12 μAh	5k to 10k	3.0V
CYMBET	CBC050	50 μAh	1500 Ω to 3k	3.0V
GS NanoTech	N/A	500 μAh	40 Ω	3.0V
APS-Autec	LIR2025	20mAh	0.75 Ω	3.0V
APS-Autec	LIR1025	6mAh	30 Ω	2.75V
IPS	MEC225-1P	0.13mAh	210 Ω to 260 Ω	2.1V
IPS	MEC220-4P	0.4mAh	100 Ω to 120 Ω	2.1V
IPS	MEC201-10P	1.0mAh	34 Ω to 45 Ω	2.1V
IPS	MEC202-25P	2.5mAh	15 Ω to 20 Ω	2.1V
GM Battery	GMB031009	8mAh	10 Ω to 20 Ω	2.75V

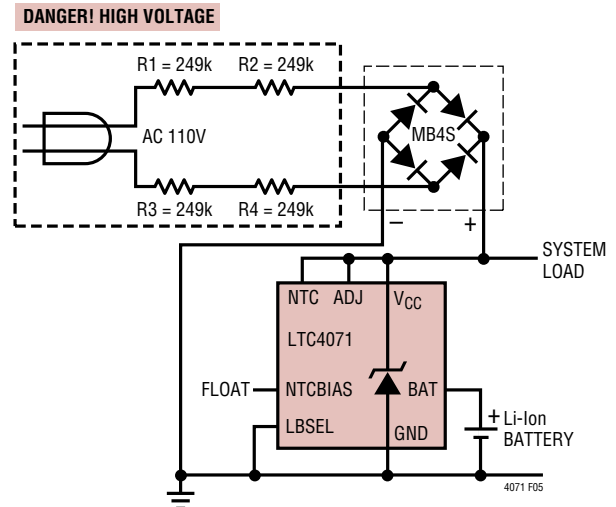
For example, given a 0.1% duty cycle 5ms load pulse of 20mA and a 1.0mAh IPS MEC201-10P solid-state thin-film battery with an equivalent series resistance of 35 Ω , the voltage drop at V_{CC} can be as high as 0.7V while the load is on. However once the load pulse ends, the

battery voltage recovers, as the capacity of the battery should provide roughly 50 hours of use for an equivalent 0.1%•20mA = 20 μA load. To prevent load pulses from tripping the low battery disconnect, add a decoupling capacitor from V_{CC} to GND. The size of this capacitor can be calculated based on how much margin is required from the LBD threshold as well as the amplitude and pulse width of the load transient. For a 1.0mAh battery with a state-of-charge of 3.8V, the margin from LBD is 600mV with LBSSEL tied to GND. For a square-wave load pulse of 20mA with a pulse width of 5ms, the minimum size of the decoupling cap required to hold V_{CC} above LBD is calculated as follows:

$$C_{BYPASS} = \frac{20\text{mA} \cdot 5\text{ms}}{600\text{mV}} = 166.6\mu\text{F}$$

Take care to select a bypass capacitor with low leakage.

The LTC4071 can be used to charge a battery to a 4.2V float voltage from an AC line with a bridge rectifier as shown in the simple schematic in Figure 5. In this example,



DANGEROUS AND LETHAL POTENTIALS ARE PRESENT IN AC LINE-CONNECTED CIRCUITS! BEFORE PROCEEDING ANY FURTHER, THE READER IS WARNED THAT CAUTION MUST BE USED IN THE CONSTRUCTION, TESTING AND USE OF AC LINE-CONNECTED CIRCUITS. EXTREME CAUTION MUST BE USED IN WORKING WITH AND MAKING CONNECTIONS TO THESE CIRCUITS. ALL TESTING PERFORMED ON AC LINE-CONNECTED CIRCUITS MUST BE DONE WITH AN ISOLATION TRANSFORMER CONNECTED BETWEEN THE AC LINE AND THE CIRCUIT. USERS AND CONSTRUCTORS OF AC LINE-CONNECTED CIRCUITS MUST OBSERVE THIS PRECAUTION WHEN CONNECTING TEST EQUIPMENT TO THE CIRCUIT TO AVOID ELECTRIC SHOCK.

Figure 5. 4.2V AC Line Charging, UL Leakage Okay

APPLICATIONS INFORMATION

the four input 249k resistors are sized for acceptable UL leakage in the event that one of the resistors short. Here, the LTC4071 will fully charge the battery from the AC line while meeting the UL specification with 104 μ A of available charge current.

A simple photovoltaic (PV) application for the LTC4071 is illustrated in Figure 6. At low V_{CC} voltage, PV current flows to both the system at V_{CC} as well as the battery.

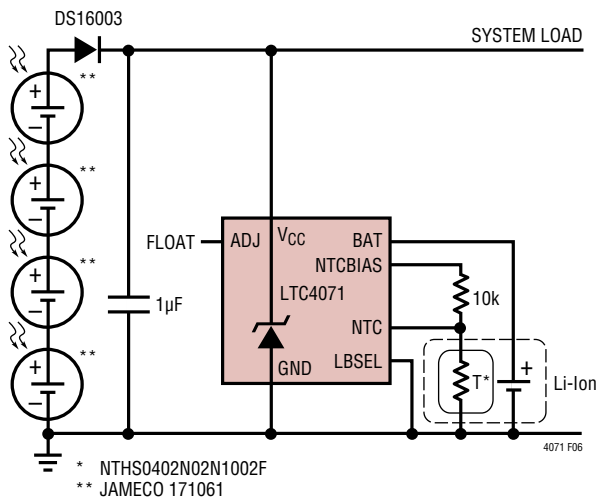


Figure 6. Simple Photovoltaic Charger

When V_{CC} reaches the programmed float voltage (4.1V with ADJ floating) then the LTC4071 shunts excess current not used by the load, limiting V_{CC} to 4.1V and effectively reducing the battery charge current to zero. If the PV cells stop supplying current, the battery supports the load at V_{CC} through the LTC4071. Add a diode in series with the PV cells to prevent reverse leakage of the PV cells from draining the battery. If the battery discharges to the point where V_{CC} falls below V_{LBD} (3.2V with LBSEL tied to GND) the LTC4071 disconnects the load from the battery to protect the battery from over discharge.

Typically, solar cells are inherently limited in current, but this circuit may require a resistor, R_{IN} , in series with the LTC4071 for high current solar cells. Select R_{IN} such that the LTC4071 never needs to shunt more than 50mA.

The simple schematic in Figure 7 illustrates a complete piezoelectric energy harvesting application using the LTC4071 to charge and protect Li-Ion cells along with the LTC3588-1 to rectify and regulate energy generated from a piezoelectric generator to a fixed 3.3V load.

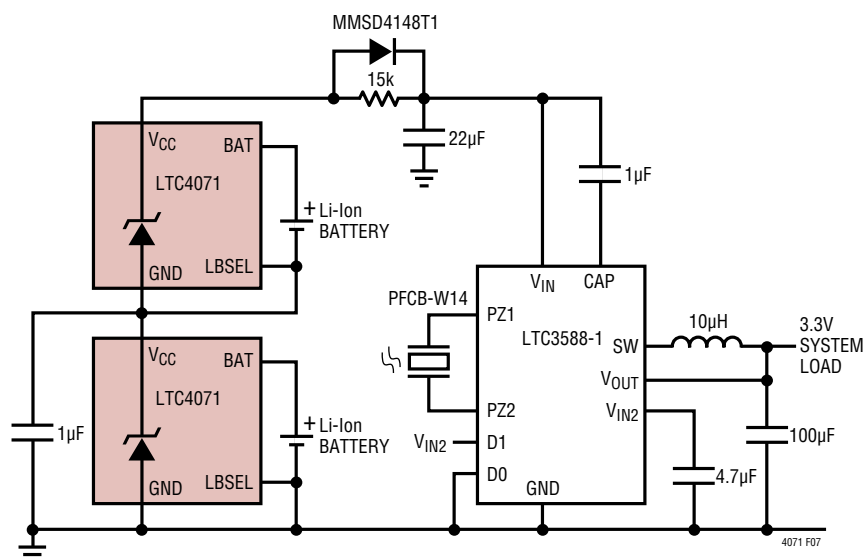


Figure 7. Piezoelectric Energy Harvester with Battery Backup

APPLICATIONS INFORMATION

This system has two modes of operation, charging where the batteries are being charged from energy harvested from the piezoelectric generator while the load is negligible. And discharging, where the load is pulling current from the batteries, but insufficient energy is being harvested to power the load.

This application allows the load to periodically draw more current than would otherwise be available from the piezoelectric generator by storing excess charge in a stack of two Li-Ion cells. Each Li-Ion cell is protected from over-charge and over discharge by a LTC4071 shunt regulator. The two LTC4071s regulate V_{IN} of the LTC3588-1 to 8.2V (with both ADJ pins floating) shunting any excess current that is not used by the load once the batteries achieve their float voltages. When the load requires more current than is available from the piezoelectric generator, the voltage at V_{IN} droops and current is supplied from the two Li-Ion cells to power the step-down switching regulator. If the load pulls enough current to discharge the batteries below V_{LBD} , the LTC4071s disconnect the batteries, and V_{IN} collapses until the piezoelectric generator resumes supplying current.

The application in Figure 8 illustrates how to implement “ship-mode,” where a battery is co-packaged with the LTC4071 and then the entire device is latched-off, leaving the battery fully charged but with the LTC4071 switched off. The co-packaged battery and LTC4071 can then be stored with a long shelf-life before being activated for normal use.

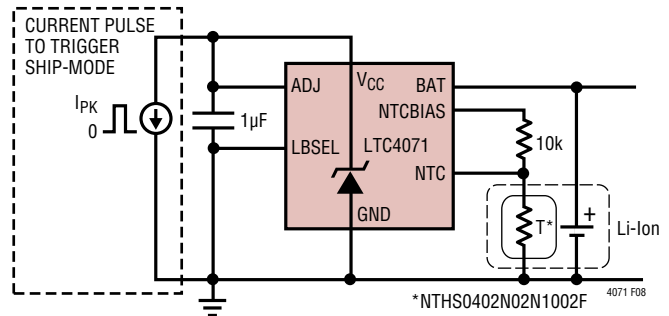


Figure 8. LTC4071 Ship-Mode Application for Extended Shelf Life

Ship-mode is triggered by pulling enough current through the LTC4071 so as to drop V_{CC} below the LBD threshold. The current pulse amplitude should be less than 400mA with a duration of less than 10ms. The peak current necessary, I_{PK} , depends on the equivalent series resistance of the battery, B_{ESR} , summed with the $R_{DS(ON)}$ of the BAT- V_{CC} FET, the battery voltage, V_{BAT} and the selected disconnect voltage, V_{LBD} :

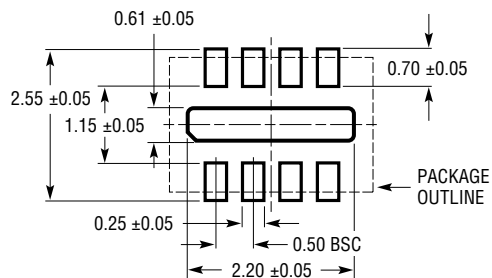
$$I_{PK} = \frac{V_{BAT} - V_{LBD}}{R_{DS(ON)} + B_{ESR}}$$

Users may test that ship mode has been triggered by simply checking if V_{CC} is at GND and that there are no longer any NTCBIAS pulses.

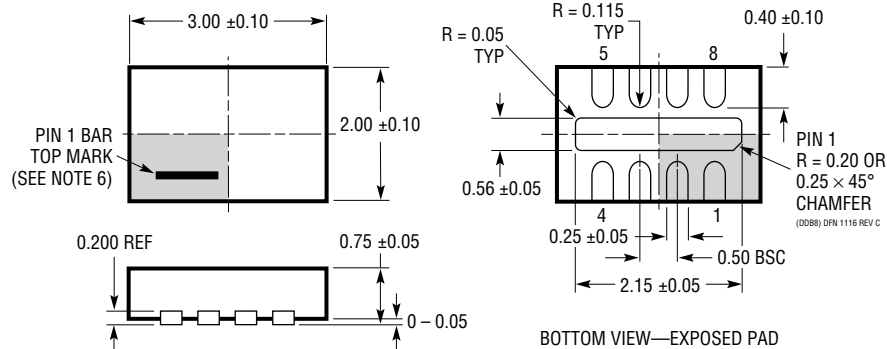
Re-activation of the LTC4071 and the battery requires either applying power normally, or briefly shorting V_{CC} to BAT to turn it on.

PACKAGE DESCRIPTION

DDB Package
8-Lead Plastic DFN (3mm × 2mm)
 (Reference LTC DWG # 05-08-1702 Rev C)



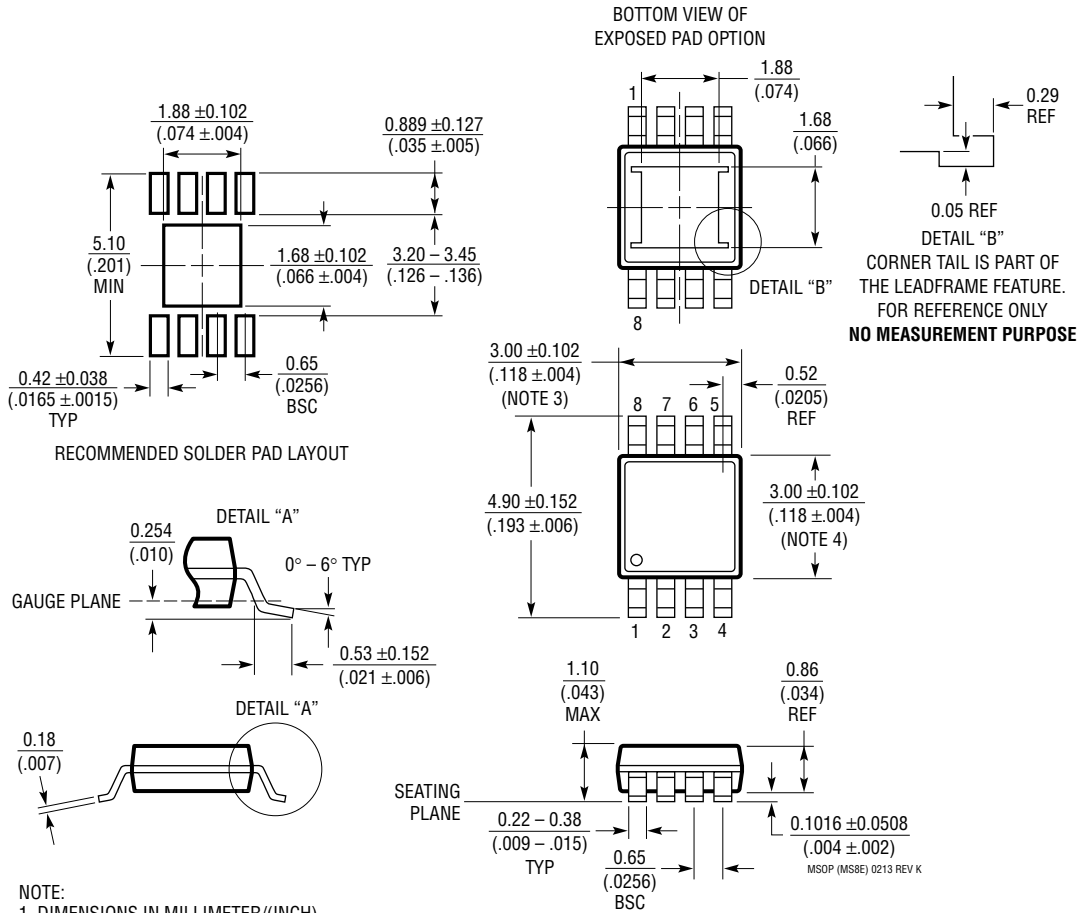
RECOMMENDED SOLDER PAD PITCH AND DIMENSIONS



- NOTE:
1. DRAWING CONFORMS TO VERSION (WECD-1) IN JEDEC PACKAGE OUTLINE M0-229
 2. DRAWING NOT TO SCALE
 3. ALL DIMENSIONS ARE IN MILLIMETERS
 4. DIMENSIONS OF EXPOSED PAD ON BOTTOM OF PACKAGE DO NOT INCLUDE MOLD FLASH. MOLD FLASH, IF PRESENT, SHALL NOT EXCEED 0.15mm ON ANY SIDE
 5. EXPOSED PAD SHALL BE SOLDER PLATED
 6. SHADED AREA IS ONLY A REFERENCE FOR PIN 1 LOCATION ON THE TOP AND BOTTOM OF PACKAGE

PACKAGE DESCRIPTION

MS8E Package
8-Lead Plastic MSOP, Exposed Die Pad
 (Reference LTC DWG # 05-08-1662 Rev K)



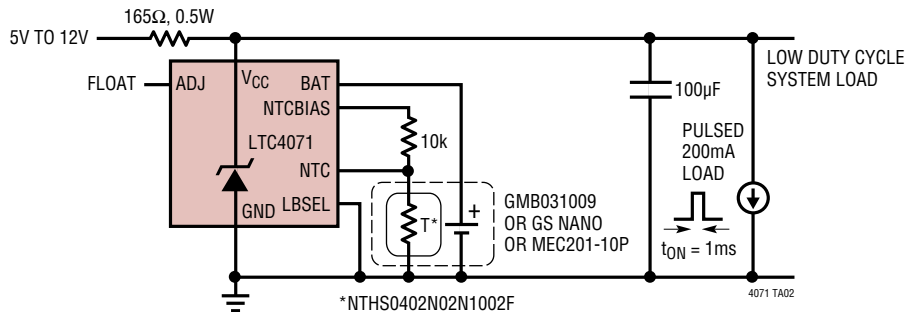
- NOTE:
 1. DIMENSIONS IN MILLIMETER/(INCH)
 2. DRAWING NOT TO SCALE
 3. DIMENSION DOES NOT INCLUDE MOLD FLASH, PROTRUSIONS OR GATE BURRS. MOLD FLASH, PROTRUSIONS OR GATE BURRS SHALL NOT EXCEED 0.152mm (.006") PER SIDE
 4. DIMENSION DOES NOT INCLUDE INTERLEAD FLASH OR PROTRUSIONS. INTERLEAD FLASH OR PROTRUSIONS SHALL NOT EXCEED 0.152mm (.006") PER SIDE
 5. LEAD COPLANARITY (BOTTOM OF LEADS AFTER FORMING) SHALL BE 0.102mm (.004") MAX
 6. EXPOSED PAD DIMENSION DOES INCLUDE MOLD FLASH. MOLD FLASH ON E-PAD SHALL NOT EXCEED 0.254mm (.010") PER SIDE.

REVISION HISTORY

REV	DATE	DESCRIPTION	PAGE NUMBER
A	10/10	V _{LBD} specification replaced in Electrical Characteristics section.	3
B	4/11	Updated Vishay thermistor part number.	11, 12, 13, 14, 18
C	10/11	Under Note 2, replaced “=” with “≈”. Updated IPS MFR’s part numbers. Updated the application example. Updated MFR part number on the Typical Application circuit MEC201-10P.	3 12 12 18
D	2/20	Revised Order Information table	2

TYPICAL APPLICATION

Typical Application with 100µF Bypass Capacitor to Support Large Load Pulse



RELATED PARTS

PART NUMBER	DESCRIPTION	COMMENTS
LTC3105	400mA Step-Up Converter with 250mV Start-Up and Maximum Power Point Control	A High Efficiency Step-Up DC/DC Converter That Can Operate from Input Voltage As Low As 200mV. A 250mV Start-Up Capability and Integrated Maximum Power Point Controller (MPPT) Enables Operation Directly from Low Voltage, High Impedance Alternative Power Sources Such As Photovoltaic Cells, Thermoelectric Generators (TEGs) and Fuel Cells. A User Programmable MPPC Set Point Maximizes the Energy That Can Be Extracted from Any Power Source. Burst Mode® Operation, with a Proprietary Self Adjusting Peak Current, Optimizes Converter Efficiency and Output Voltage Ripple Over All Operating Conditions.
LTC3108/ LTC3108-1	Ultralow Power Step-Up Converter and Power Manager	A Highly Integrated DC/DC Converter Ideal for Harvesting and Managing Surplus Energy from Extremely Low Input Voltage Sources Such As TEGs (Thermoelectric Generators), Thermopiles and Small Solar Cells. The Step-Up Topology Operates from Input Sources As Low As 20mV. The LTC3108 is Functionally Equivalent to the LTC3108-1 Except for its Unique Fixed V _{OUT} Options.
LTC3388	20V High Efficiency Nanopower Step-Down Regulator	High Efficiency Step-Down DC/DC Converter with Internal High Side and Synchronous Power Switches, Draws Only 720nA Typical DC Supply Current at No Load. 50mA of Load Current, Accurate UVLO Disables Converter and Maintains Low Quiescent Current State When the Input Voltage Falls Below 2.3V. 10-Lead MSE and 3mm × 3mm DFN Packages.
LTC3588-1	Piezoelectric Energy Harvesting Power Supply in 3mm × 3mm DFN and MSOP Packages	High Efficiency Hysteretic Integrated Buck DC/DC; 950nA Input Quiescent Current (Output in Regulation – No Load), 520nA Input Quiescent Current in UVLO, 2.6V to 19.2V Input Operating Range; Integrated Low-Loss Full-Wave Bridge Rectifier, Up to 100mA of Output Current, Selectable Output Voltages of 1.8V, 2.5V, 3.3V or 3.6V.
LTC4054L	Standalone Linear Li-Ion Battery Charger in ThinSOT™	Low Current Version of LTC4054, 10mA ≤ I _{CHG} ≤ 150mA, Thermal Regulation Prevents Overheating, C/10 Termination, with Integrated Pass Transistor.
LTC4065L	Standalone 250mA Li-Ion Battery Charger in 2mm × 2mm DFN	Low Current Version of LTC4065, 15mA ≤ I _{CHG} ≤ 250mA, 4.2V, ±0.6% Float Voltage, High Charge Current Accuracy: 5%.
LTC4070	Li-Ion/Polymer Shunt Battery Charger System	Low 450nA Operating Current, 50mA Maximum Internal Shunt Current, Boostable to 500mA with External PFET