

## Lithium Ion Fast-Charge IC

### Features

- ▶ Safe charge of Lithium Ion battery packs
- ▶ Voltage-regulated current-limited charging
- ▶ Fast charge terminated by selectable minimum current; safety backup termination on maximum time
- ▶ Charging continuously qualified by temperature and voltage limits
- ▶ Pulse-width modulation control ideal for high-efficiency switch-mode power conversion
- ▶ Direct LED control outputs display charge status and fault conditions

### General Description

The bq2054 Lithium Ion Fast-Charge IC is designed to optimize charging of lithium ion (Li-Ion) chemistry batteries. A flexible pulse-width modulation regulator allows the bq2054 to control voltage and current during charging. The regulator frequency is set by an external capacitor for design flexibility. The switch-mode design keeps power dissipation to a minimum.

The bq2054 measures battery temperature using an external thermistor for charge qualification. Charging begins when power is applied or on battery insertion.

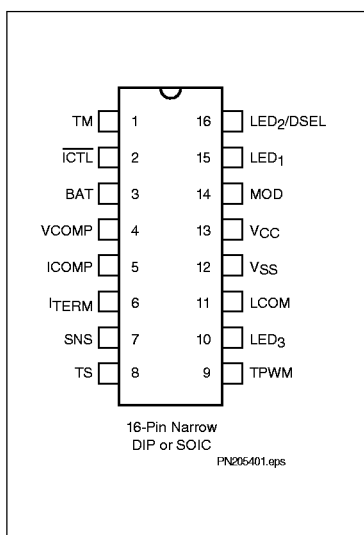
For safety, the bq2054 inhibits charging until the battery voltage and temperature are within con-

figured limits. If the battery voltage is less than the low-voltage threshold, the bq2054 provides low-current conditioning of the battery.

A constant current-charging phase replenishes up to 70% of the charge capacity, and a voltage-regulated phase returns the battery to full. The charge cycle terminates when the charging current falls below a user-selectable current limit. For safety, charging terminates after maximum time and is suspended if the temperature is outside the preconfigured limits.

The bq2054 provides status indications of all charger states and faults for accurate determination of the battery and charge system conditions.

### Pin Connections



### Pin Names

|       |  |                        |  |
|-------|--|------------------------|--|
| TM    | Time-out programming input               | TPWM                   | Regulator timebase input                     |
| ICTL  | Inrush current control output            | LED <sub>3</sub>       | Charge status output 3                       |
| BAT   | Battery voltage input                    | LCOM                   | Common LED output                            |
| VCOMP | Voltage loop comp input                  | V <sub>SS</sub>        | System ground                                |
| ICOMP | Current loop comp input                  | V <sub>CC</sub>        | 5.0V±10% power                               |
| ITERM | Minimum current termination select input | MOD                    | Modulation control output                    |
| SNS   | Sense resistor input                     | LED <sub>1</sub>       | Charge status output 1                       |
| TS    | Temperature sense input                  | LED <sub>2</sub> /DSEL | Charge status output 2/ Display select input |

## Pin Descriptions

### TM Time-out programming input

This input sets the maximum charge time. The resistor and capacitor values are determined using Equation 5. Figure 7 shows the resistor/capacitor connection.

### ICTL Inrush current control output

ICTL is driven low during the fault or charge-complete states of the chip. It is used to disconnect the capacitor across the battery pack terminals, preventing inrush currents from tripping overcurrent protection features in the pack when a new battery is inserted.

### BAT Battery voltage input

BAT is the battery voltage sense input. This potential is generally developed using a high-impedance resistor divider network connected between the positive and the negative terminals of the battery. See Figure 4 and Equation 1.

### VCOMP Voltage loop compensation input

This input uses an external R-C network for voltage loop stability.

### ITERM Minimum current termination select

This three-state input is used to set  $I_{MIN}$  for fast charge termination. See Table 2.

### ICOMP Current loop compensation input

This input uses an external R-C network for current loop stability.

### SNS Charging current sense input

Battery current is sensed via the voltage developed on this pin by an external sense resistor,  $R_{SNS}$ , connected in series with the negative terminal of the battery pack. See Equation 6.

### TS Temperature sense input

This input is used to monitor battery temperature. An external resistor divider network sets the lower and upper temperature thresholds. See Figure 6 and Equations 3 and 4.

### TPWM Regulation timebase input

This input uses an external timing capacitor to ground to set the pulse-width modulation (PWM) frequency. See Equation 7.

### LCOM Common LED output

Common output for LED<sub>1-3</sub>. This output is in a high-impedance state during initialization to read programming input on DSEL.

### MOD Current-switching control output

MOD is a pulse-width modulated push/pull output that is used to control the charging current to the battery. MOD switches high to enable current flow and low to inhibit current flow.

### LED<sub>1-3</sub> LED<sub>3</sub> Charger display status 1-3 outputs

These charger status output drivers are for the direct drive of the LED display. Display modes are shown in Table 1. These outputs are tri-stated during initialization so that DSEL can be read.

### DSEL Display select input

This three-level input controls the LED<sub>1-3</sub> charge display modes. See Table 1.

### VCC VCC supply

5.0V,  $\pm 10\%$  power

### VSS Ground

# bq2054

## Charge Algorithm

The bq2054 uses a two-phase fast charge algorithm. In phase 1, the bq2054 regulates constant current ( $I_{SNS} = I_{MAX}$ ) until  $V_{CELL} (= V_{BAT} - V_{SNS})$  rises to  $V_{REG}$ . The bq2054 then transitions to phase 2 and regulates constant voltage ( $V_{CELL} = V_{REG}$ ) until the charging current falls below the programmed  $I_{MIN}$  threshold. The charging current must remain below  $I_{MIN}$  for  $120 \pm 40ms$  before a valid fast charge termination is detected. Fast charge then terminates, and the bq2054 enters the Charge Complete state. See Figures 1 and 2.

## Charge Qualification

The bq2054 starts a charge cycle when power is applied while a battery is present or when a battery is inserted. Figure 2 shows the state diagram for pre-charge qualification and temperature monitoring. The bq2054 first checks that the battery temperature is within the allowed, user-configurable range. If the temperature is out of range, the bq2054 enters the Charge Pending state and waits until the battery temperature is within the allowed range. Charge Pending is enunciated by LED<sub>3</sub> flashing.

Thermal monitoring continues throughout the charge cycle, and the bq2054 enters the Charge Pending state when the temperature out of range. (There is one exception; if the bq2054 is in the Fault state—see below—the out-of-range temperature is not recognized until the bq2054 leaves the Fault state.) All timers are suspended (but not reset) while the bq2054 is in Charge Pending. When the temperature comes back into range, the bq2054 returns to the point in the charge cycle where the out-of-range temperature was detected.

When the temperature is valid, the bq2054 then regulates current to  $I_{COND} (= I_{MAX}/5)$ . After an initial holdoff period  $t_{HO}$  (which prevents the chip from reacting to transient voltage spikes that may occur when charge current is first applied), the chip begins monitoring  $V_{CELL}$ . If  $V_{CELL}$  does not rise to at least  $V_{MIN}$  before the expiration of time-out limit  $t_{MTO}$  (e.g. the cell has failed short), the bq2054 enters the Fault state. If  $V_{MIN}$  is achieved before expiration of the time limit, the chip begins fast charging.

Once in the Fault state, the bq2054 waits until  $V_{CC}$  is cycled or a new battery insertion is detected. It then starts a new charge cycle and begins the qualification process again.

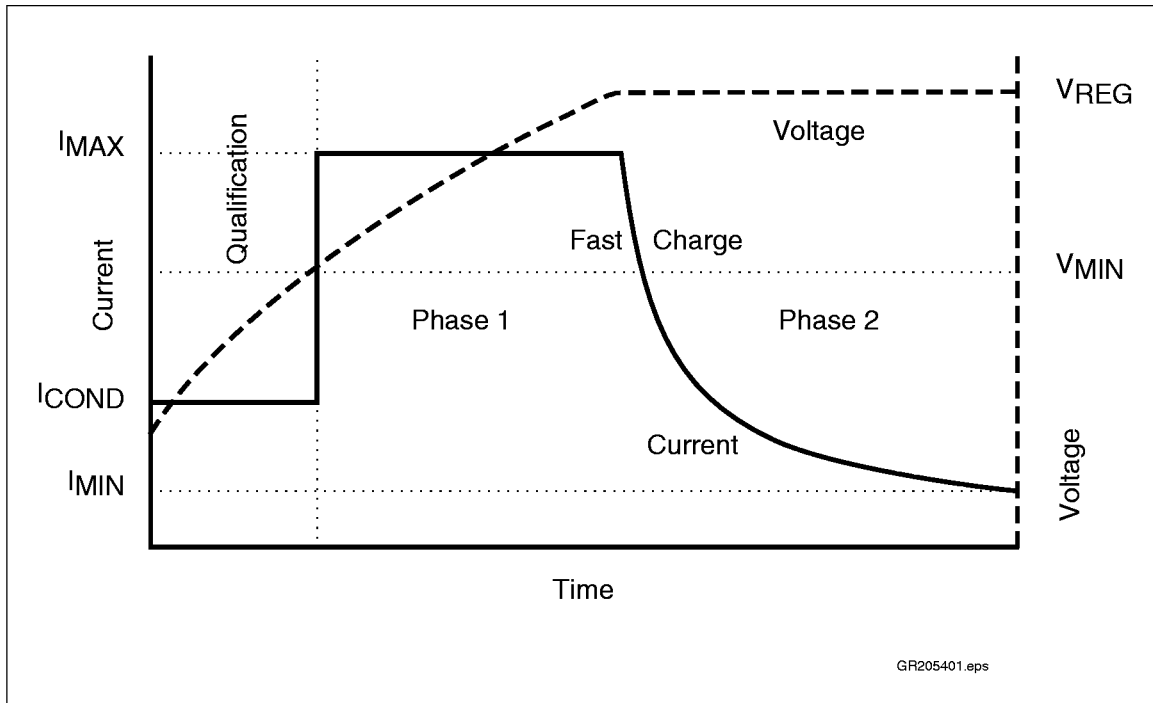


Figure 1. bq2054 Charge Algorithm

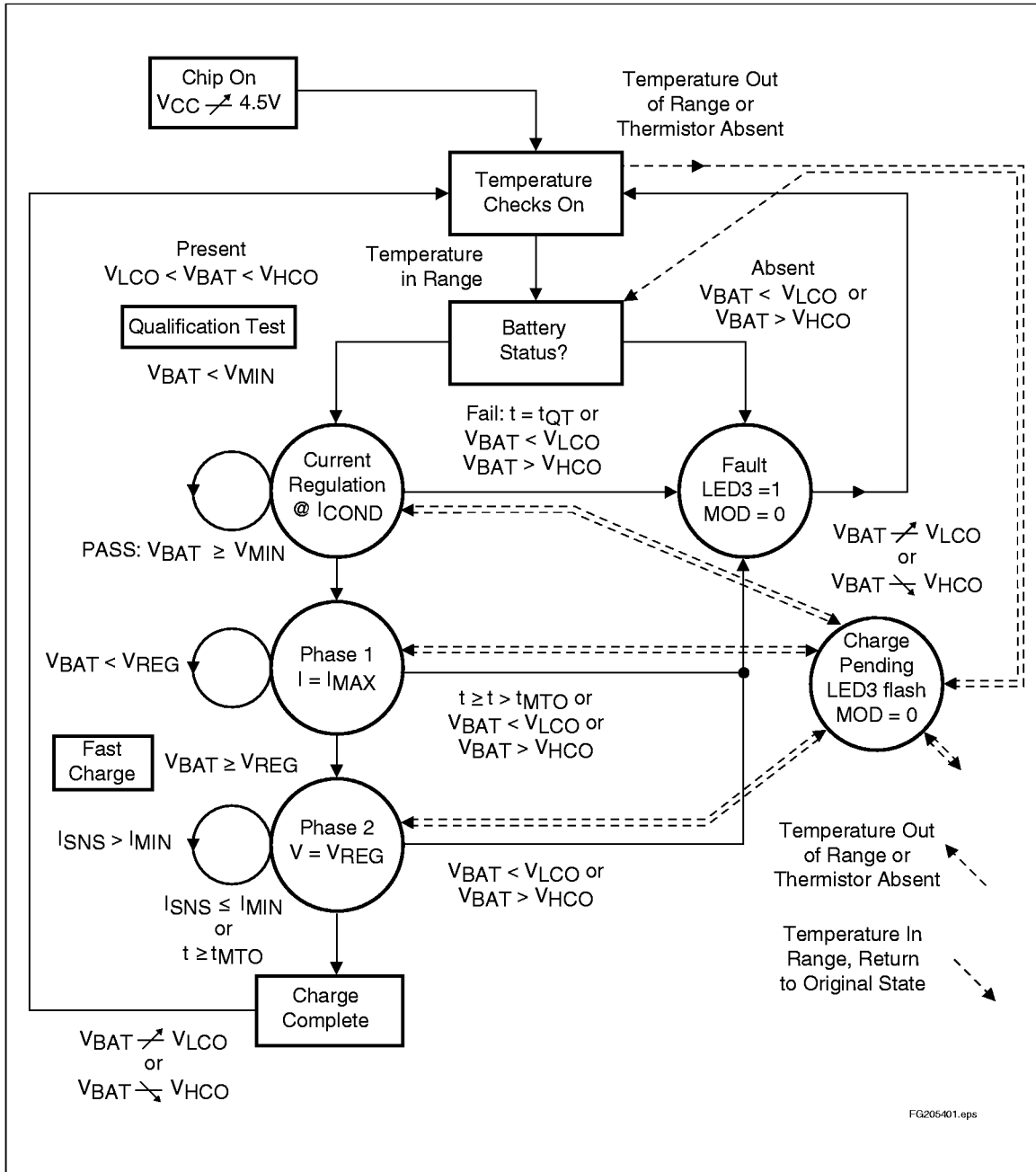


Figure 2. bq2054 State Diagram

# bq2054

## Charge Status Display

Charge status is enunciated by the LED driver outputs LED<sub>1</sub>–LED<sub>3</sub>. Three display modes are available in the bq2054; the user selects a display mode by configuring pin DSEL. Table 1 shows the three display modes.

The bq2054 does not distinguish between an over-voltage fault and a “battery absent” condition. The bq2054 enters the Fault state, enunciated by turning on LED<sub>3</sub>, whenever the battery is absent. The bq2054, therefore, gives an indication that the charger is on even when no battery is in place to be charged.

## Configuring the Display Mode and I<sub>MIN</sub>

DSEL/LED<sub>2</sub> is a bi-directional pin with two functions; it is an LED driver pin as an output and a programming pin as an input. The selection of pull-up, pull-down, or no pull resistor programs the display mode on DSEL per Table 1. The bq2054 latches the programming data sensed on the DSEL input when any one of the following three events occurs:

1. V<sub>CC</sub> rises to a valid level.
2. The bq2054 leaves the Fault state.
3. The bq2054 detects battery insertion.

The LEDs go blank for approximately 750ms (typical) while new programming data is latched.

**Table 1. bq2054 Display Output Summary**

| Mode                     | Charge Action State                       | LED <sub>1</sub> | LED <sub>2</sub> | LED <sub>3</sub> |
|--------------------------|---|------------------|------------------|------------------|
| DSEL = 0<br>(Mode 1)     | Battery absent or over-voltage fault      | Low              | Low              | High             |
|                          | Pre-charge qualification                  | Flash            | Low              | Low              |
|                          | Fast charging                             | High             | Low              | Low              |
|                          | Charge complete                           | Low              | High             | Low              |
|                          | Charge pending (temperature out of range) | X                | X                | Flash            |
|                          | Charging fault                            | X                | X                | High             |
| DSEL = 1<br>(Mode 2)     | Battery absent or over-voltage fault      | Low              | Low              | High             |
|                          | Pre-charge qualification                  | High             | High             | Low              |
|                          | Fast charge                               | Low              | High             | Low              |
|                          | Charge complete                           | High             | Low              | Low              |
|                          | Charge pending (temperature out of range) | X                | X                | Flash            |
|                          | Charging fault                            | X                | X                | High             |
| DSEL = Float<br>(Mode 3) | Battery absent or over-voltage fault      | Low              | Low              | High             |
|                          | Pre-charge qualification                  | Flash            | Flash            | Low              |
|                          | Fast charge: current regulation           | Low              | High             | Low              |
|                          | Fast charge: voltage regulation           | High             | High             | Low              |
|                          | Charge complete                           | High             | Low              | Low              |
|                          | Charge pending (temperature out of range) | X                | X                | Flash            |
|                          | Charging fault                            | X                | X                | High             |

**Note:** 1 = V<sub>CC</sub>; 0 = V<sub>SS</sub>; X = LED state when fault occurred; Flash = 1/6 sec. low, 1/6 sec high.

Fast charge terminates when the charging current drops below a minimum current threshold programmed by the value of  $I_{TERM}$  (see Table 2) and remains below that level for  $120 \pm 40$ ms.

**Table 2.  $I_{MIN}$  Termination Thresholds**

| $I_{TERM}$ | $I_{MIN}$    |
|------------|--------------|
| 0          | $I_{MAX}/10$ |
| 1          | $I_{MAX}/20$ |
| Float      | $I_{MAX}/30$ |

Figure 3 shows the bq2054 configured for display mode 2 and  $I_{MIN} = I_{MAX}/10$ .

## Voltage and Current Monitoring

The bq2054 monitors battery pack voltage at the BAT pin. The user must implement a voltage divider between the positive and negative terminals of the battery pack to present a scaled battery pack voltage to the BAT pin. The bq2054 also uses the voltage across a sense resistor ( $R_{SNS}$ ) between the negative terminal of the battery pack and ground to monitor the current into the pack. See Figure 4 for the configuration of this network.

The resistor values are calculated from the following:

Equation 1

$$\frac{RB1}{RB2} = \frac{N * V_{REG}}{2.05V} - 1$$

where:

- $N$  = Number of cells in series
- $V_{REG}$  = Desired fast-charging voltage per cell

These parameters are typically specified by the battery manufacturer. The total resistance presented across the battery pack by  $RB1 + RB2$  should be between  $150k\Omega$  and  $1M\Omega$ . The minimum value ensures that the divider network does not drain the battery excessively when the power source is disconnected. Exceeding the maximum value increases the noise susceptibility of the BAT pin.

The current sense resistor,  $R_{SNS}$  (see Figure 5), determines the fast charge current. The value of  $R_{SNS}$  is given by the following:

Equation 2

$$I_{MAX} = \frac{0.250V}{R_{SNS}}$$

where:

- $I_{MAX}$  = Desired maximum charge current

## Hold-Off Period

Both  $V_{HCO}$  and  $I_{MIN}$  terminations are ignored during the first  $1.33 \pm 0.19$  seconds of both the Charge Qualification and Fast Charge phases. This condition prevents premature termination due to voltage spikes that may occur when charge is first applied.

# bq2054

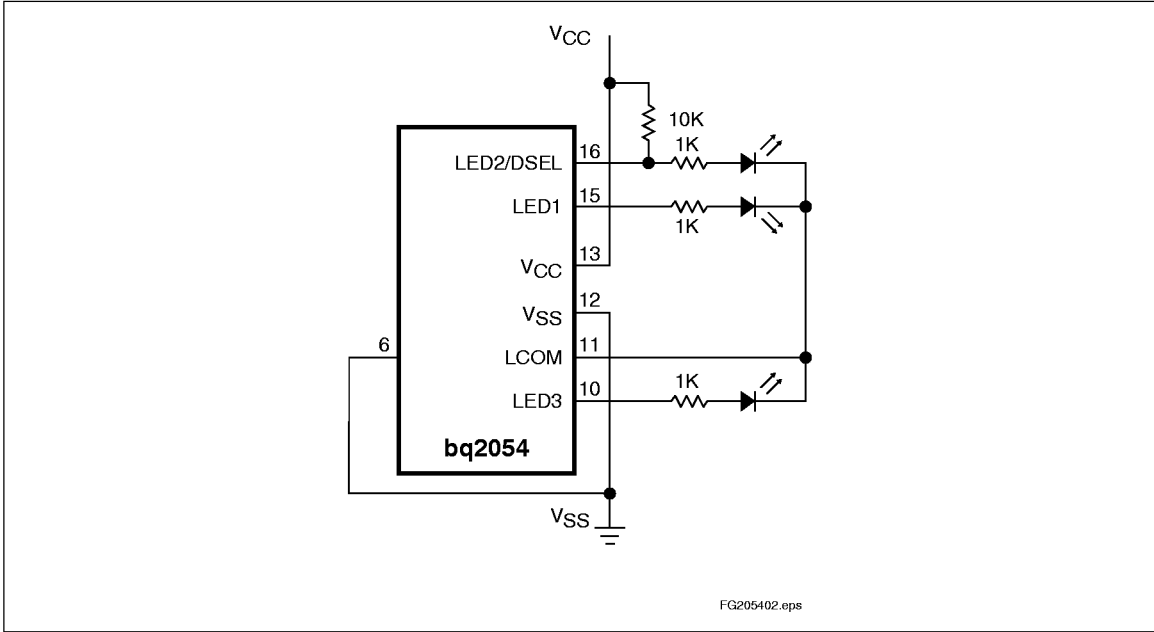


Figure 3. Configured Display Mode/IMIN Threshold

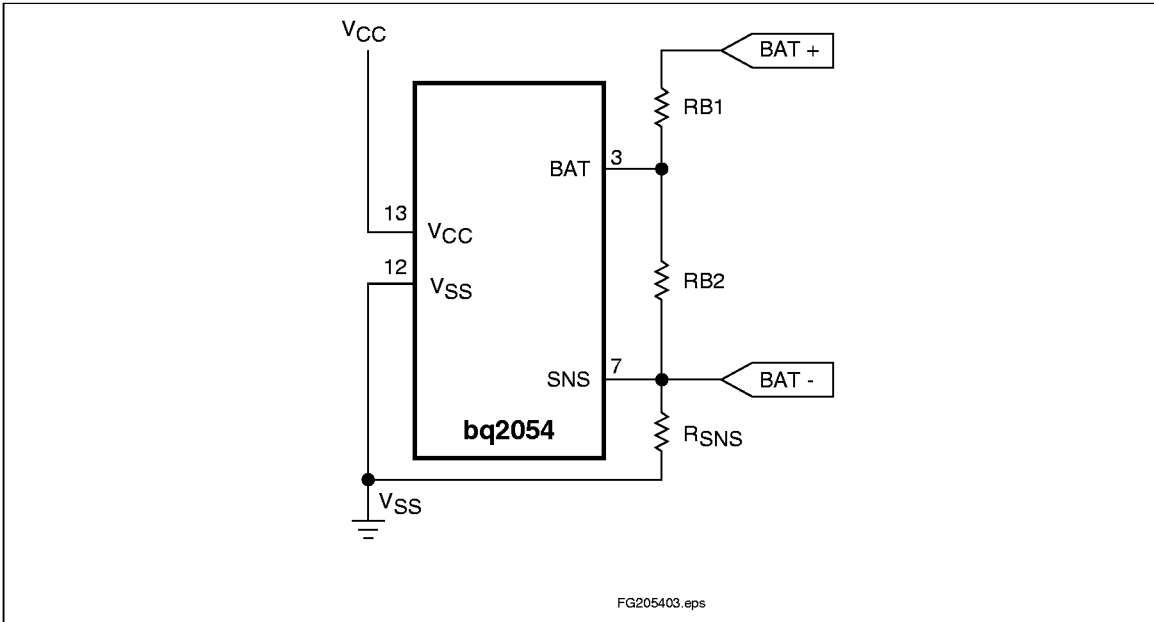


Figure 4. Configuring the Battery Divider

### Battery Insertion and Removal

$V_{CELL}$  is interpreted by the bq2054 to detect the presence or absence of a battery. The bq2054 determines that a battery is present when  $V_{CELL}$  is between the High-Voltage Cutoff ( $V_{HCO} = V_{REG} + 0.25V$ ) and the Low-Voltage Cutoff ( $V_{LCO} = 0.8V$ ). When  $V_{CELL}$  is outside this range, the bq2054 determines that no battery is present and transitions to the Fault state. Transitions into and out of the range between  $V_{LCO}$  and  $V_{HCO}$  are treated as battery insertions and removals, respectively. The  $V_{HCO}$  limit also implicitly serves as an over-voltage charge termination.

### Inrush Current Control

Whenever the bq2054 is in the fault or charge-complete state, the  $\overline{ICTL}$  output is driven low. This output can be used to disconnect the capacitor usually present in the charger across the positive and negative battery terminals, preventing the cap from supplying large inrush currents to a newly inserted battery. Such inrush currents may trip the overcurrent protection circuitry usually present in Li-Ion battery packs.

### Temperature Monitoring

The bq2054 monitors temperature by examining the voltage presented between the TS and SNS pins by a resistor network that includes a Negative Temperature Coefficient (NTC) thermistor. Resistance variations around that value are interpreted as being proportional to the battery temperature (see Figure 6).

The temperature thresholds used by the bq2054 and their corresponding TS pin voltage are:

- TCO (Temperature Cutoff): Higher limit of the temperature range in which charging is allowed.  $V_{TCO} = 0.4 * V_{CC}$
- HTF (High-Temperature Fault): Threshold to which temperature must drop after temperature cutoff is exceeded before charging can begin again.  $V_{HTF} = 0.44 * V_{CC}$
- LTF (Low-Temperature Fault): Lower limit of the temperature range in which charging is allowed.  $V_{LTF} = 0.6 * V_{CC}$

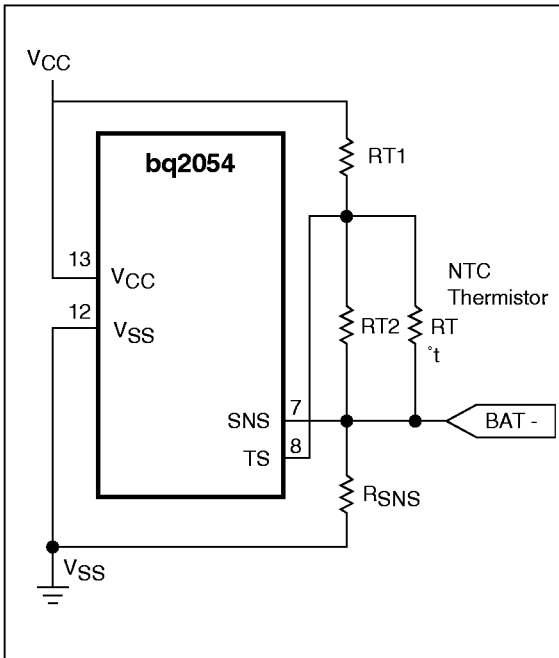


Figure 5. Configuring Temperature Sensing

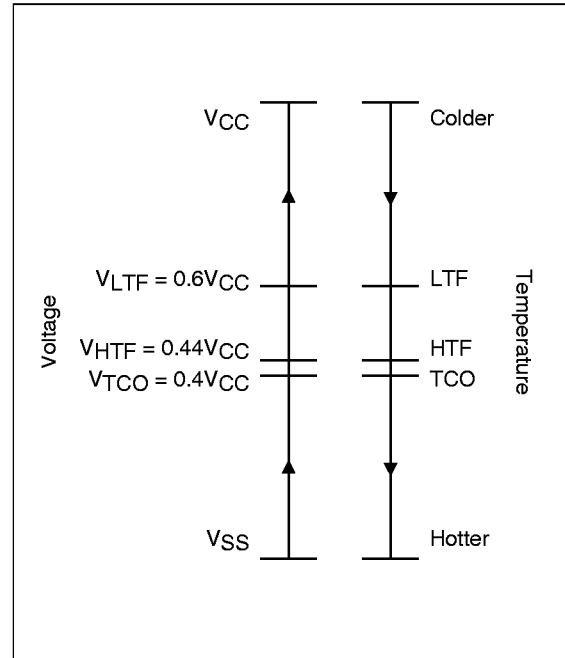


Figure 6. Voltage Equivalent of Temperature



## bq2054

A resistor-divider network can be implemented that presents the defined voltage levels to the TS pin at the desired temperatures (see Figure 6).

The equations for determining RT1 and RT2 are:

Equation 3

$$0.6 * V_{CC} = \frac{(V_{CC} - 0.250)}{1 + \frac{RT1 * (RT2 + R_{LTF})}{(RT2 * R_{LTF})}}$$

Equation 4

$$0.44 = \frac{1}{1 + \frac{RT1 * (RT2 + R_{HTF})}{(RT2 * R_{HTF})}}$$

where:

- $R_{LTF}$  = thermistor resistance at LTF
- $R_{HTF}$  = thermistor resistance at HTF

TCO is determined by the values of RT1 and RT2. 1% resistors are recommended.

### Disabling Temperature Sensing

Temperature sensing can be disabled by placing 10kΩ resistors between TS and SNS and between SNS and VCC.

### Maximum Time-Out

MTO is programmed from 1 to 24 hours by an R-C network on the TM pin (see Figure 7) per the equation:

Equation 5

$$t_{MTO} = 0.5 * R * C$$

Where R is in kΩ and C is in μF,  $t_{MTO}$  is in hours. The maximum value for C (0.1μF) is typically used.

The MTO timer is reset at the beginning of fast charge and when fast charge transitions from the current regulated to the voltage regulated mode. If MTO expires during the current regulated phase, the bq2054 enters the Fault state and terminates charge. If the MTO timer expires during the voltage regulated phase, fast charging terminates and the bq2054 enters the Charge Complete state.

The MTO timer is suspended (but not reset) during the out-of-range temperature (Charge Pending) state.

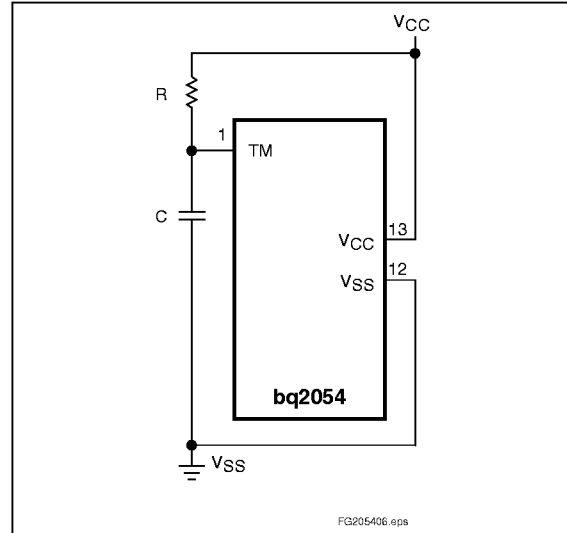


Figure 7. R-C Network for Setting MTO

### Charge Regulation

The bq2054 controls charging through pulse-width modulation of the MOD output pin, supporting both constant-current and constant-voltage regulation. Charge current is monitored at the SNS pin, and charge voltage is monitored at the BAT pin. These voltages are compared to an internal reference, and the MOD output modulated to maintain the desired value.

Voltage at the SNS pin is determined by the value of resistor  $R_{SNS}$ , so nominal regulated current is set by:

Equation 6

$$I_{MAX} = 0.250V/R_{SNS}$$

The switching frequency of the MOD output is determined by an external capacitor ( $C_{PWM}$ ) between the pin TPWM and ground, per the following:

Equation 7

$$F_{PWM} = 0.1/C_{PWM}$$

Where C is in μF and F is in kHz. A typical switching rate is 100kHz, implying  $C_{PWM} = 0.001\mu F$ . MOD pulse width is modulated between 0 and 90% of the switching period.

To prevent oscillation in the voltage and current control loops, frequency compensation networks (C or R-C) are typically required on the  $V_{COMP}$  and  $I_{COMP}$  pins (respectively).

## Absolute Maximum Ratings

| Symbol              | Parameter   | Minimum | Maximum | Unit | Notes        |
|---------------------|---|---------|---------|------|--------------|
| V <sub>CC</sub>     | V <sub>CC</sub> relative to V <sub>SS</sub>   | -0.3    | +7.0    | V    |              |
| V <sub>T</sub>      | DC voltage applied on any pin excluding V <sub>CC</sub> relative to V <sub>SS</sub> | -0.3    | +7.0    | V    |              |
| T <sub>OPR</sub>    | Operating ambient temperature   | -20     | +70     | °C   | Commercial   |
| T <sub>STG</sub>    | Storage temperature   | -55     | +125    | °C   |              |
| T <sub>SOLDER</sub> | Soldering temperature   | -       | +260    | °C   | 10 sec. max. |

**Note:** Permanent device damage may occur if **Absolute Maximum Ratings** are exceeded. Functional operation should be limited to the Recommended DC Operating Conditions detailed in this data sheet. Exposure to conditions beyond the operational limits for extended periods of time may affect device reliability.

## bq2054

---

### DC Thresholds (T<sub>A</sub> = TOPR; V<sub>CC</sub> = 5V ±10%)

| Symbol           | Parameter                      | Rating                 | Unit  | Tolerance | Notes                  |
|------------------|--------------------------------|------------------------|-------|-----------|------------------------|
| V <sub>REF</sub> | Internal reference voltage     | 2.05                   | V     | 1%        | T <sub>A</sub> = 25°C  |
|                  | Temperature coefficient        | -0.5                   | mV/°C | 10%       |                        |
| V <sub>LTF</sub> | TS maximum threshold           | 0.6 * V <sub>CC</sub>  | V     | ±0.03V    | Low-temperature fault  |
| V <sub>HTF</sub> | TS hysteresis threshold        | 0.44 * V <sub>CC</sub> | V     | ±0.03V    | High-temperature fault |
| V <sub>TCO</sub> | TS minimum threshold           | 0.4 * V <sub>CC</sub>  | V     | ±0.03V    | Temperature cutoff     |
| V <sub>HCO</sub> | High cutoff voltage            | 2.3V                   | V     | 1%        |                        |
| V <sub>MIN</sub> | Under-voltage threshold at BAT | 0.2 * V <sub>CC</sub>  | V     | ±0.03V    |                        |
| V <sub>LCO</sub> | Low cutoff voltage             | 0.8                    | V     | ±0.03V    |                        |
| V <sub>SNS</sub> | Current sense at SNS           | 0.250                  | V     | 10%       | I <sub>MAX</sub>       |
|                  |                                | 0.050                  | V     | 10%       | I <sub>COND</sub>      |

**Recommended DC Operating Conditions** ( $T_A = T_{OPR}$ )

| Symbol                     | Parameter   | Minimum              | Typical | Maximum               | Unit | Notes   |
|----------------------------|---|----------------------|---------|-----------------------|------|---|
| V <sub>CC</sub>            | Supply voltage  | 4.5                  | 5.0     | 5.5                   | V    |   |
| V <sub>TEMP</sub>          | Temperature sense voltage                                   | 0                    | -       | V <sub>CC</sub>       | V    | V <sub>TS</sub> - V <sub>SNS</sub>                    |
| V <sub>CELL</sub>          | Per cell battery voltage input                              | 0                    | -       | V <sub>CC</sub>       | V    | V <sub>BAT</sub> - V <sub>SNS</sub>                   |
| I <sub>CC</sub>            | Supply current  | -                    | 2       | 4                     | mA   | Outputs unloaded                                      |
| I <sub>I<sub>Z</sub></sub> | DSEL tri-state open detection                               | -2                   | -       | 2                     | μA   | Note 2  |
|                            | I <sub>TERM</sub> tri-state open detection                  | -2                   | -       | 2                     | μA   |   |
| V <sub>IH</sub>            | Logic input high  | V <sub>CC</sub> -0.3 | -       | -                     | V    | DSEL, I <sub>TERM</sub>                               |
| V <sub>IL</sub>            | Logic input low   | -                    | -       | V <sub>SS</sub> +0.3  | V    | DSEL, I <sub>TERM</sub>                               |
| V <sub>OH</sub>            | LED <sub>1-3</sub> , $\overline{\text{ICTL}}$ , output high | V <sub>CC</sub> -0.8 | -       | -                     | V    | I <sub>OH</sub> ≤ 10mA                                |
|                            | MOD output high   | V <sub>CC</sub> -0.8 | -       | -                     | V    | I <sub>OH</sub> ≤ 10mA                                |
| V <sub>OL</sub>            | LED <sub>1-3</sub> , $\overline{\text{ICTL}}$ , output low  | -                    | -       | V <sub>SS</sub> +0.8V | V    | I <sub>OL</sub> ≤ 10mA                                |
|                            | MOD output low  | -                    | -       | V <sub>SS</sub> +0.8V | V    | I <sub>OL</sub> ≤ 10mA                                |
|                            | LCOM output low   | -                    | -       | V <sub>SS</sub> +0.5  | V    | I <sub>OL</sub> ≤ 30mA                                |
| I <sub>OH</sub>            | LED <sub>1-3</sub> , $\overline{\text{ICTL}}$ , source      | -10                  | -       | -                     | mA   | V <sub>OH</sub> = V <sub>CC</sub> -0.5V               |
|                            | MOD source  | -5.0                 | -       | -                     | mA   | V <sub>OH</sub> = V <sub>CC</sub> -0.5V               |
| I <sub>OL</sub>            | LED <sub>1-3</sub> , $\overline{\text{ICTL}}$ , sink        | 10                   | -       | -                     | mA   | V <sub>OL</sub> = V <sub>SS</sub> +0.5V               |
|                            | MOD sink  | 5                    | -       | -                     | mA   | V <sub>OL</sub> = V <sub>SS</sub> +0.8V               |
|                            | LCOM sink   | 30                   | -       | -                     | mA   | V <sub>OL</sub> = V <sub>SS</sub> +0.5V               |
| I <sub>IL</sub>            | DSEL logic input low source                                 | -                    | -       | +30                   | μA   | V = V <sub>SS</sub> to V <sub>SS</sub> + 0.3V, Note 2 |
|                            | I <sub>TERM</sub> logic input low source                    | -                    | -       | +70                   | μA   | V = V <sub>SS</sub> to V <sub>SS</sub> + 0.3V         |
| I <sub>IH</sub>            | DSEL logic input high source                                | -30                  | -       | -                     | μA   | V = V <sub>CC</sub> - 0.3V to V <sub>CC</sub>         |
|                            | I <sub>TERM</sub> logic input high source                   | -70                  | -       | -                     | μA   | V = V <sub>CC</sub> - 0.3V to V <sub>CC</sub>         |

- Notes:**
1. All voltages relative to V<sub>SS</sub> except where noted.
  2. Conditions during initialization after V<sub>CC</sub> applied.

## bq2054

---

### Impedance

| Symbol             | Parameter   | Minimum | Typical | Maximum | Unit | Notes             |
|--------------------|---|---------|---------|---------|------|-------------------|
| R <sub>BATZ</sub>  | BAT pin input impedance   | 50      | -       | -       | MΩ   |                   |
| R <sub>SNSZ</sub>  | SNS pin input impedance   | 50      | -       | -       | MΩ   |                   |
| R <sub>TSZ</sub>   | TS pin input impedance  | 50      | -       | -       | MΩ   |                   |
| R <sub>PROG1</sub> | Soft-programmed pull-up or pull-down resistor value (for programming) | -       | -       | 10      | kΩ   | DSEL              |
| R <sub>PROG2</sub> | Pull-up or pull-down resistor value                                   | -       | -       | 3       | kΩ   | I <sub>TERM</sub> |
| R <sub>MTO</sub>   | Charge timer resistor   | 20      | -       | 480     | kΩ   |                   |

### Timing (T<sub>A</sub> = T<sub>OPR</sub>; V<sub>CC</sub> = 5V ±10%)

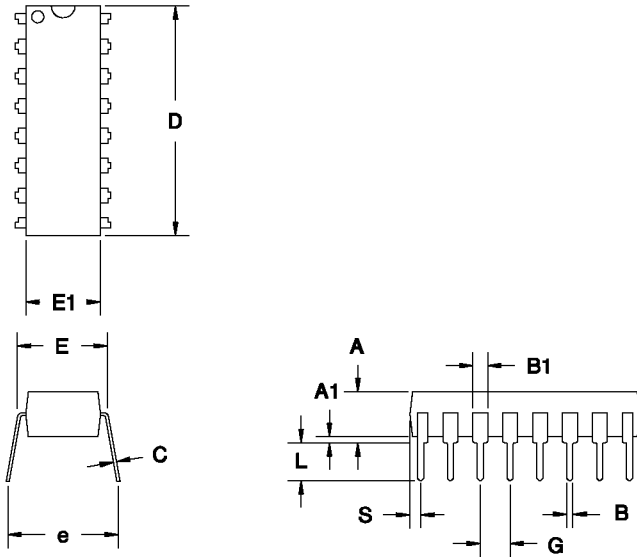
| Symbol           | Parameter                            | Minimum | Typical          | Maximum | Unit  | Notes                                   |
|------------------|--------------------------------------|---------|------------------|---------|-------|---|
| t <sub>MTO</sub> | Charge time-out range                | 1       | -                | 24      | hours | See Figure 7                            |
| t <sub>QT</sub>  | Pre-charge qual test time-out period | -       | t <sub>MTO</sub> | -       | -     |   |
| t <sub>HO</sub>  | Termination hold-off period          | 1.14    | -                | 1.52    | sec.  |   |
| t <sub>MIN</sub> | Min. current detect filter period    | 80      | -                | 160     | msec. |   |
| F <sub>PWM</sub> | PWM regulator frequency range        | -       | 100              | -       | kHz   | C <sub>PWM</sub> = 0.001μF (equation 7) |

### Capacitance

| Symbol           | Parameter              | Minimum | Typical | Maximum | Unit |
|------------------|------------------------|---------|---------|---------|------|
| C <sub>MTO</sub> | Charge timer capacitor | -       | -       | 0.1     | μF   |
| C <sub>PWM</sub> | PWM R-C capacitance    | -       | 0.001   | -       | μF   |

# bq2054

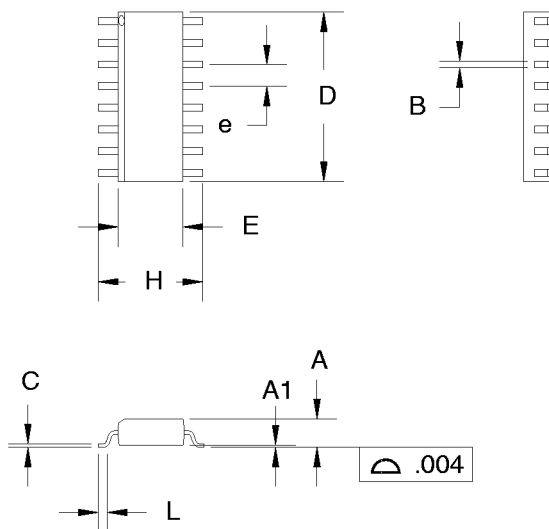
## 16-Pin DIP Narrow (PN)



### 16-Pin PN (0.300" DIP)

| Dimension | Inches |       | Millimeters |       |
|-----------|--------|-------|-------------|-------|
|           | Min.   | Max.  | Min.        | Max.  |
| A         | 0.160  | 0.180 | 4.06        | 4.57  |
| A1        | 0.015  | 0.040 | 0.38        | 1.02  |
| B         | 0.015  | 0.022 | 0.38        | 0.56  |
| B1        | 0.055  | 0.065 | 1.40        | 1.65  |
| C         | 0.008  | 0.013 | 0.20        | 0.33  |
| D         | 0.740  | 0.770 | 18.80       | 19.56 |
| E         | 0.300  | 0.325 | 7.62        | 8.26  |
| E1        | 0.230  | 0.280 | 5.84        | 7.11  |
| e         | 0.300  | 0.370 | 7.62        | 9.40  |
| G         | 0.090  | 0.110 | 2.29        | 2.79  |
| L         | 0.115  | 0.150 | 2.92        | 3.81  |
| S         | 0.020  | 0.040 | 0.51        | 1.02  |

## 16-Pin SOIC Narrow (SN)



### 16-Pin SN (0.150" SOIC)

| Dimension | Inches |       | Millimeters |       |
|-----------|--------|-------|-------------|-------|
|           | Min.   | Max.  | Min.        | Max.  |
| A         | 0.060  | 0.070 | 1.52        | 1.78  |
| A1        | 0.004  | 0.010 | 0.10        | 0.25  |
| B         | 0.013  | 0.020 | 0.33        | 0.51  |
| C         | 0.007  | 0.010 | 0.18        | 0.25  |
| D         | 0.385  | 0.400 | 9.78        | 10.16 |
| E         | 0.150  | 0.160 | 3.81        | 4.06  |
| e         | 0.045  | 0.055 | 1.14        | 1.40  |
| H         | 0.225  | 0.245 | 5.72        | 6.22  |
| L         | 0.015  | 0.035 | 0.38        | 0.89  |

## Data Sheet Revision History

| Change No. | Page No.    | Description   | Nature of Change                                      |
|------------|-------------|---|---|
| 1          | 5, 7, 8, 10 | Value Change  | Changed $V_{SNS}$ and $I_{MAX}$                       |
| 2          | 5, 10       | Value Change  | Changed $V_{REF}$                                     |
| 3          | 10          | Coefficient Addition  | Temperature coefficient added                         |
| 4          | 5           | New state diagram   | Diagram inserted                                      |
| 4          | 1, 2, 8, 12 | NC pin replaced with $\overline{ICTL}$                                |   |
| 4          | 3, 5, 13    | Termination hold-off period added<br>$I_{MIN}$ detect filtering added |   |
| 5          | 11          | $V_{HCO}$ Rating changed to 2.3V<br>$V_{HCO}$ Tolerance changed to 1% | Changed values for $V_{HCO}$                          |
| 6          | 13          | $t_{QT}$ in Timing Specifications                                     | $t_{QT}$ changed from $(0.16 * t_{MTO})$ to $t_{MTO}$ |
| 7          | 5           | $I_{TERM}$ in Table 2   | Z changes to Float                                    |
| 7          | 8           | Figure 6  | RB1 and RB2 changed to RT1 and RT2                    |
| 8          | 10          | $T_{OPR}$   | Deleted industrial temperature range.                 |

**Notes:** Change 3 = April 1996 C changes from Dec. 1995 B.  
 Change 4 = Sept. 1996 D changes from April 1996 C.  
 Change 5 = Nov. 1996 E changes from Sept. 1996 D.  
 Change 6 = Oct. 1997 F changes from Nov. 1996 E.  
 Change 7 = Oct. 1997 G changes from Oct. 1997 F.  
 Change 8 = June 1999 H changes from Oct. 1997 G.

## Ordering Information

