

## MAX17703

## 4.5V to 60V, Synchronous Step-Down Li-Ion Battery Charger Controller

### General Description

The Himalaya series of voltage regulator ICs, power modules, and chargers enable cooler, smaller, and simpler power supply solutions. The MAX17703 is a high-efficiency, high-voltage, synchronous, step-down, Himalaya Li-ion battery-charger controller designed to operate over an input-voltage range of a 4.5V to 60V. The MAX17703 operates over a wide  $-40^{\circ}\text{C}$  to  $+125^{\circ}\text{C}$  temperature range and offers a complete charging solution for Li-ion batteries with a  $\pm 4\%$  accurate constant current. The output voltage is programmable from 1.25V up to  $(V_{\text{DCIN}} - 2.1\text{V})$  with  $\pm 1\%$  regulation accuracy.

The device uses an external nMOSFET to provide input supply-side short-circuit protection, preventing battery discharge.

The device charges the battery in constant current (CC) and constant voltage (CV) states and terminates in a top-up-charge state after the taper timer is elapsed. The device resumes charging automatically when the battery voltage falls below the recharge voltage threshold. Detection and preconditioning of deeply discharged batteries are enabled by a deep discharge detection comparator.

The MAX17703 is available in a 24-pin 4mm x 4mm TQFN package with an exposed pad.

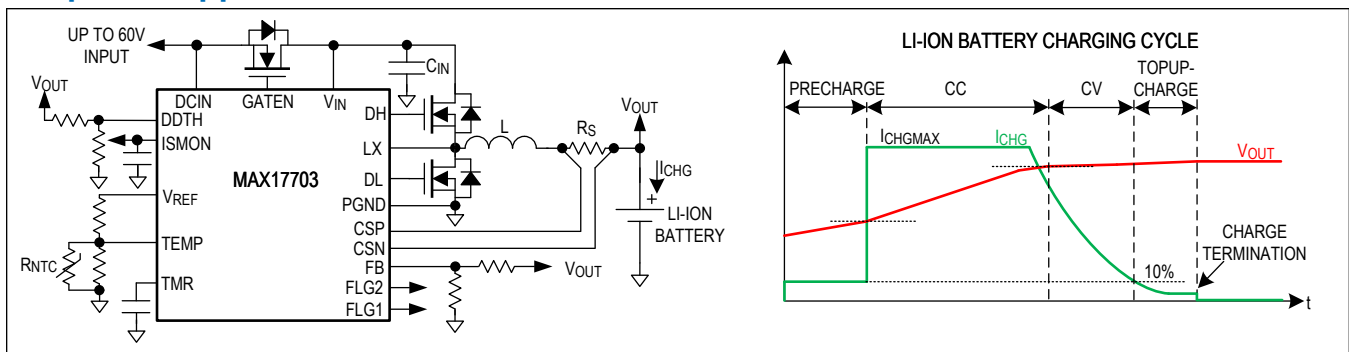
### Applications

- Industrial Battery Charging and Energy Storage
- Power Tools and Handheld Terminals
- Battery Backup for Lighting, Security Cameras, and Control Panels
- Portable Industrial and Medical Equipment
- Building and Home-Automation Backup Power

### Benefits and Features

- Optimized Feature-Set for Li-Ion Batteries Including Li-Polymer,  $\text{LiFePO}_4$  and Li-Titanate
  - $\pm 4\%$  Charging Current Regulation Accuracy
  - $\pm 6\%$  Charging Current Monitor Accuracy (ISMON)
  - $\pm 1\%$  Voltage Regulation Accuracy
  - Programmable Constant Current (CC) Mode Charging Current (ILIM)
  - Charge Termination on Full Battery Detection with Taper Current Threshold and Taper Timer
  - Wide 4.5V to 60V Input-Voltage Range
  - Adjustable Output-Voltage Range from 1.25V up to 12 Li-Ion cells in series
  - 125kHz to 2.2MHz Adjustable Frequency with External Clock Synchronization (RT/SYNC)
- Reliable Operation in Adverse Environmental Conditions
  - Input Short-Circuit Protection (GATEN)
  - Safety Timer Feature (TMR)
  - Deeply Discharged Battery Detection and Preconditioning (DDTH)
  - Battery Temperature Sensing and Charge when Within Temperature of Range (TEMP)
  - Cycle-by-Cycle Overcurrent Limit
  - Programmable EN/UVLO Threshold
  - Status Output Monitoring Using Open-Drain Outputs (FLG1 and FLG2)
  - Overtemperature Protection
  - Complies with CISPR 32 (EN55032) Class B Conducted and Radiated Emissions
  - Wide  $-40^{\circ}\text{C}$  to  $+125^{\circ}\text{C}$  Ambient Operating Temperature Range/  $-40^{\circ}\text{C}$  to  $+150^{\circ}\text{C}$  Junction Temperature Range

### Simplified Application Circuit



## Absolute Maximum Ratings

$V_{IN}$ to SGND/EP .....	-0.3V to +65V	BST to PGND .....	-0.3V to +70V
DCIN to SGND/EP .....	-0.3V to min(+65V, $V_{IN} + 0.6V$ )	DL to PGND .....	-0.3V to ( $V_{CC} + 0.3V$ )
GATEN to DCIN .....	-0.3V to +6V	DH to LX .....	-0.3V to (BST + 0.3V)
GATEN to SGND/EP ....	max(-0.3V, DCIN - 0.3V) to (DCIN + 6V)	EXTVCC to SGND/EP .....	-0.3V to +26V
$V_{CC}$ to SGND/EP .....	-0.3V to min(+6V, $V_{IN} + 0.3V$ )	PGND to SGND/EP .....	-0.3V to +0.3V
CSN, CSP to SGND/EP .....	-0.3V to ( $V_{IN} + 0.6V$ )	Continuous Power Dissipation ( $T_A = +70^\circ\text{C}$ ) TQFN (derate 27.85mW/ $^\circ\text{C}$ above +70 $^\circ\text{C}$ ) .....	2222mW
CSP to CSN .....	-0.3V to +0.3V	Operating Temperature Range (Note 1) .....	-40 $^\circ\text{C}$ to +125 $^\circ\text{C}$
$V_{REF}$ , TMR, ILIM to SGND/EP .....	-0.3V to ( $V_{CC} + 0.3V$ )	Junction Temperature .....	+150 $^\circ\text{C}$
COMP, ISMON, RT/SYNC to SGND/EP ....	-0.3V to ( $V_{CC} + 0.3V$ )	Storage Temperature Range .....	-65 $^\circ\text{C}$ to +150 $^\circ\text{C}$
DDTH, FB, TEMP to SGND/EP .....	-0.3V to +6V	Lead Temperature (soldering, 10s).....	+300 $^\circ\text{C}$
FLG1, FLG2, EN/UVLO to SGND/EP .....	-0.3V to +6V	Soldering Temperature (reflow) .....	+260 $^\circ\text{C}$
LX to PGND .....	-0.3V to +65V		
BST to LX .....	-0.3V to +6V		

**Note 1:** Junction temperature greater than +125 $^\circ\text{C}$  degrades operating lifetimes.

Stresses beyond those listed under "Absolute Maximum Ratings" may cause permanent damage to the device. These are stress ratings only, and functional operation of the device at these or any other conditions beyond those indicated in the operational sections of the specifications is not implied. Exposure to absolute maximum rating conditions for extended periods may affect device reliability.

## Package Information

### 24 TQFN

Package Code	T2444+5C
Outline Number	<a href="#">21-100405</a>
Land Pattern Number	<a href="#">90-100139</a>
<b>THERMAL RESISTANCE, FOUR-LAYER BOARD</b>	
Junction to Ambient ( $\theta_{JA}$ )	36 $^\circ\text{C}/\text{W}$
Junction to Case ( $\theta_{JC}$ )	3 $^\circ\text{C}/\text{W}$

For the latest package outline information and land patterns (footprints), go to [www.maximintegrated.com/packages](http://www.maximintegrated.com/packages). Note that a "+", "#", or "-" in the package code indicates RoHS status only. Package drawings may show a different suffix character, but the drawing pertains to the package regardless of RoHS status.

Package thermal resistances were obtained using the method described in JEDEC specification JESD51-7, using a four-layer board. For detailed information on package thermal considerations, refer to [www.maximintegrated.com/thermal-tutorial](http://www.maximintegrated.com/thermal-tutorial).

## Electrical Characteristics

( $V_{IN} = V_{DCIN} = 24V$ ,  $C_{VIN} = 4.7\mu\text{F}$ ,  $C_{DCIN} = 100\text{nF}$ ,  $C_{VCC} = 4.7\mu\text{F}$ ,  $C_{VREF} = 100\text{nF}$ ,  $C_{BST} = 470\text{nF}$ , ( $V_{BST}$  to  $V_{LX}$ ) = 5V,  $V_{EN/UVLO} = V_{LX} = V_{ILIM} = V_{CSN} = V_{CSP} = V_{DDTH} = V_{TMR} = 2.5V$ ,  $V_{TEMP} = V_{FB} = 1.1V$ ,  $V_{EXTVCC} = V_{SGND/EP} = V_{PGND} = 0V$ , RT/SYNC = DH = DL = GATEN = COMP = FLG1 = FLG2 = ISMON = Unconnected,  $T_A = -40^\circ\text{C}$  to +125 $^\circ\text{C}$ , unless otherwise noted. Typical values are at  $T_A = +25^\circ\text{C}$ . All voltages are referenced to SGND/EP, unless otherwise noted.) (Note 2)

PARAMETER	SYMBOL	CONDITIONS	MIN	TYP	MAX	UNITS
<b>POWER SUPPLY</b>						
DCIN Voltage Range		DCIN connected to $V_{IN}$ , External nMOSFET not used	4.5		60	V
		External nMOSFET used	5.5		60	
$V_{IN}$ Voltage Range			4.5		60	V
Input Quiescent Current	$I_{QNS}$	( $V_{IN} - V_{CSN}$ ) > 2.1V, $V_{FB} = 1.5V$	1.4	2.1	2.8	mA
Input Switching Current	$I_{QS}$		1.7	2.5	3.5	mA

**Electrical Characteristics (continued)**

( $V_{IN} = V_{DCIN} = 24V$ ,  $C_{VIN} = 4.7\mu F$ ,  $C_{DCIN} = 100nF$ ,  $C_{VCC} = 4.7\mu F$ ,  $C_{VREF} = 100nF$ ,  $C_{BST} = 470nF$ , ( $V_{BST}$  to  $V_{LX}$ ) = 5V,  $V_{EN/UVLO} = V_{LX} = V_{ILIM} = V_{CSN} = V_{CSP} = V_{DDTH} = V_{TMR} = 2.5V$ ,  $V_{TEMP} = V_{FB} = 1.1V$ ,  $V_{EXTVCC} = V_{SGND/EP} = V_{PGND} = 0V$ ,  $R_{T/SYNC} = DH = DL = GATEN = COMP = FLG1 = FLG2 = ISMON = \text{Unconnected}$ ,  $T_A = -40^\circ C$  to  $+125^\circ C$ , unless otherwise noted. Typical values are at  $T_A = +25^\circ C$ . All voltages are referenced to  $SGND/EP$ , unless otherwise noted.) (Note 2)

PARAMETER	SYMBOL	CONDITIONS	MIN	TYP	MAX	UNITS
Shutdown Supply Current	$I_{IN-SH}$	$V_{EN/UVLO} = 0V$ (shutdown mode)		7	18	$\mu A$
<b>ENABLE/UVLO (EN/UVLO)</b>						
EN/UVLO Rising Threshold	$V_{EN\_TH\_R}$	$V_{EN/UVLO}$ rising	1.22	1.25	1.27	V
EN/UVLO Falling Threshold	$V_{EN\_TH\_F}$		1.07	1.09	1.11	V
EN/UVLO Bias Current	$I_{EN-BIAS}$	$V_{EN/UVLO} = 0.5V$	1.4	3.0	6.5	$\mu A$
EN/UVLO True Shutdown Threshold	$V_{ENT}$	$V_{EN/UVLO}$ rising	0.4	0.7	1.1	V
		Hysteresis		60		mV
<b>V<sub>CC</sub> REGULATORS (INT-LDO AND EXT-LDO)</b>						
V <sub>CC</sub> Output Voltage	V <sub>CC</sub>	$6V < V_{IN} < 60V$ , $I_{VCC} = 1mA$ ( $V_{CC}$ supplied from INT-LDO)	5.00	5.15	5.30	V
		$V_{IN} = 24V$ , $I_{VCC} = 0mA$ to 75mA, ( $V_{CC}$ supplied from INT-LDO)	4.95	5.10	5.25	
		$6V < V_{EXTVCC} < 24V$ , $I_{VCC} = 1mA$ ( $V_{CC}$ supplied from EXT-LDO)	5.00	5.15	5.30	
		$V_{EXTVCC} = 12V$ , $I_{VCC} = 0mA$ to 75 mA, ( $V_{CC}$ supplied from EXT-LDO)	4.95	5.10	5.25	
V <sub>CC</sub> Output-Current Limit	$I_{VCC\_LIMIT}$	$V_{IN} = 8.5V$ , $V_{CC} = 4V$ ( $V_{CC}$ supplied from INT-LDO)	80	110	135	mA
		$V_{EXTVCC} = 8.5V$ , $V_{CC} = 4V$ ( $V_{CC}$ supplied from EXT-LDO)	80	110	135	
V <sub>CC</sub> Dropout Voltage	V <sub>CC-DO</sub>	$V_{IN} = 4.5V$ , $I_{VCC} = 75mA$ ( $V_{CC}$ supplied from INT-LDO)		370	750	mV
		$V_{EXTVCC} = 4.9V$ , $I_{VCC} = 75mA$ ( $V_{CC}$ supplied from EXT-LDO)		185	350	
V <sub>CC</sub> Undervoltage Threshold	V <sub>CC-UVR</sub>	V <sub>CC</sub> rising	4.14	4.20	4.26	V
	V <sub>CC-UVF</sub>	V <sub>CC</sub> falling	3.74	3.80	3.86	
EXTVCC Voltage Range			4.8		24	V
EXTVCC Switchover Voltage		$V_{EXTVCC}$ rising	4.63	4.70	4.77	V
		Hysteresis		0.24		
<b>OSCILLATOR (RT/SYNC)</b>						
Switching Frequency	$f_{SW}$	$R_{RT/SYNC} = 350k\Omega$	118.75	125	131.25	kHz
		$R_{RT/SYNC} = \text{unconnected}$	332.5	350.0	367.5	
		$R_{RT/SYNC} = 110k\Omega$	380	400	420	
		$R_{RT/SYNC} = 19k\Omega$	2090	2200	2310	
Synchronization Frequency Range	$f_{SYNC}$		0.9 x $f_{SW}$		1.1 x $f_{SW}$	kHz
External Clock Amplitude		$C_{COUPLING} = 10pF$	3			V

**Electrical Characteristics (continued)**

( $V_{IN} = V_{DCIN} = 24V$ ,  $C_{VIN} = 4.7\mu F$ ,  $C_{DCIN} = 100nF$ ,  $C_{VCC} = 4.7\mu F$ ,  $C_{VREF} = 100nF$ ,  $C_{BST} = 470nF$ , ( $V_{BST}$  to  $V_{LX}$ ) = 5V,  $V_{EN/UVLO} = V_{LX} = V_{ILIM} = V_{CSN} = V_{CSP} = V_{DDTH} = V_{TMR} = 2.5V$ ,  $V_{TEMP} = V_{FB} = 1.1V$ ,  $V_{EXTVCC} = V_{SGND/EP} = V_{PGND} = 0V$ ,  $RT/SYNC = DH = DL = GATEN = COMP = FLG1 = FLG2 = ISMON = \text{Unconnected}$ ,  $T_A = -40^\circ C$  to  $+125^\circ C$ , unless otherwise noted. Typical values are at  $T_A = +25^\circ C$ . All voltages are referenced to  $SGND/EP$ , unless otherwise noted.) (Note 2)

PARAMETER	SYMBOL	CONDITIONS	MIN	TYP	MAX	UNITS	
SYNC High Pulse Width			100			ns	
SYNC Low Pulse Width			100			ns	
SYNC Input-Leakage Current	$I_{SYNC\_LKG}$	$V_{RT/SYNC} = 2.5V$ , $T_A = +25^\circ C$	-100		+100	nA	
<b>GATE DRIVER</b>							
DH to BST On-Resistance		Source 100mA	0.8	1.2	2.1	$\Omega$	
DH to LX On-Resistance		Sink 100mA	0.3	0.6	1.0	$\Omega$	
DL to $V_{CC}$ On-Resistance		Source 100mA	0.8	1.2	2.1	$\Omega$	
DL to PGND On-Resistance		Sink 100mA	0.3	0.6	1.0	$\Omega$	
DH Minimum Controlled On-Time	$t_{MIN\_ON\_DH}$		60	80	100	ns	
DL Minimum Guaranteed On-Time	$t_{MIN\_ON\_DL}$		60	80	100	ns	
Dead Time	$t_{DT\_HL}$	DH falling to DL rising, $C_{DH-LX} = 6nF$ , $C_{DL-PGND} = 6nF$		30		ns	
	$t_{DT\_LH}$	DL falling to DH rising, $C_{DH-LX} = 6nF$ , $C_{DL-PGND} = 6nF$		30			
DH Transition Time	$t_{HR}$	DH rising, $C_{DH-LX} = 6nF$		25		ns	
	$t_{HF}$	DH falling, $C_{DH-LX} = 6nF$		11			
DL Transition Time	$t_{LR}$	DL rising, $C_{DL-PGND} = 6nF$		25		ns	
	$t_{LF}$	DL falling, $C_{DL-PGND} = 6nF$		11			
<b>REFERENCE VOLTAGE (<math>V_{REF}</math>)</b>							
$V_{REF}$ Output Voltage	$V_{REF}$	$I_{VREF} = 0$ to 1mA	2.465	2.500	2.535	V	
Reference Current Limit	$I_{REF\_LIM}$	$V_{REF} = 2.45V$	1.2	1.8	2.7	mA	
<b>CURRENT SENSE (CSP, CSN, ILIM)</b>							
CSP, CSN Common-Mode Voltage Range			0		$(V_{IN} - 2)$	V	
CSP-to-CSN Input Operating Voltage	$V_{DIFF\_CS}$	$V_{DIFF\_CS} = (V_{CSP} - V_{CSN})$	-10		+100	mV	
CSP-to-CSN Regulation Voltage Accuracy	$V_{CSREG}$	$V_{ILIM} = 1.5V$	48	50	52	mV	
		$V_{ILIM} = 0.9V$	28	30	32		
		$V_{ILIM} = V_{REF}$	48	50	52		
CSP Pin Current		CSP source		200	1400	nA	
CSN Pin Current		$V_{EN/UVLO} = 0V$ , CSN sink		1.3	2.3	$\mu A$	
		Charger on, $V_{ILIM} = 0.9V$ to $1.5V$	$I_{CHG} > I_{TCHG}$ , CSN source	250	400		550
			$I_{CHG} < I_{TCHG}$ , CSN sink	470	700		1000

**Electrical Characteristics (continued)**

( $V_{IN} = V_{DCIN} = 24V$ ,  $C_{VIN} = 4.7\mu F$ ,  $C_{DCIN} = 100nF$ ,  $C_{VCC} = 4.7\mu F$ ,  $C_{VREF} = 100nF$ ,  $C_{BST} = 470nF$ , ( $V_{BST}$  to  $V_{LX}$ ) = 5V,  $V_{EN/UVLO} = V_{LX} = V_{ILIM} = V_{CSN} = V_{CSP} = V_{DDTH} = V_{TMR} = 2.5V$ ,  $V_{TEMP} = V_{FB} = 1.1V$ ,  $V_{EXTVCC} = V_{SGND/EP} = V_{PGND} = 0V$ ,  $RT/SYNC = DH = DL = GATEN = COMP = FLG1 = FLG2 = ISMON = \text{Unconnected}$ ,  $T_A = -40^\circ C$  to  $+125^\circ C$ , unless otherwise noted. Typical values are at  $T_A = +25^\circ C$ . All voltages are referenced to  $SGND/EP$ , unless otherwise noted.) (Note 2)

PARAMETER	SYMBOL	CONDITIONS	MIN	TYP	MAX	UNITS
Current-Loop-Error Amplifier Transconductance	$g_{mi}$	$(V_{CSP} - V_{CSN}) = V_{CSREG} \pm 25mV$	275	480	685	$\mu S$
ILIM Input Leakage Current		$V_{ILIM} = 1.5V$ , $T_A = 25^\circ C$	-100		100	nA
CSN Undervoltage Lockout Threshold	$V_{CMUVLO}$	$(V_{IN} - V_{CSN})$ , rising	1.97	2.04	2.10	V
		$(V_{IN} - V_{CSN})$ , falling	1.88	1.95	2.02	
Overcurrent Threshold	$V_{CS\_PEAK}$	$V_{CS\_PEAK} = (V_{CSP} - V_{CSN})$ , $V_{ILIM} = 1.5V$	70	75	80	mV
		Hysteresis		10		
Zero-Cross Threshold	$V_{ZX}$	$(V_{CSP} - V_{CSN})$ falling	3	4.5	6	mV
PWM-Ramp Amplitude	$V_{RAMP}$	$f_{SW} = 125kHz$ to $2.2MHz$	1.37	1.44	1.51	V
<b>VOLTAGE REGULATION AMPLIFIER (FB)</b>						
FB Reference Voltage	$V_{FB\_REG}$		1.237	1.250	1.263	V
FB Input-Leakage Current		$V_{FB} = 1.3V$ , $T_A = +25^\circ C$	-100		100	nA
Voltage-Loop-Error Amplifier Gain	$G_V$		1.15	1.30	1.42	mV/mV
FB to $SGND/EP$ Short Fault Threshold	$V_{FBGND}$	$V_{FB} < V_{FBGND}$	57	65	73	mV
<b>INPUT SHORT-CIRCUIT PROTECTION (GATEN)</b>						
External nMOSFET Gate Drive Voltage	$(V_{GATEN} - V_{DCIN})$		4.65	5	5.50	V
GATEN Drive Current	$I_{GATEN}$		17	20	23	$\mu A$
GATEN Active Pulldown Resistance	$R_{GATEN\_A}$	$I_{GATEN} = 100mA$		1.1	2.1	$\Omega$
GATEN Passive Pulldown Resistance	$R_{GATEN\_P}$	$V_{EN/UVLO} = 0V$		400	800	$\Omega$
GATEN-DCIN Threshold	$V_{GATEN\_OK}$		3.20	3.55	3.90	V
GATEN OK Delay	$t_{GATEN\_OK}$			15		ms
External nMOSFET Reverse-Blocking Threshold	$V_{REV}$	$(V_{DCIN} - V_{IN})$ falling	-111	-93	-75	mV
		Hysteresis		20		
External nMOSFET Reverse-Blocking Response Time		$C_{GATEN-DCIN} = 10nF$ , $V_{DCIN} < (V_{IN} - 93mV)$ to $(V_{GATEN} - V_{DCIN}) < 2V$		100	180	ns
$V_{IN}$ to DCIN Reverse Leakage Current		$V_{DCIN} = 0V$ , $V_{IN} = 60V$	$V_{EN/UVLO} = 0V$	170	260	$\mu A$
				230	350	
<b>CHARGER FUNCTIONS</b>						
Constant-Voltage (CV) Mode FB Threshold	$V_{FB\_CV}$	$V_{ILIM} = 1.5V$ , $V_{FB}$ rising	97.15	97.50	97.85	% of $V_{FB\_REG}$
		Hysteresis		0.3		

**Electrical Characteristics (continued)**

( $V_{IN} = V_{DCIN} = 24V$ ,  $C_{VIN} = 4.7\mu F$ ,  $C_{DCIN} = 100nF$ ,  $C_{VCC} = 4.7\mu F$ ,  $C_{VREF} = 100nF$ ,  $C_{BST} = 470nF$ , ( $V_{BST}$  to  $V_{LX}$ ) = 5V,  $V_{EN/UVLO} = V_{LX} = V_{ILIM} = V_{CSN} = V_{CSP} = V_{DDTH} = V_{TMR} = 2.5V$ ,  $V_{TEMP} = V_{FB} = 1.1V$ ,  $V_{EXTVCC} = V_{SGND/EP} = V_{PGND} = 0V$ ,  $RT/SYNC = DH = DL = GATEN = COMP = FLG1 = FLG2 = ISMON = \text{Unconnected}$ ,  $T_A = -40^\circ C$  to  $+125^\circ C$ , unless otherwise noted. Typical values are at  $T_A = +25^\circ C$ . All voltages are referenced to  $SGND/EP$ , unless otherwise noted.) (Note 2)

PARAMETER	SYMBOL	CONDITIONS		MIN	TYP	MAX	UNITS
FB Recharge-Voltage Threshold	$V_{RECHG}$	$V_{FB}$ falling		94.5	95	95.5	% of $V_{FB\_REG}$
		Hysteresis			0.56		
Deep-Discharge Comparator Threshold (DDTH)	$V_{DDREF}$	$V_{DDTH}$ rising		1.245	1.260	1.275	V
		$V_{DDTH}$ falling		1.235	1.250	1.265	
Precharge State CSP-to-CSN Regulation Voltage Accuracy	$V_{CSPCHG}$	$V_{DDTH} = 1.1V$	$V_{ILIM} = 1.5V$	2.5	5	7.5	mV
			$V_{ILIM} = 0.9V$	0.5	3	5.5	
Taper Current Threshold	$I_{TCHG}$	Current falling (see Note 3)		4.8	10	16.8	% of $I_{CHGMAX}$
ISMON Output-Voltage Accuracy		$(V_{CSP} - V_{CSN}) = 50mV$		1.41	1.50	1.59	V
		$(V_{CSP} - V_{CSN}) = 30mV$		0.825	0.900	0.975	
ISMON Output Resistance					90		k $\Omega$
ISMON Output Bandwidth					100		kHz
<b>CHARGER TIMER (TMR)</b>							
Charger Startup Delay	$t_{CH\_START}$	$C_{TMR} = 220nF$			55		ms
		TMR disabled			54		
TMR-Oscillator Upper Threshold	$V_{TMR\_H}$			1.47	1.50	1.53	V
TMR-Oscillator Lower Threshold	$V_{TMR\_L}$			0.94	0.96	0.98	V
TMR Source/Sink Current	$I_{TMR}$			8.9	10	10.9	$\mu A$
TMR Disable Threshold	$V_{TMR\_DIS}$	$V_{TMR} > V_{TMR\_DIS}$ (power-up check only)		1.9	2.0	2.1	V
TMR Short-to-SGND/EP Fault Threshold	$V_{TMR\_GND}$	$V_{TMR} < V_{TMR\_GND}$ (power-up check only)		80	100	120	mV
Safety Timer Timeout	$t_{FCHG}$				1048575		TMR CYCLES
Precharge Timer Timeout	$t_{PCHG}$				131071		TMR CYCLES
Taper-Timer Timeout	$t_{TOP}$				104857		TMR CYCLES
<b>BATTERY TEMPERATURE SENSE (TEMP)</b>							
TEMP Upper Threshold	$V_{TEMPU}$	Battery temperature falling		59.4	60	60.6	% of $V_{REF}$
		Hysteresis			1		
TEMP Lower Threshold	$V_{TEMPL}$	Battery temperature rising		39.4	40	40.6	% of $V_{REF}$
		Hysteresis			1.2		

**Electrical Characteristics (continued)**

( $V_{IN} = V_{DCIN} = 24V$ ,  $C_{VIN} = 4.7\mu F$ ,  $C_{DCIN} = 100nF$ ,  $C_{VCC} = 4.7\mu F$ ,  $C_{VREF} = 100nF$ ,  $C_{BST} = 470nF$ , ( $V_{BST}$  to  $V_{LX}$ ) = 5V,  $V_{EN/UVLO} = V_{LX} = V_{ILIM} = V_{CSN} = V_{CSP} = V_{DDTH} = V_{TMR} = 2.5V$ ,  $V_{TEMP} = V_{FB} = 1.1V$ ,  $V_{EXTVCC} = V_{SGND/EP} = V_{PGND} = 0V$ ,  $RT/SYNC = DH = DL = GATEN = COMP = FLG1 = FLG2 = ISMON = \text{Unconnected}$ ,  $T_A = -40^\circ C$  to  $+125^\circ C$ , unless otherwise noted. Typical values are at  $T_A = +25^\circ C$ . All voltages are referenced to  $SGND/EP$ , unless otherwise noted.) (Note 2)

PARAMETER	SYMBOL	CONDITIONS	MIN	TYP	MAX	UNITS
<b>CHARGER STATUS OUTPUTS (FLG1, FLG2)</b>						
FLG1/FLG2 Pulldown Voltage		$I_{FLG1}, I_{FLG2} = 10mA$			500	mV
FLG1/FLG2 Leakage Current		$V_{FLG1}, V_{FLG2} = 5.5V, T_A = +25^\circ C$	-100		+100	nA
<b>IC THERMAL PROTECTION</b>						
Thermal Shutdown Threshold		Temperature rising		160		$^\circ C$
Thermal Shutdown Hysteresis				10		$^\circ C$

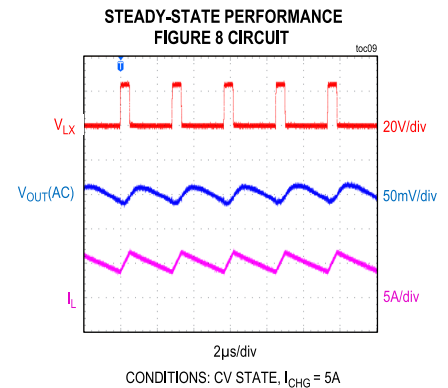
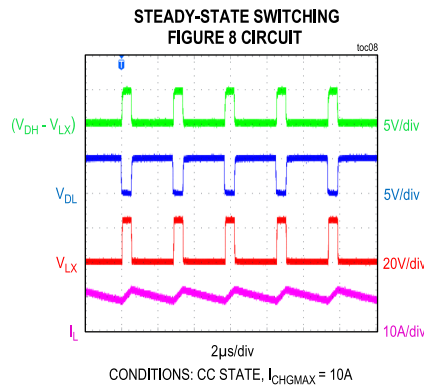
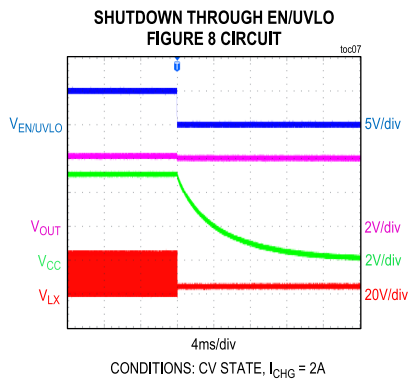
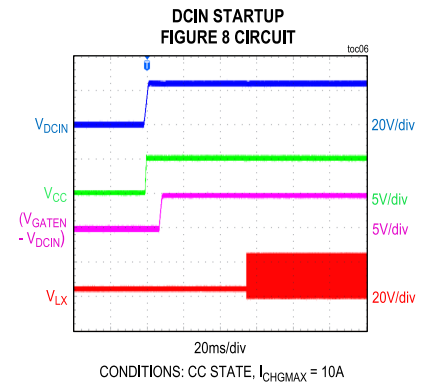
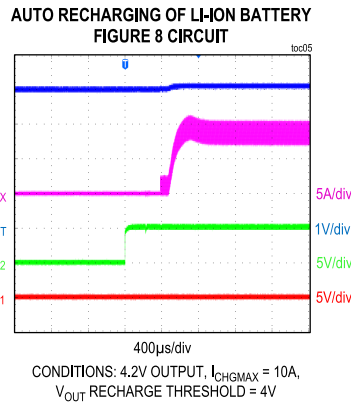
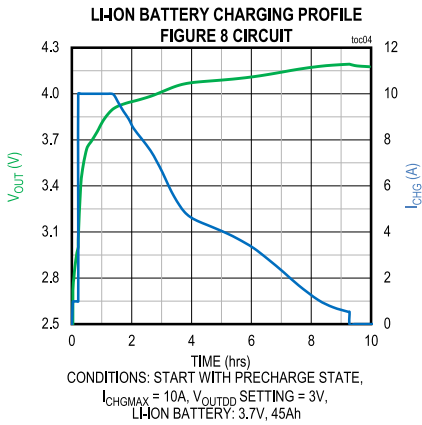
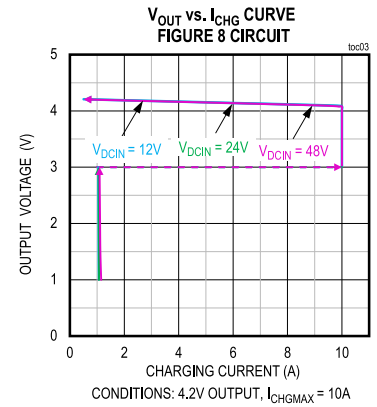
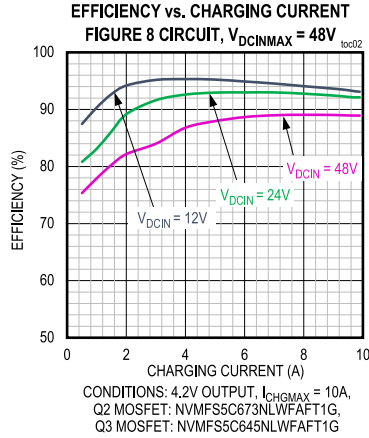
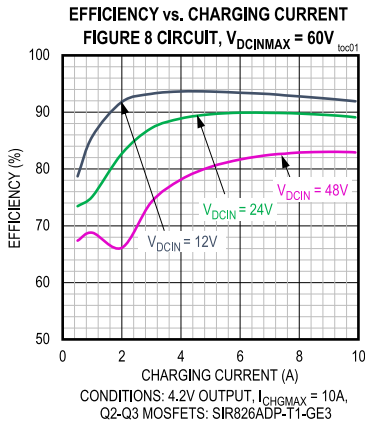
**Note 2:** Electrical specifications are production tested at  $T_A = +25^\circ C$ . Specifications over the entire operating temperature range are guaranteed by design and characterization.

**Note 3:** CC mode charging current setting is calculated using the following equation

$$I_{CHGMAX} = \frac{V_{CSREG}}{R_S}, \text{ where } R_S \text{ is the current-sense resistor.}$$

Typical Operating Characteristics

( $V_{DCIN} = 24V$ ,  $V_{SGND/EP} = V_{PGND} = 0V$ ,  $RT/SYNC =$  unconnected ( $f_{SW} = 350kHz$ ),  $T_A = +25^{\circ}C$ , unless otherwise noted. All voltages are referenced to  $SGND/EP$ , unless otherwise noted.)

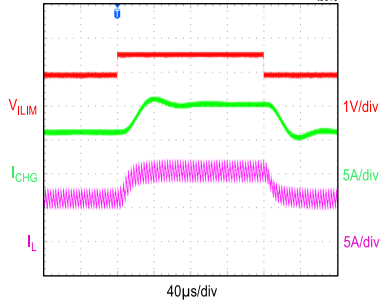




Typical Operating Characteristics (continued)

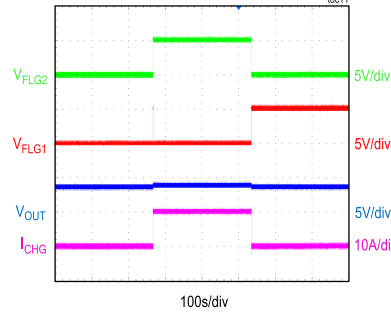
( $V_{DCIN} = 24V$ ,  $V_{SGND/EP} = V_{PGND} = 0V$ ,  $RT/SYNC = \text{unconnected}$  ( $f_{SW} = 350kHz$ ),  $T_A = +25^\circ C$ , unless otherwise noted. All voltages are referenced to  $SGND/EP$ , unless otherwise noted.)

ILIM TRANSIENT PERFORMANCE  
 $V_{ILIM}$  IS VARIED BETWEEN 0.9V AND 1.5V  
FIGURE 8 CIRCUIT



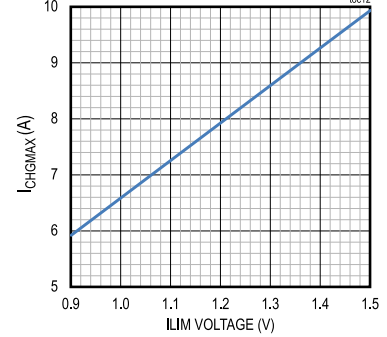
CONDITIONS: CC STATE

SAFETY TIMER FAULT  
FIGURE 8 CIRCUIT



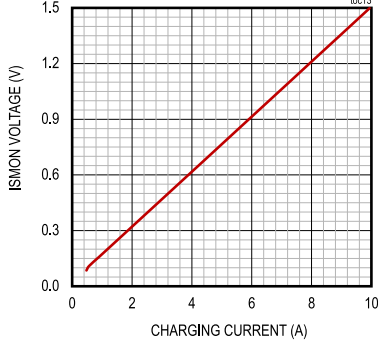
CONDITIONS: CC STATE,  $C13 = 2.2nF$  (TMR CAPACITOR)

$I_{CHGMAX}$  vs.  $ILIM$  VOLTAGE  
FIGURE 8 CIRCUIT

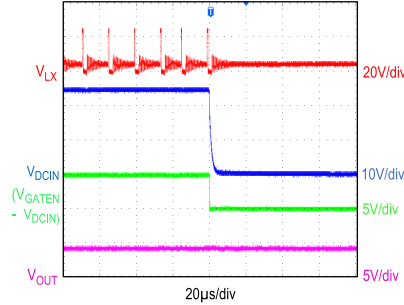


CONDITIONS: CC STATE

ISMON VOLTAGE vs. CHARGING CURRENT  
FIGURE 8 CIRCUIT

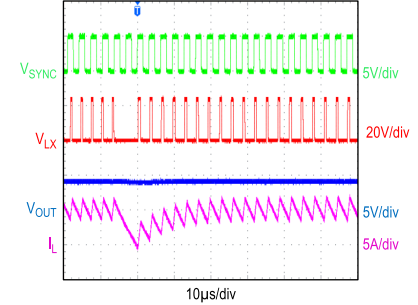


INPUT (DCIN) SHORT PROTECTION  
FIGURE 8 CIRCUIT



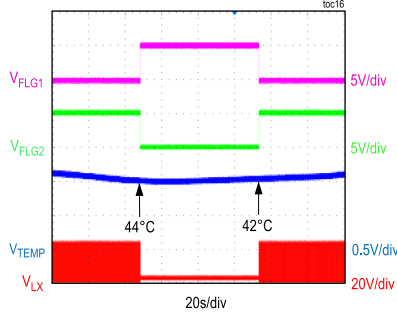
CONDITIONS: 4.2V OUTPUT, TOPUP-CHARGE STATE

EXTERNAL CLOCK SYNCHRONIZATION  
AFTER 112 CYCLES OF  $f_{SW}$   
FIGURE 8 CIRCUIT



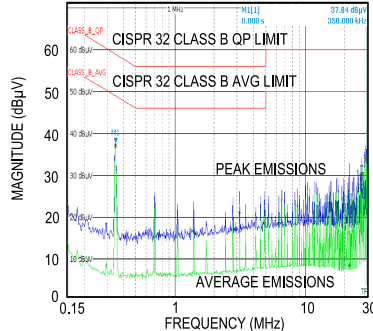
CONDITIONS: 4.2V OUTPUT, CV STATE,  $I_{CHG} = 5A$ ,  $I_{CHGMAX} = 10A$ ,  $f_{SW} = 350kHz$ ,  $f_{SYNC} = 315kHz$

TEMP CHARGING DISABLE AND ENABLE  
FIGURE 8 CIRCUIT



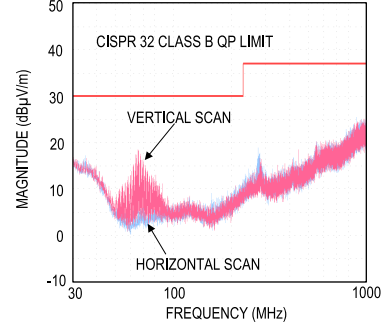
CONDITIONS: CC STATE

4.2V OUTPUT, 10A CHARGING CURRENT  
CONDUCTED EMI CURVE



CONDITIONS: MEASURED ON THE MAX17703EVKITA# WITH  $L2 = 15\mu H$ ,  $C1 = C5 = C6 = C9 = 4.7\mu F/100V/X7R/1206$

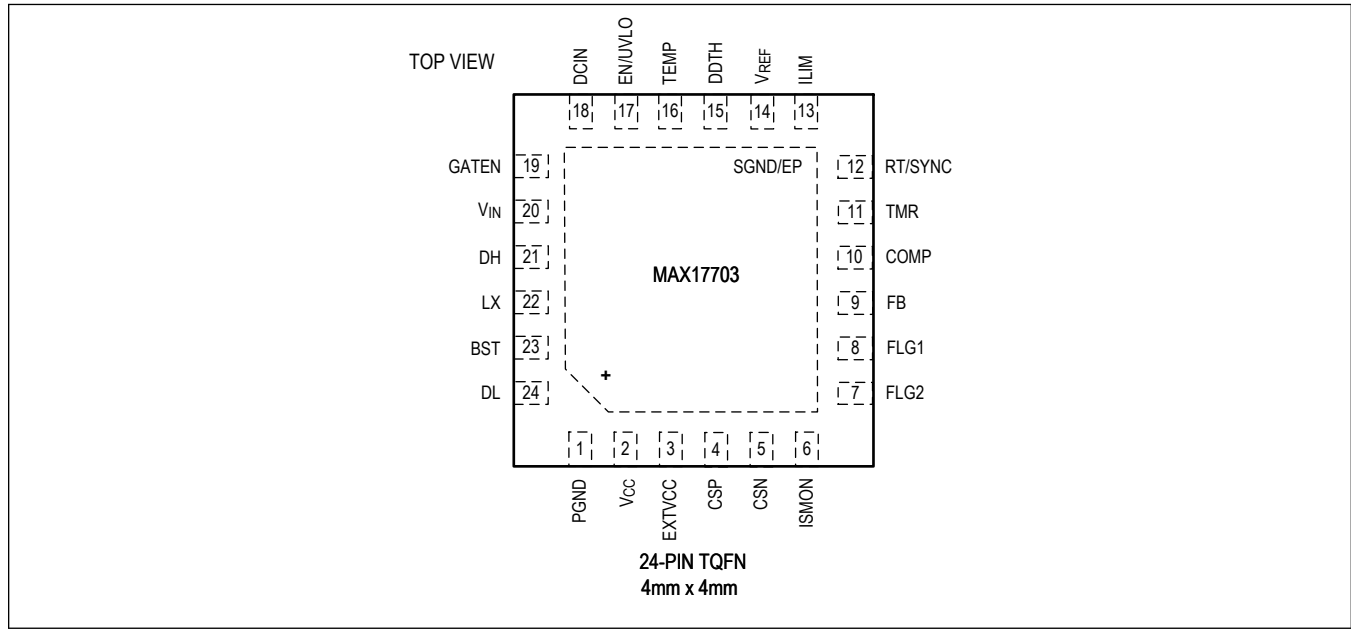
4.2V OUTPUT, 10A CHARGING CURRENT  
RADIATED EMI CURVE



CONDITIONS: MEASURED ON THE MAX17703EVKITA#

## Pin Configuration

### MAX17703



## Pin Description

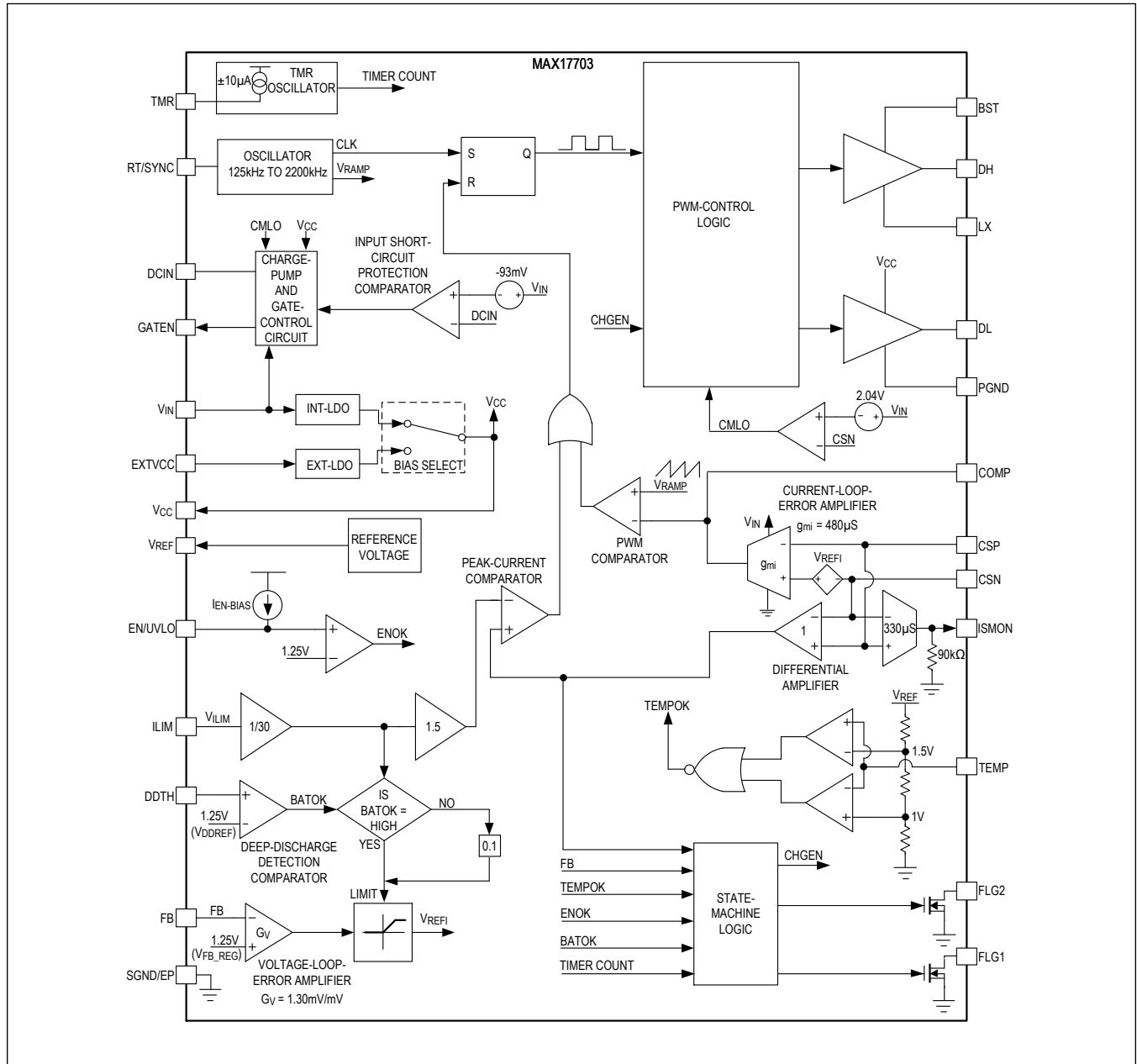
PIN	NAME	FUNCTION
1	PGND	Power Ground. Connect to the return terminal of a $V_{CC}$ bypass capacitor placed close to the IC and the source terminal of external low-side nMOSFET. Refer to the MAX17703 evaluation kit data sheet for the PCB layout example.
2	$V_{CC}$	Internal LDO Output. Connect a minimum of 4.7 $\mu$ F/0805, low-ESR ceramic capacitor between $V_{CC}$ and PGND. $V_{CC}$ supports IC internal-control circuitry and gate-drive current for external nMOSFETs.
3	EXTVCC	External Power-Supply Input for EXT-LDO. To power internal circuitry from an external supply, apply a voltage between 4.8V and 24V to the EXTVCC pin. Connect a minimum of 1 $\mu$ F/0603, low-ESR ceramic capacitor between EXTVCC and SGND/EP. Leave EXTVCC open when not used.
4	CSP	Inverting Input of the Current Loop Error Amplifier. The CSP and CSN pins measure the voltage across the current sense resistor $R_S$ (see <a href="#">Figure 5</a> ).
5	CSN	Non-Inverting Input of the Current-Loop-Error Amplifier. Connect CSN to the node connecting the output capacitor and current sense resistor $R_S$ . Use Kelvin connections and route the CSP and CSN traces as a differential pair (see <a href="#">Figure 5</a> ).
6	ISMON	Output of Charging Current Monitor. Bypass ISMON with a 1nF low-ESR ceramic capacitor to SGND/EP. The voltage on this pin is 30 times the voltage drop across the current-sense resistor ( $R_S$ ).
7, 8	FLG2, FLG1	Open Drain Status Output Pins. Connect one 10k $\Omega$ pullup resistor each from $V_{CC}$ to FLG1 and FLG2. See the <a href="#">Charger Status Outputs (FLG1, FLG2)</a> section for more details.
9	FB	Feedback Input. Connect FB to the center node of a resistor-divider from the positive terminal of the battery to SGND/EP to set the output voltage. See the <a href="#">Setting Output Voltage and Voltage Regulation Loop (FB)</a> section for more details.
10	COMP	Current Loop Error Amplifier Output. Connect a compensation network at this pin to stabilize the inner current loop. See the <a href="#">Current Regulation Loop Compensation (COMP)</a> section for more details.

## Pin Description (continued)

PIN	NAME	FUNCTION
11	TMR	Battery Safety Timer Setting Pin. A capacitor from TMR to SGND/EP sets the charging time in precharge, CC, CV, topup-charge states. Place the timer capacitor close to the TMR pin. Connect TMR to V <sub>REF</sub> to disable the timer function. See the <a href="#">Charger Timers (TMR)</a> section for more details.
12	RT/SYNC	Switching Frequency Programming/Synchronization Input. Connect a resistor from RT/SYNC to SGND/EP to set the switching frequency between 125kHz to 2.2MHz. Leave RT/SYNC open for the default 350kHz frequency. See the <a href="#">Setting the Switching Frequency and External Clock Synchronization (RT/SYNC)</a> section for more details.
13	ILIM	CC Mode Charging Current Programming Input. Connect ILIM to the center node of a resistor divider between V <sub>REF</sub> and SGND/EP to set the CC mode charging current. Connect to V <sub>REF</sub> for the default CC mode charging current. See the <a href="#">CC Mode Charging Current Setting (ILIM)</a> section for more details.
14	V <sub>REF</sub>	2.5V Reference Output. Bypass V <sub>REF</sub> with a 0.1μF low-ESR ceramic capacitor to SGND/EP. See the <a href="#">Reference Voltage (V<sub>REF</sub>)</a> section for more details.
15	DDTH	Battery Deep-Discharge Detection Input. Connect DDTH to the center node of a resistor divider from the output-voltage node to SGND/EP. If V <sub>DDTH</sub> falls below V <sub>DDREF</sub> , the charger enters the precharge state for battery preconditioning. See the <a href="#">Setting the Deep Discharge Voltage Level (DDTH)</a> and <a href="#">Power-Up/Down Sequence and Charger Operation</a> sections for more details.
16	TEMP	Battery Temperature Input. Connect TEMP to the center node of a resistor divider from V <sub>REF</sub> to SGND/EP. Connect the battery temperature sensing NTC resistor terminals across the bottom resistor of the divider to program the battery charging temperature window. See the <a href="#">Setting Battery Operating Temperature Range (TEMP)</a> section for more details.
17	EN/UVLO	Enable/Undervoltage-Lockout Input. Connect to the center node of a resistor divider between DCIN and SGND/EP to set the input voltage at which the device turns on. Connect to SGND/EP to shutdown the device. See the <a href="#">Setting the Input Undervoltage-Lockout Level (EN/UVLO)</a> section for more details.
18	DCIN	Input-Supply-Voltage Sense Pin. Bypass DCIN with a 0.1μF ceramic capacitor to PGND. The DCIN and V <sub>IN</sub> pins measure the voltage across external nMOSFET. Use Kelvin connections and route the V <sub>IN</sub> and DCIN traces as differential pair. Refer to the MAX17703 EV kit data sheet for the recommended PCB layout and routing. If input short-circuit protection feature is not used, connect DCIN to V <sub>IN</sub> close to IC.
19	GATEN	Gate Drive Output for External nMOSFET. Bypass GATEN with a 2.2nF low-ESR ceramic capacitor to DCIN. GATEN controls the gate of an external nMOSFET connected between DCIN and V <sub>IN</sub> to prevent battery discharge when DCIN is shorted to PGND. See the <a href="#">Input Short Circuit Protection (GATEN)</a> section for more details.
20	V <sub>IN</sub>	MAX17703 IC-Supply Pin. Bypass V <sub>IN</sub> to PGND with a 0.1μF ceramic capacitor. Refer to the MAX17703 EV kit data sheet for the recommended PCB layout and routing.
21	DH	High-Side nMOSFET Gate Driver Output. Connect to the gate of the high-side nMOSFET.
22	LX	Switching Node Connection Input. Connect to the switching node of the converter.
23	BST	Bootstrap Capacitor Connection Input. Connect a capacitor of 0.1μF (min) between the BST and LX pins. Connect a Schottky diode from the V <sub>CC</sub> to the BST pin. See the <a href="#">Bootstrap Capacitor Selection</a> and <a href="#">Bootstrap Diode Selection</a> sections for more details.
24	DL	Low-Side nMOSFET Gate Driver Output. Connect to the gate of the low-side nMOSFET.
—	SGND/EP	Signal Ground, Exposed Pad. Refer to the MAX17703 EV kit data sheet for the recommended method of PCB layout, routing, and thermal vias.

Functional Diagrams

MAX17703



## Detailed Description

The MAX17703 is a 4.5V to 60V wide input, synchronous, step-down Li-ion battery-charger controller designed to operate over a  $-40^{\circ}\text{C}$  to  $+125^{\circ}\text{C}$  temperature range. It offers a complete battery charge cycle solution for Li-ion batteries including Li-Polymer,  $\text{LiFePO}_4$ , and Li-Titanate. Charging begins in one of the three states, namely, precharge, constant current (CC), and constant voltage (CV) depending on the battery voltage. The charger enters a topup-charge state when the charging current reduces to the taper-current threshold. Charging is terminated in the topup-charge state, when the taper-timer period elapses. The MAX17703 initiates a recharge cycle when output voltage falls below the recharge threshold voltage. The device provides input short-circuit protection, and prevents battery discharging for input supply-side short-circuit events by means of an external nMOSFET. The MAX17703 offers up to  $\pm 4\%$  accurate constant charging current in CC mode and regulates the no-load output voltage with  $\pm 1\%$  accuracy. The MAX17703 supports a wide adjustable output-voltage range of 1.25V to  $(V_{\text{DCIN}} - 2.1\text{V})$ .

The MAX17703 features a constant frequency, average current-mode control architecture shown in [Figure 1](#). An internal current loop consists of a transconductance amplifier ( $g_{\text{mi}}$ ) that senses the inductor current flowing through current-sense resistor ( $R_{\text{S}}$ ) as a voltage drop across the CSP and CSN pins. The current-sense voltage is compared with a current-loop reference voltage ( $V_{\text{REFI}}$ ), which is set by the outer-voltage loop-error amplifier ( $G_{\text{V}}$ ) and limited by the voltage programmed at the ILIM pin ( $V_{\text{ILIM}}$ ). The voltage at the COMP pin is compared with a 1.44V (typ) ramp using a PWM comparator to set the duty cycle of the converter. The required compensation to stabilize the current loop is applied at the COMP pin using  $R_{\text{Z}}$ ,  $C_{\text{Z}}$ , and  $C_{\text{P}}$ . Under steady-state conditions, the inner current loop forces the voltage drop across  $R_{\text{S}}$  equal to  $V_{\text{REFI}}$ .

The output voltage is monitored by the voltage error amplifier  $G_{\text{V}}$  with a resistor divider ( $R_{\text{TOP}}$  and  $R_{\text{BOT}}$ ) connected across the positive and negative battery terminals with the center node connected to the FB pin. The voltage at the FB pin is compared with the FB reference voltage ( $V_{\text{FB\_REG}}$ ). The voltage-loop-error amplifier sets the current-loop reference voltage ( $V_{\text{REFI}}$ ).  $V_{\text{REFI}}$  is limited to  $\frac{V_{\text{ILIM}}}{30}$  until  $V_{\text{FB}} \leq \left[ V_{\text{FB\_REG}} - \frac{V_{\text{ILIM}}}{30 \times G_{\text{V}}} \right]$ . This results in constant current through  $R_{\text{S}}$ . When the output voltage rises such that,  $V_{\text{FB}} > \left[ V_{\text{FB\_REG}} - \frac{V_{\text{ILIM}}}{30 \times G_{\text{V}}} \right]$ ,  $V_{\text{REFI}}$ ; hence, the charging current ( $I_{\text{CHG}}$ ) proportionately reduces. The charging current for a given output voltage ( $V_{\text{OUT\_SS}}$ ) is given by the following equation:

$$I_{\text{CHG}} = \left( V_{\text{FB\_REG}} - V_{\text{OUT\_SS}} \times \left( \frac{R_{\text{BOT}}}{R_{\text{TOP}} + R_{\text{BOT}}} \right) \right) \times \frac{G_{\text{V}}}{R_{\text{S}}}$$

where,

$V_{\text{FB\_REG}}$  = FB reference voltage

$V_{\text{OUT\_SS}}$  = Output voltage

$I_{\text{CHG}}$  = Charging current of the charger for a given output voltage

$R_{\text{TOP}}$  and  $R_{\text{BOT}}$  = Output voltage feedback divider resistors

$G_{\text{V}}$  = Voltage loop error amplifier gain (1.30mV/mV)

Deeply discharged batteries can be detected by using the deep-discharge detection comparator with a resistor divider ( $R_{\text{DDT}}$  and  $R_{\text{DDB}}$ ) connected across the positive and negative battery terminals with the center node connected to the DDTH pin. When  $V_{\text{DDTH}} < 1.25\text{V}$  ( $V_{\text{DDREF}}$ ), the battery is considered to be deeply discharged and the charger enters a precharge state to revive the deeply discharged battery. In precharge state,  $V_{\text{REFI}}$  is limited to  $\frac{V_{\text{ILIM}}}{300}$  to limit the charging current to 10% of the CC mode charging current. A safety timer (TMR) sets the maximum allowed charging time in precharge, CC, and CV states to improve system safety.

A NTC sense resistor can be used with MAX17703 to sense battery temperature (TEMP) and charge only within the allowed battery temperature range. The switching frequency of the device can be programmed from 125kHz to 2.2MHz using a resistor at the RT/SYNC pin. RT/SYNC also provides an external clock synchronization feature. Input undervoltage lockout is implemented using the EN/UVLO pin. Two open-drain status outputs (FLG1 and FLG2) indicate

the battery charger status. And, the charging current can be monitored using the ISMON pin.

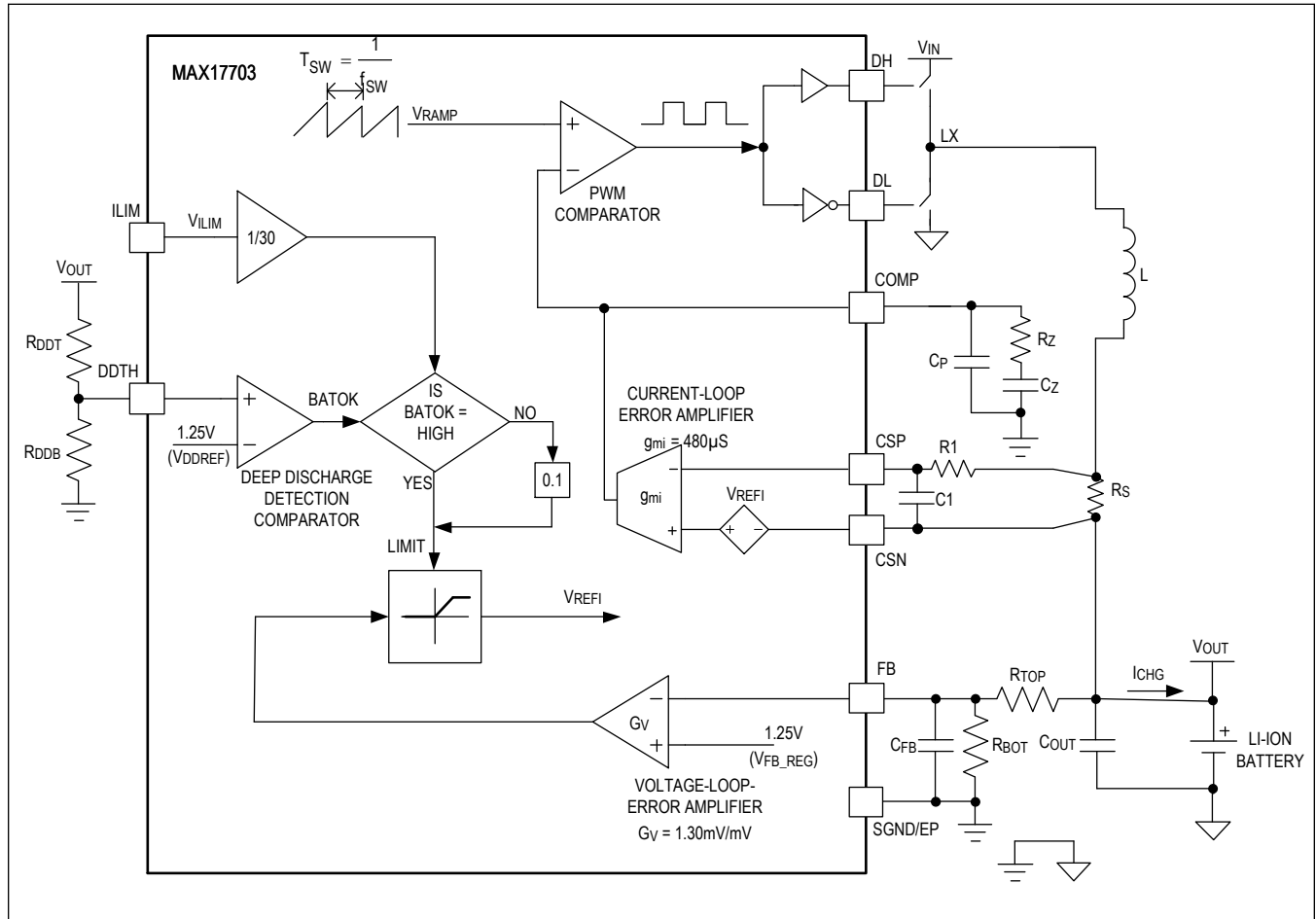


Figure 1. Average Current-Mode Control Loop

## Power-Up/Down Sequence and Charger Operation

Figure 2 shows both the MAX17703 power-up/down sequence when the DCIN voltage is applied/removed, and a Li-ion battery charge cycle. Figure 3 shows the Charger-State diagram of the IC. MAX17703 offers precharge, constant-current (CC), constant-voltage (CV), and topup-charge states for charging Li-ion batteries.

When the DCIN voltage reaches a level such that  $V_{EN}/UVLO$  is around 0.7V ( $V_{ENT}$ ), the INT-LDO regulator is enabled and  $V_{CC}$  rises. When  $V_{CC}$  rises above 4.2V ( $V_{CC-UVR}$ ) and  $V_{EN}/UVLO$  rises above 1.25V ( $V_{EN\_TH\_R}$ ), the MAX17703 enters a powerup-check state from the charger-off state, initiates EN/UVLO debounce, and checks for hardware faults. If there are no hardware faults detected at power-up (see the [Charger Status Outputs \(FLG1, FLG2\)](#) section), the MAX17703 enables internal blocks during the charger startup delay time ( $t_{CH\_START}$ ).

After the  $t_{CH\_START}$  delay, the charger enters a full-battery state from the powerup-check state if  $V_{FB} > 1.19V$  ( $V_{RECHG}$ ). The charger initiates LX switching, enters a precharge state from the powerup-check state if  $V_{DDTH} < 1.25V$  ( $V_{DDREF}$ ). The charger enters CC state from the powerup check state if  $V_{DDTH} \geq 1.25V$  ( $V_{DDREF}$ ).

In the precharge state, the charging current reference ( $V_{CSPCHG}/R_S$ ) is set to 10% of the CC mode charging current ( $I_{CHGMAX}$ ) to precondition the battery and revive it from deep discharge. The safety timer counts the charging time in the precharge state and if the output voltage rises above the deep discharge threshold ( $V_{DDTH} > 1.26V$  ( $V_{DDREF}$ )) within

the precharge-timer timeout ( $t_{PCHG}$ ), the charger exits the precharge state, resets the safety timer counter, and enters CC state. If the safety timer expires in the precharge state ( $t_{TC} > t_{PCHG}$ ), the charger enters a latched-fault state.

If the timer function is disabled, the charger continues to charge in the precharge state until the output voltage rises above deep discharge rising threshold ( $V_{DDTH} > 1.26V (V_{DDREF})$ ) beyond which the charger enters a CC state.

In the CC state, the safety timer counts the charging time, and the charging current ( $I_{CHG}$ ) is regulated at the CC mode charging current ( $I_{CHGMAX}$ ) proportional to  $V_{ILIM}$  until the output voltage reaches the CV mode threshold ( $V_{FB} > 1.219V (V_{FB\_CV})$ ). When  $V_{FB} > 1.219V (V_{FB\_CV})$ , the charger exits the CC state and enters a CV state without resetting the safety timer counter. If the safety timer expires in the CC state ( $t_{TC} > t_{FCHG}$ ), the charger enters a latched-fault state.

If the timer function is disabled, the charger continues to charge the battery in the CC state until the output voltage reaches the CV mode threshold ( $V_{FB} > 1.219V (V_{FB\_CV})$ ) beyond which the charge enters the CV state.

In the CV state, the charging current is a function of the output voltage. The safety timer continues to count charging time in the CV state. If the charging current ( $I_{CHG}$ ) tapers naturally down to the taper current threshold ( $I_{TCHG}$ ) within the safety timer timeout ( $t_{TC} < t_{FCHG}$ ), the timer resets, and the charger exits the CV state and enters a topup-charge state. If the safety timer expires in the CV state ( $t_{TC} > t_{FCHG}$ ), the charger enters the latched-fault state.

If the timer function is disabled, the charger continues to charge the battery in CV state until the  $I_{CHG} < I_{TCHG}$  is detected. The charger skips the topup-charge state and enters a full-battery state upon detecting  $I_{CHG} < I_{TCHG}$  in a CV state.

In the topup-charge state, the charging current is again a function of the output voltage. The safety timer starts counting the charging time in the topup-charge state. The charger exits the topup-charge state and enters a full-battery state when the safety timer in the topup-charge state ( $t_{TC} > t_{TOP}$ ) elapses.

In the full-battery state, the timer stops counting and resets, and the charging is suspended until the  $V_{FB} < 1.19V (V_{RECHG})$ . When  $V_{FB} < 1.19V (V_{RECHG})$ , the charger exits the full-battery state, enters CC state, and restarts charging.

In any of the charging states (precharge, CC, CV and topup-charge), if battery operating temperature is detected out of the set range (TEMP Fault condition), the charger enters the respective suspend state (precharge suspend, CC suspend, CV suspend, and topup suspend) and pauses the timer. Upon entering back to an allowed operating temperature range (Exit TEMP Fault condition), the timer resumes, and charging resumes back to the previous state. If the timer function is disabled, the charger enters or exits the charge suspend state based on the battery operating temperature range.

When  $V_{EN/UVLO}$  falls below  $1.09V (V_{EN\_TH\_F})$ , the MAX17703 initiates a shutdown sequence with a debounce time of 2ms (typ). If the input voltage decreases such that  $(V_{IN} - V_{CSN})$  falls below the current-loop-error amplifier undervoltage-lockout falling threshold ( $V_{CMUVLO} = 1.95V$ ), the MAX17703 initiates a shutdown sequence immediately. The converter stops switching, and GATEN is pulled down with  $1.1\Omega (R_{GATEN\_A})$  to DCIN to turn off the external nMOSFET. The COMP is pulled low after a debounce time of  $100\mu s$  (typ).

If  $V_{EN/UVLO}$  falls below  $0.64V (V_{ENT})$ , the MAX17703 initiates a shutdown sequence with a debounce time of  $10\mu s$  (typ). During this shutdown sequence, the MAX17703 pulls down the GATEN with  $1.1\Omega (R_{GATEN\_A})$  to DCIN to turn off the external nMOSFET. See the [Setting the Input Undervoltage-Lockout Level \(EN/UVLO\)](#) section for more details.

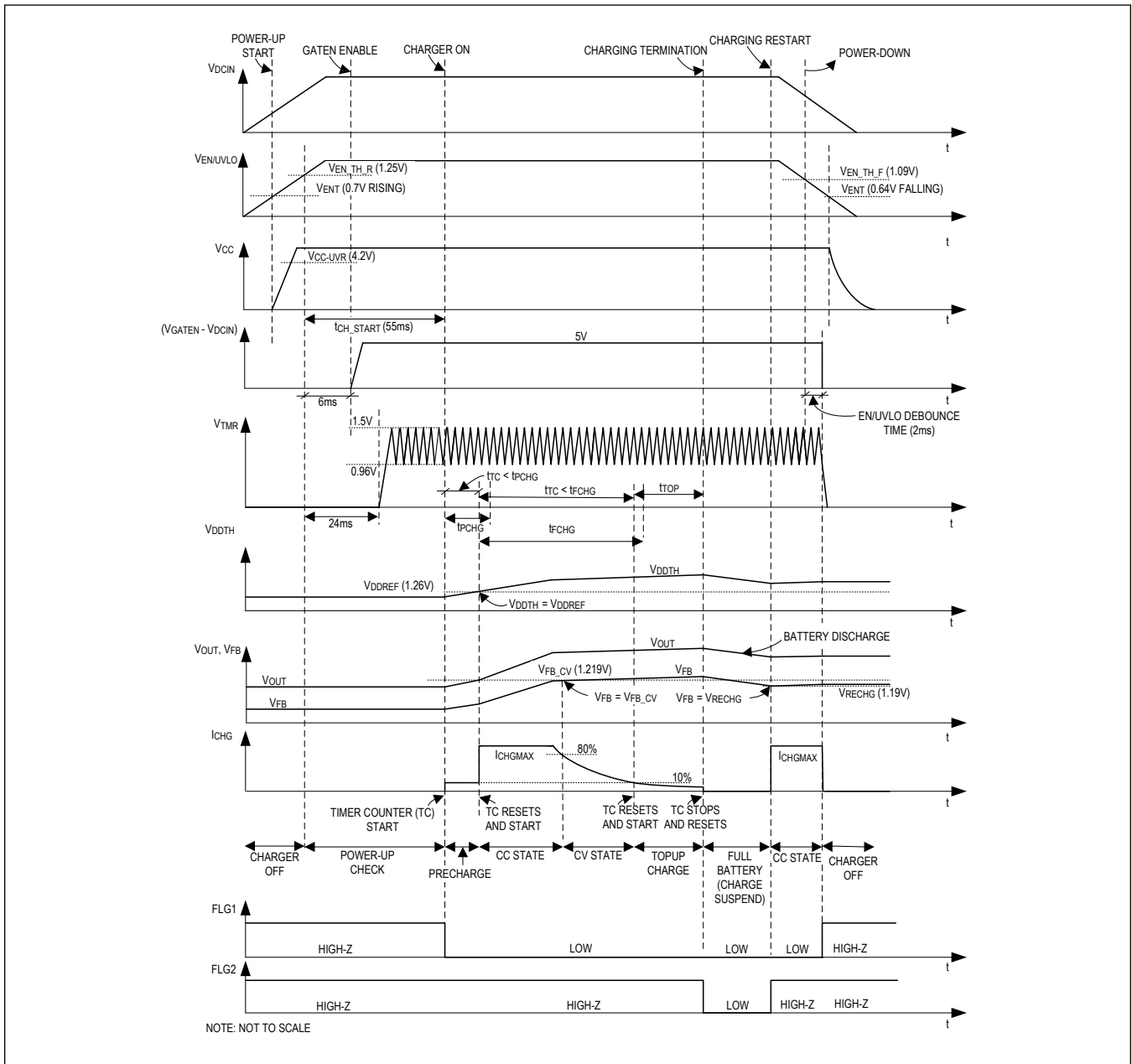


Figure 2. Charger Power-Up/Down Sequence and Li-Ion Battery Charge Cycle



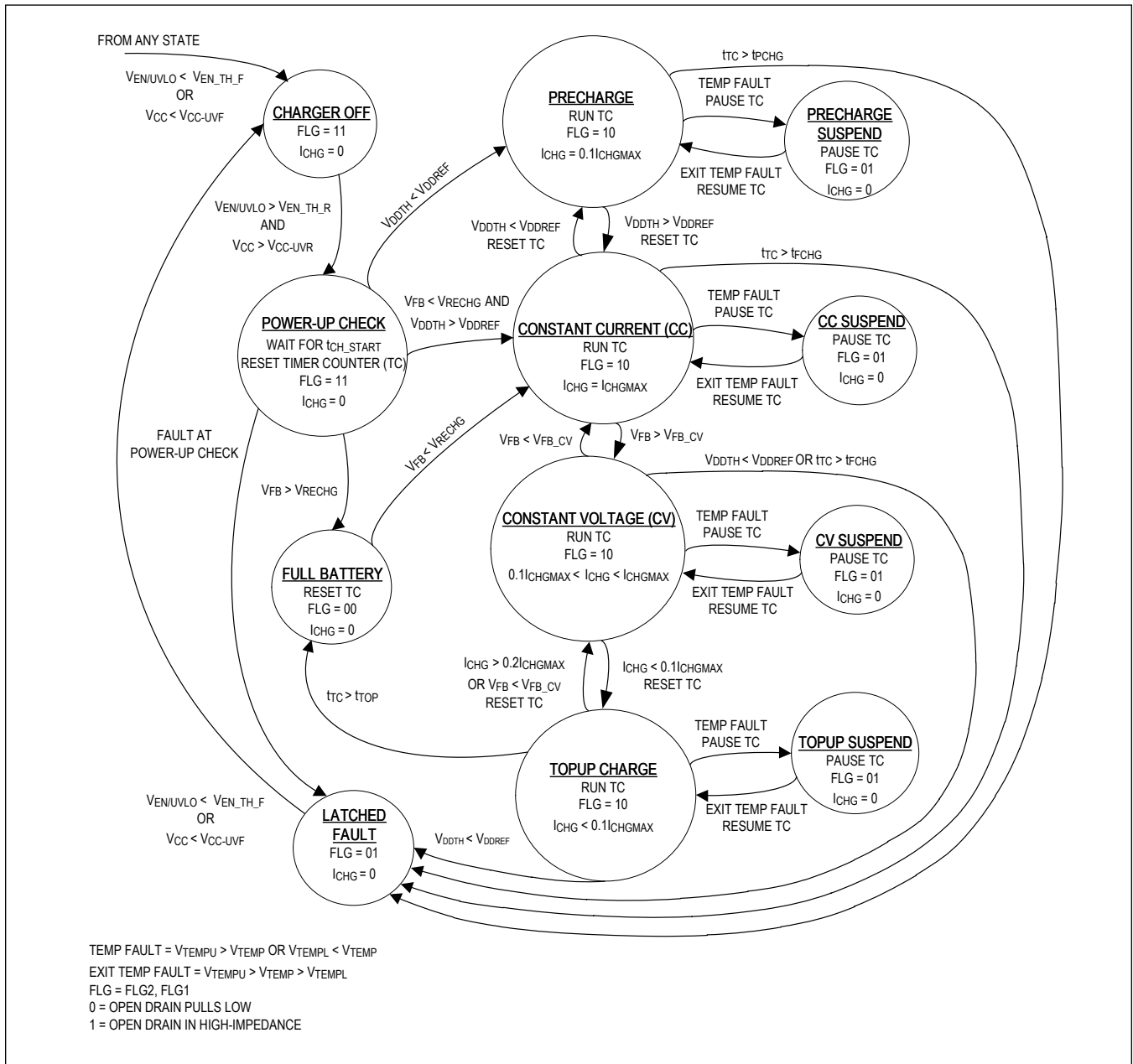


Figure 3. Charger-State Diagram

**Input Short-Circuit Protection (GATEN)**

The MAX17703 provides a gate drive output (GATEN) that drives a logic-level gate-threshold external nMOSFET, which turns off and prevents battery discharging for input supply short-circuit events. The GATEN is pulled up with 20µA (I<sub>GATEN</sub>) when V<sub>IN</sub> is 2.04V (V<sub>CMUVLO</sub>) above V<sub>CSN</sub>. If V<sub>GATEN</sub> does not reach 3.55V (V<sub>GATEN\_OK</sub>) within 15ms (t<sub>GATEN\_OK</sub>), MAX17703 enters a latched-fault state.

Figure 4 depicts the MAX17703 behavior when DC<sub>IN</sub> is shorted to PGND. When V<sub>DCIN</sub> is 93mV (V<sub>REV</sub>) below V<sub>IN</sub>,

GATEN is pulled down with  $1.1\Omega$  ( $R_{GATEN\_A}$ ) and the external nMOSFET is turned off within 100ns (typ). When  $V_{EN}/UVLO$  goes below 0.64V ( $V_{ENT}$ ), the MAX17703 shuts down with 10 $\mu$ s (typ) debounce time. When DCIN-to-PGND short is removed, a power-up sequence is initiated (see the [Power-Up/Down Sequence and Charger Operation](#) section).

Measure the differential voltage between the source and drain terminals of the input short-circuit protection external nMOSFET using a Kelvin connection. Shield DCIN,  $V_{IN}$  and GATEN signal traces using static ground plane on either side of the traces and on the adjacent layers of PCB. Place the 0.1 $\mu$ F decoupling capacitors on DCIN and VIN pins close to MAX17703. The MAX17703 EV kit depicts the recommended layout and routing of DCIN,  $V_{IN}$  and GATEN traces.

When the input short-circuit protection is not used, connect a 2.2nF capacitor between GATEN and DCIN, and short DCIN to  $V_{IN}$ .

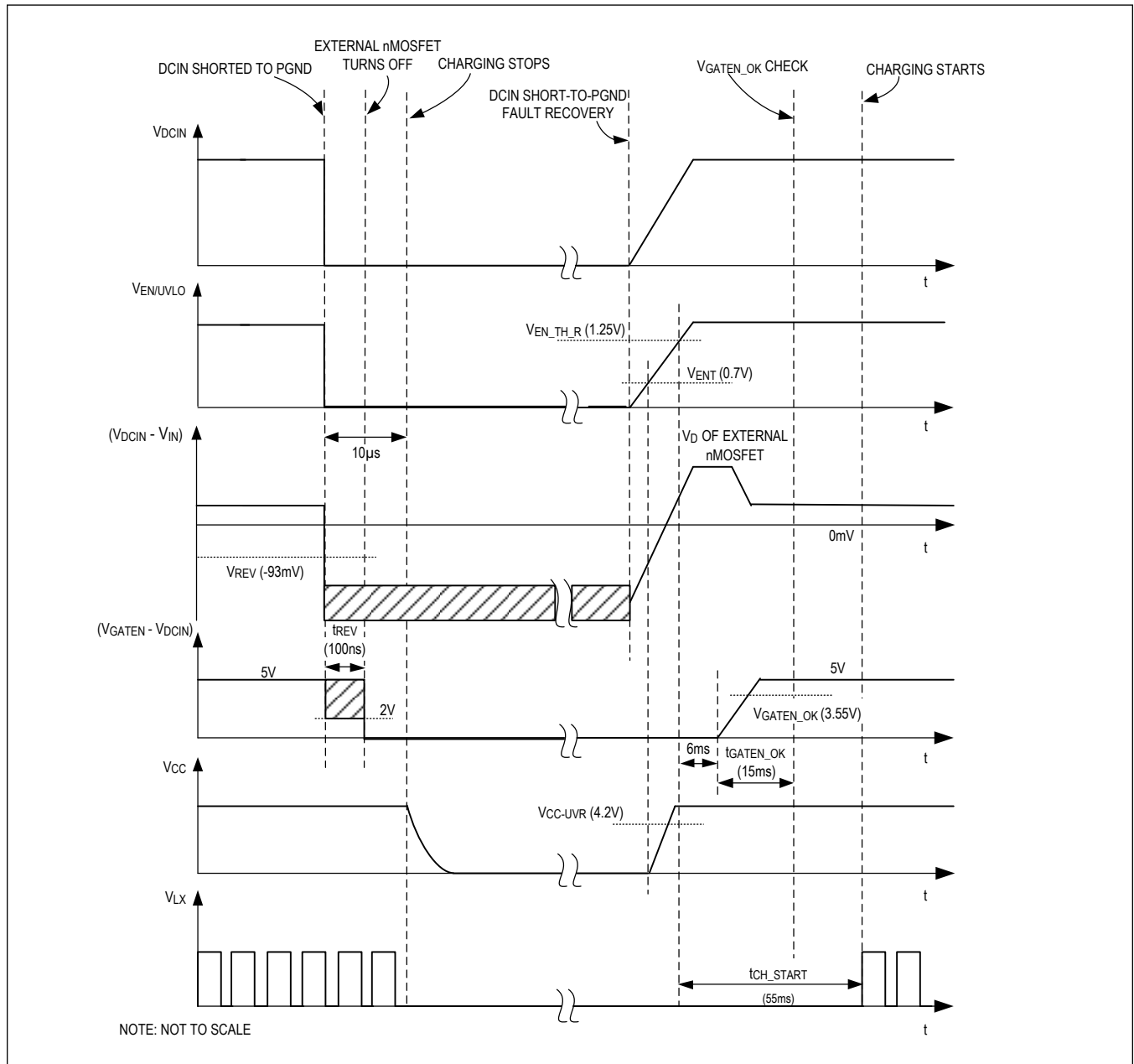


Figure 4. Input Short-Circuit Protection and Recovery Timing Diagram

**Charger Timers (TMR)**

The MAX17703 offers a programmable timer feature to provide battery charge-cycle control. Connect a capacitor from TMR to SGND/EP to use the timer feature. Connect TMR to VREF to disable the timer feature. The timer counts the charging time in precharge, CC, CV, and topup-charge states.

In the precharge state, if VDDTH does not reach 1.26V (VDDREF) within the precharge timer count (tPCHG), the charger enters a latched-fault state.

In the CC and CV states, if the safety timer count ( $t_{FCHG}$ ) elapses, the charger enters a latched-fault state.

In the topup-charge state, the charger terminates charging and enters a full-battery state, when the taper-timer count ( $t_{TOP}$ ) elapses.

[Table 1](#) shows the relative timer counts in different states.

**Table 1. Charger Timers**

STATE	TIMER COUNT
Precharge	$t_{PCHG} = t_{FCHG}/8$
CC, CV	$t_{FCHG}$
Topup Charge	$t_{TOP} = t_{FCHG}/10$

The MAX17703 supports 2.2nF to 10 $\mu$ F capacitance on the TMR pin, translating to a safety timer timeout period range of 3.6 minutes to 273 hours.

Use the following equation to calculate the  $C_{TMR}$  for the required safety timer period in CC and CV states ( $T_{FCHG}$ ):

$$C_{TMR} \geq 1.15 \times \left( \frac{T_{FCHG}}{2 \times t_{FCHG}} \right) \times \left( \frac{I_{TMR}}{V_{TMR\_H} - V_{TMR\_L}} \right)$$

where,

$T_{FCHG}$  = Desired safety timer setting in CC and CV states in seconds

$C_{TMR}$  = TMR capacitor in Farad

$t_{FCHG}$  = Number of TMR cycles in CC and CV states (1048575)

$V_{TMR\_H}$  = TMR oscillator upper threshold (1.5V)

$V_{TMR\_L}$  = TMR oscillator lower threshold (0.96V)

$I_{TMR}$  = TMR pin source/sink current (10 $\mu$ A)

### Charger Status Outputs (FLG1, FLG2)

The MAX17703 features two open drain status output pins (FLG1 and FLG2) to indicate the status of the charger. [Table 2](#) shows the status flag summary.

**Table 2. Status Output Indications**

CHARGER STATUS FLG (FLG2 and FLG1)	FLG2	FLG1	CHARGER STATE
11	Open drain in Hi-Impedance (1)	Open drain in Hi-Impedance (1)	Charger Off
10	Open drain in Hi-Impedance (1)	Open drain pulls low (0)	Charging in progress (precharge, CC, CV, or topup-charge states)
00	Open drain pulls low (0)	Open drain pulls low (0)	Full-battery state (charging complete)
01	Open drain pulls low (0)	Open drain in Hi-Impedance (1)	Latched fault or charge suspend due to high- or low-battery-temperature detection*

\*Latched-fault state includes latched hardware faults and faulty battery states. Charge suspended due to high or low battery temperature is not a latched fault. [Table 3](#) provides various fault detection features available and their behaviors in MAX17703.

**Table 3. Protection Under System Faults**

FAULT CONDITION	FAULT MONITOR STATE	FAULT BEHAVIOR
RT/SYNC to SGND/EP short	Power-Up Check	Latched Fault. Need to recycle power to restart the device.
GATEN to DCIN short		
TMR unconnected		
TMR to SGND/EP short		
V <sub>REF</sub> to SGND/EP short		
V <sub>REF</sub> < 1.95V or V <sub>REF</sub> > 3.05V	Continuous, During Normal Operation	
(V <sub>GATEN</sub> - V <sub>DCIN</sub> ) < V <sub>GATEN_OK</sub>		
V <sub>FB</sub> < 65mV (FB to SGND/EP short or R <sub>TOP</sub> open fault)	Precharge, CC, and CV States	
Faulty battery (timer count in Precharge state t <sub>TC</sub> > t <sub>PCHG</sub> , timer count in CC or CV state t <sub>TC</sub> > t <sub>FCHG</sub> )		
V <sub>DDTH</sub> < 1.25V (V <sub>DDREF</sub> )	CV and Topup- Charge States	
High- or low-battery-temperature detection (V <sub>TEMP</sub> < 1V (V <sub>TEMP_L</sub> ) or V <sub>TEMP</sub> > 1.5V (V <sub>TEMP_U</sub> ))	Precharge, CC, CV, Topup- Charge States	Suspend Charge and Pause Timer. Upon entering back to an allowed operating temperature range, the timer resumes, charging resumes back to the previous state

### Linear Regulator (V<sub>CC</sub> and EXT<sub>VCC</sub>)

The MAX17703 integrates two internal low-dropout (LDO) linear regulators INT-LDO and EXT-LDO that power V<sub>CC</sub>. V<sub>CC</sub> powers gate drivers and internal control circuitry. INT-LDO is powered from V<sub>IN</sub> and turns on when V<sub>EN/UVLO</sub> > V<sub>ENT</sub> (0.7V). EXT-LDO is powered from EXT<sub>VCC</sub>. At any time, only one of these two linear regulators operates, depending on the EXT<sub>VCC</sub> voltage. If V<sub>EXT<sub>VCC</sub></sub> > 4.7V (typ) then V<sub>CC</sub> is powered from EXT-LDO. If V<sub>EXT<sub>VCC</sub></sub> < 4.46V (typ), then V<sub>CC</sub> is powered from INT-LDO. Powering V<sub>CC</sub> from EXT<sub>VCC</sub> reduces on-chip power dissipation and increases efficiency at higher input voltages. Connect EXT<sub>VCC</sub> to V<sub>OUT</sub> for applications with V<sub>OUT</sub> ≥ 4.8V. The maximum voltage limit on EXT<sub>VCC</sub> is 24V. Bypass EXT<sub>VCC</sub> with a 1μF ceramic capacitor to SGND/EP. Leave EXT<sub>VCC</sub> open when not used. Bypass V<sub>CC</sub> to PGND with at least a 4.7μF/0805, low-ESR ceramic capacitor.

### Reference Voltage (V<sub>REF</sub>)

The MAX17703 provides a ±1.4% accurate 2.5V reference voltage on the V<sub>REF</sub> pin. V<sub>REF</sub> can be used to program V<sub>ILIM</sub> to set the CC mode charging current (I<sub>CHGMAX</sub>). V<sub>REF</sub> can also be used to program TMR and TEMP for disabling the charger timer and setting the battery operating temperature range, respectively. Connect a minimum 0.1μF low-ESR ceramic capacitor between V<sub>REF</sub> and SGND/EP. See the [CC Mode Charging Current Setting \(ILIM\)](#) and [Setting the Battery Operating Temperature Range \(TEMP\)](#) sections for more details.

### Setting the Switching Frequency and External Clock Synchronization (RT/SYNC)

The switching frequency of the device can be programmed from 125kHz to 2.2MHz by using a resistor (R<sub>RT/SYNC</sub>) connected from the RT/SYNC pin to SGND/EP. R<sub>RT/SYNC</sub> can be calculated using the following equation:

$$R_{RT/SYNC} = \frac{44830}{f_{SW}} - 1.205$$

Where R<sub>RT/SYNC</sub> is in kΩ and f<sub>SW</sub> is in kHz. Leave the RT/SYNC pin unconnected to operate the device at 350kHz (default) switching frequency.

The MAX17703 can be synchronized to an external clock coupled to the RT/SYNC pin through a 10pF ceramic capacitor. The external clock is detected after checking the rising edge for 112 cycles of the internal clock (set by RT/SYNC). If the external clock frequency is within the allowed SYNC frequency range (±10% of nominal internal clock frequency), the

device stops switching for 2 switching time periods and then restarts with an external clock. When the external clock is removed, the device stops switching for 10 switching time periods and then restarts with the internal clock.

The minimum external-clock pulse width should be greater than 100ns. The off-time duration of the external clock should be at least 100ns.

### Peak Current-Limit

The MAX17703 provides a cycle-by-cycle overcurrent protection by limiting the peak current-sense voltage ( $V_{CSP} - V_{CSN}$ ) across the current sense pins. When an overcurrent event ( $(V_{CSP} - V_{CSN}) > V_{CS\_PEAK}$ ) is detected, the overcurrent comparator in the MAX17703 terminates the DH pulse and limits the peak current. The overcurrent fault is not latched.

### Charging Current Monitoring (ISMON)

The output charge current can be monitored by observing the voltage at the ISMON pin. Connect a 1nF ceramic capacitor on ISMON to filter out the switching frequency component in the ISMON voltage. The charging current is given by the following equation:

$$I_{CHG} = \frac{V_{ISMON}}{30 \times R_S}$$

where,

$I_{CHG}$  = Charging current

$V_{ISMON}$  = Voltage on the ISMON pin

$R_S$  = Current-sense resistance

### Thermal-Shutdown Protection

Thermal-shutdown protection limits the junction temperature of the device. When the junction temperature of the device exceeds +160°C, an on-chip thermal sensor shuts down the device, allowing the device to cool. The device turns on after the junction temperature reduces by 10°C. Carefully evaluate the total power dissipation (see the [Device Power Dissipation](#) section) to avoid unwanted triggering of the thermal shutdown during normal operation.

## Applications Information

### Inductor Selection

Three key inductor parameters must be specified for operation with the device: inductance value (L), DC resistance ( $R_{DCR}$ ), and inductor saturation current ( $I_{SAT}$ ).

The required inductance is calculated based on the inductor current ripple ratio (LIR), i.e., ratio of peak-to-peak ripple current ( $\Delta I_L$ ) to CC mode charging current ( $I_{CHGMAX}$ ). A good compromise between size and loss is an LIR of 0.3.

The inductance value (L) is given by the higher value of the two calculated inductances:

$$L1 = \frac{V_{OUT} \times (1-D)}{LIR \times I_{CHGMAX} \times f_{SW}}$$

$$L2 = \frac{V_{OUT}}{600000 \times I_{CHGMAX}}$$

where,

$V_{OUT}$  = Desired voltage across the battery

$I_{CHGMAX}$  = CC mode charging current

D = Duty cycle of the converter,  $V_{OUT}/V_{IN}$

$V_{IN}$  = Nominal input voltage

$f_{SW}$  = Switching frequency in Hz

Select an inductor that is nearest to the calculated value. The inductor (RMS) current rating should be more than the CC mode charging current. Select a low-loss inductor with acceptable dimensions and the lowest possible DC resistance. The saturation current rating ( $I_{SAT}$ ) of the inductor must be high enough to ensure that saturation can occur only above the overcurrent threshold corresponding to  $V_{CS\_PEAK}$ .

### Output Capacitor Selection

Batteries have significant internal charging resistance and connection resistances ( $R_{BAT}$ ). The switching ripple component of charger output current flows into  $R_{BAT}$  and results in a large output-voltage ripple.

To reduce the voltage ripple across the battery, additional X7R ceramic capacitors and/or low-ESR POSCAP capacitors can be used at the output of the charger. X7R ceramic output capacitors are preferred due to their stability over temperature. For higher values of output capacitance, low-ESR POSCAP capacitors can be used in parallel with ceramic capacitors.

Calculate the required output capacitance ( $C_{OUT}$ ) based on the following equation:

$$C_{OUT} = \frac{25 \times I_{CHGMAX}}{f_{SW} \times V_{OUT}}$$

where:

$I_{CHGMAX}$  = CC mode charging current setting

$f_{SW}$  = Switching frequency in Hz

$V_{OUT}$  = Desired voltage across the battery

Derating of ceramic capacitors with DC-bias voltage must be considered while selecting the capacitors, using the manufacturer data sheet. The selected output capacitor ( $C_{OUT\_SEL}$ ) and its equivalent series resistance ( $ESR_{COUT}$ ) affect the output voltage ripple ( $\Delta V_{OUT}$ ). Estimate the resultant output-voltage ripple ( $\Delta V_{OUT}$ ) using the following equation:

$$\Delta V_{OUT} \approx \Delta I_L \times \left( ESR_{COUT} + \frac{1}{8 \times f_{SW} \times C_{OUT\_SEL}} \right)$$

where  $\Delta I_L$  is the inductor peak-to-peak ripple current.

In applications with a long cable between the charger output and the battery, to dampen the oscillations caused by the interaction of the cable inductance with the low ESR output capacitors of the charger circuit, an electrolytic capacitor with appropriate ESR (equivalent series resistance) may be used. Choose an electrolytic capacitor equal to 1.5 times the value of  $C_{OUT\_SEL}$ . Select an electrolytic capacitor with the an equivalent series resistance ( $ESR_{ELCO}$ ) as calculated below:

$$ESR_{ELCO} = \sqrt{\frac{L_{CABLE}}{C_{OUT\_SEL}}}$$

where  $L_{CABLE}$  is the output cable inductance.

### Input Capacitor Selection

The input filter capacitor reduces peak currents drawn from the power source and reduces noise and voltage ripple on the input caused by the switching converter. Calculate the required input capacitance at  $V_{IN}$  ( $C_{VIN}$ ) using the following

$$\text{equation: } C_{VIN} = \frac{I_{CHGMAX} \times D \times (1-D)}{\eta \times f_{SW} \times \Delta V_{IN}}$$

where:

$$D = \frac{V_{OUT}}{V_{IN}} \text{ is the duty ratio of the converter}$$

$f_{SW}$  = Switching frequency in Hz

$\Delta V_{IN}$  = Allowable input-voltage ripple

$\eta$  = Efficiency of the converter

$I_{CHGMAX}$  = CC mode charging current

Choose  $\Delta V_{IN} \leq 0.5V$  to minimize voltage ripple across the external nMOSFET and to provide robust operation during input short-circuit events.

The input capacitor RMS current ( $I_{RMS}$ ) is calculated using the following equation:

$$I_{RMS} = I_{CHGMAX} \times \frac{\sqrt{V_{OUT} \times (V_{IN} - V_{OUT})}}{V_{IN}}$$

Choose low-ESR ceramic input capacitors that exhibit less than a 10°C temperature rise at  $I_{RMS}$  for optimal long-term reliability. X7R capacitors are recommended in industrial applications for their temperature stability. Derating of ceramic capacitors with DC-bias voltage must be considered while selecting the capacitors using the manufacturer data sheet.

Choose an electrolytic capacitor at  $DC_{IN}$  to prevent the  $DC_{IN}$  voltage from being less than -0.3V during input short events. An electrolytic capacitor also provides the damping for potential oscillations caused by inductance of the longer input power path and input ceramic capacitor ( $C_{VIN}$ ). Additionally, if required, add a Schottky diode at  $DC_{IN}$  in parallel with the electrolytic capacitor.

### Operating Input-Voltage Range

The following equations are used to calculate the operating input voltage range for a given output voltage and CC mode charging current setting. The minimum operating input voltage on the  $DC_{IN}$  pin is given by the higher value from the two calculated voltages:

$$V_{DCIN(MIN1)} = \frac{V_{OUT} + I_{CHGMAX} \times (R_{DS\_ON(LS)} + R_{DCR(MAX)})}{1 - (1.05 \times f_{SW} \times (t_{DT\_HL} + t_{MIN\_ON\_DL(MAX)}))} + I_{CHGMAX} \times (R_{DS\_ON(HS)} - R_{DS\_ON(LS)})$$

$$V_{DCIN(MIN2)} = (V_{OUT} + 2.1V)$$

where:

$V_{DCIN(MIN1)}$ ,  $V_{DCIN(MIN2)}$  = Minimum operating input voltages; the higher of the two values is the minimum operating input voltage,  $V_{DCIN(MIN)}$



$V_{OUT}$  = Desired regulation voltage across the battery

$I_{CHGMAX}$  = CC mode charging current setting

$f_{SW}$  = Switching frequency in Hz

$R_{DCR(MAX)}$  = Worst-case DC resistance of the inductor in  $\Omega$

$R_{DS\_ON(HS)}$  and  $R_{DS\_ON(LS)}$  = Maximum on-state resistances of high-side and low-side MOSFETs in  $\Omega$ , respectively

$t_{DT\_HL}$  = Dead time (30ns)

$t_{MIN\_ON\_DL(MAX)}$  = Worst case DL minimum guaranteed on time (100ns)

The maximum operating input voltage on the DCIN pin is calculated as follows:

$$V_{DCIN(MAX)} = \frac{V_{OUT}}{1.05 \times f_{SW} \times t_{MIN\_ON\_DH(MAX)}}$$

where:

$V_{DCIN(MAX)}$  = Maximum operating input voltage

$t_{MIN\_ON\_DH(MAX)}$  = Worst case DH minimum guaranteed on time (100ns)

### CC Mode Charging Current Setting (ILIM)

The CC mode charge current setting involves setting up a voltage on the ILIM pin ( $V_{ILIM}$ ) and choice of current sense resistor  $R_S$ . Selection of  $R_S$  involves a trade-off between power loss and charging current accuracy. The best MAX17703 charging current accuracy is obtained with a voltage drop ( $V_{CSP} - V_{CSN}$ ) of 50mV across  $R_S$ . ( $V_{CSP} - V_{CSN}$ ) can be reduced at the expense of charging current accuracy to reduce power loss. The recommended range for voltage across  $R_S$  is 30mV ( $\pm 6.7\%$  charging current accuracy) to 50mV ( $\pm 4\%$  charging current accuracy).  $R_S$  can be calculated using the following equation:

$$R_S \leq \frac{(V_{CSP} - V_{CSN})}{I_{CHGMAX}}$$

Once  $R_S$  is selected,  $V_{ILIM}$  can be calculated using the following equation:

$$V_{ILIM} = 30 \times R_S \times I_{CHGMAX}$$

A resistor divider from  $V_{REF}$  to SGND/EP can be used to program  $V_{ILIM}$  as shown in [Figure 5](#). The resistor divider values are calculated as follows:

$$R_{LIM1} = 20 \times (V_{REF} - V_{ILIM})k\Omega$$

$$R_{LIM2} = 20 \times V_{ILIM}k\Omega$$

The permitted voltage range for the  $V_{ILIM}$  setting is 0.9V to 1.5V. The MAX17703 can be set to the default  $I_{CHGMAX}$  setting corresponding to ( $V_{CSP} - V_{CSN}$ ) = 50mV across  $R_S$  by connecting ILIM to  $V_{REF}$ .

Connect an R-C filter in the current-sense signal path as shown in [Figure 5](#) to attenuate switching noise while preserving accuracy and bandwidth. Select an R-C filter corner frequency at 5 times the switching frequency. The recommended filter resistance ( $R_1$ ) is 40 $\Omega$  for minimal impact on the current-sense accuracy. Place the filter close to the CSP and CSN pins of the device. Calculate the value of filter capacitor C1 using the following equation:

$$C1 = \frac{1}{2\pi \times R1 \times 5 \times f_{SW}}$$

where  $f_{SW}$  = Switching frequency in Hz

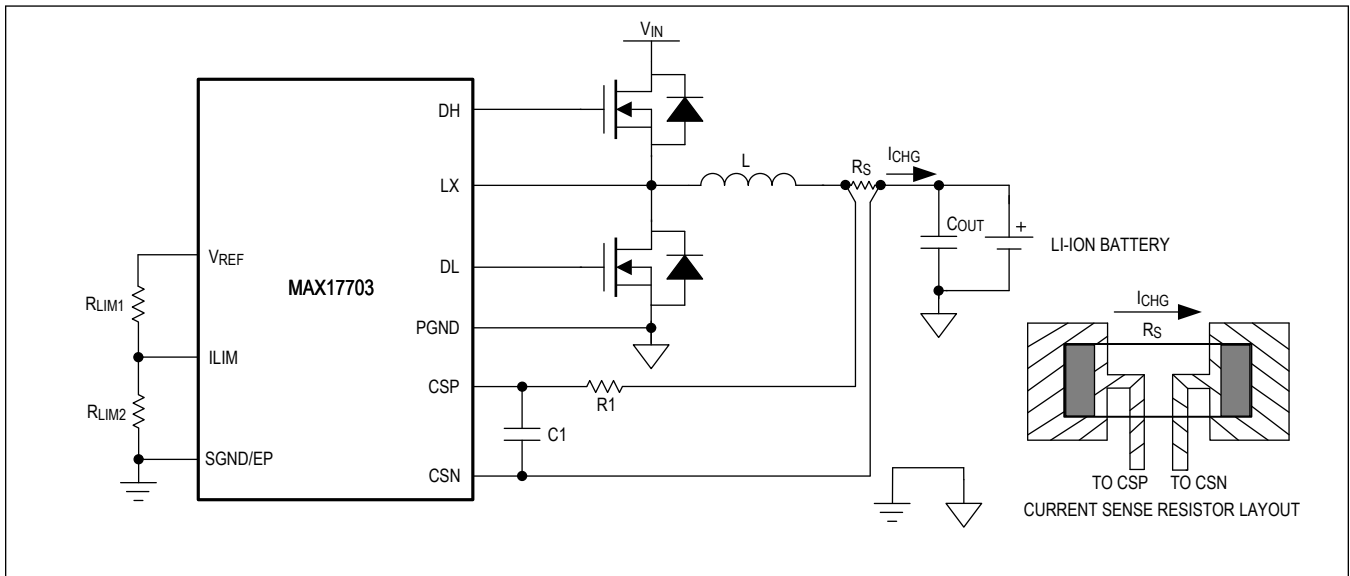


Figure 5. Current-Sense Circuit

**Setting the Input Undervoltage-Lockout Level (EN/UVLO)**

The MAX17703 offers an adjustable input undervoltage-lockout level using the EN/UVLO pin. Pulling the EN/UVLO pin below 1.09V (typ) stops charger operation. Pulling EN/UVLO below 0.64V (typ) causes the MAX17703 to shut down. In this state, the device draws  $I_{IN\_SH}$  (7µA) quiescent current. [Figure 6](#) shows the recommended EN/UVLO configuration based on the required input-voltage range. Connect EN/UVLO to the center node of a resistor divider from the DCIN to SGND/EP to set the input voltage at which the device turns on. Choose R1 as follows:

$$R1 \leq (10000 \times V_{DCIN(MIN)})$$

where  $V_{DCIN(MIN)}$  is the voltage at which the device is required to turn on.

Calculate the value of R2 using the following equation:

$$R2 = \frac{V_{EN\_TH\_R} \times R1}{(V_{DCIN(MIN)} - V_{EN\_TH\_R} + (I_{EN-BIAS} \times R1))}$$

where:

$I_{EN-BIAS}$  = Internal bias pullup current on the EN/ULVO pin (3µA)

$V_{EN\_TH\_R}$  = EN/UVLO rising threshold voltage (1.25V)

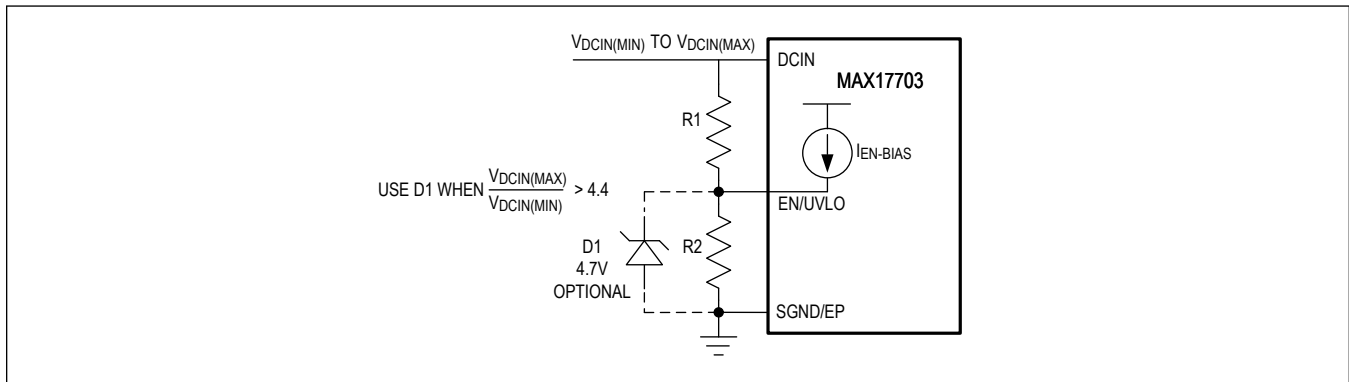


Figure 6. Setting the Input Undervoltage-Lockout

### Current-Regulation Loop Compensation (COMP)

The MAX17703 features a COMP pin to tune the current loop to control performance of the average current-mode controller. Refer to [Figure 1](#) for a depiction of the compensation network on the COMP pin using  $R_Z$ ,  $C_Z$ , and  $C_P$ . The choice of the compensation component values depends on the chosen inductor ( $L$ ) and its DC resistance ( $R_{DCR}$ ), switching frequency ( $f_{SW}$ ), current sense resistor ( $R_S$ ), maximum operating input voltage ( $V_{DCIN(MAX)}$ ), the desired regulation voltage across the battery ( $V_{OUT}$ ), worst-case maximum battery charging resistance ( $R_{BAT}$ ), the maximum on-resistances of the step-down converter nMOSFETs ( $R_{DS\_ON(HS)}$  and  $R_{DS\_ON(LS)}$ ) and the maximum cabling and contact resistances ( $R_{CONNECTION}$ ) in the charging path.

Calculate the compensation resistor  $R_Z$  using the following equation:

$$R_Z = \frac{3000 \times L \times f_{SW}}{V_{DCIN(MAX)} \times R_S}$$

Calculate the compensation capacitor  $C_Z$  using the following equation:

$$C_Z = \frac{0.8 \times L}{R_Z \times R_E}$$

where,

$$R_E = [R_{DCR} + R_S + R_{DS\_ON(HS)} \times D_{MIN} + R_{DS\_ON(LS)} \times (1 - D_{MIN}) + R_{BAT} + R_{CONNECTION}]$$

$$D_{MIN} = \frac{V_{OUT}}{V_{DCIN(MAX)}}$$

Calculate the high-frequency pole capacitor ( $C_P$ ) using the following equation:

$$C_P = \frac{0.35}{R_Z \times f_{SW}}$$

### Setting Output Voltage and Voltage Regulation Loop (FB)

The MAX17703 features a FB pin to regulate the voltage across the battery to a desired level. Connect a feedback resistor divider ( $R_{TOP}$  and  $R_{BOT}$ ) with a compensating capacitor ( $C_{FB}$ ) as depicted in [Figure 1](#). The choice of feedback components depends on the desired regulation voltage across the battery ( $V_{OUT}$ ), the chosen switching frequency ( $f_{SW}$ ), and the operating input-voltage range ( $V_{DCIN(MAX)}$  and  $V_{DCIN(MIN)}$ ).

Calculate  $R_{TOP}$  and  $R_{BOT}$  using the following equations:

$$R_{TOP} = 10 \times V_{OUT} \text{ k}\Omega$$

$$R_{\text{BOT}} = \frac{R_{\text{TOP}}}{\left(\frac{V_{\text{OUT}}}{V_{\text{FB\_REG}}} - 1\right)} \text{ k}\Omega$$

where  $V_{\text{FB\_REG}}$  is the FB reference voltage.

Calculate  $C_{\text{FB}}$  using the following equation:

$$C_{\text{FB}} = \frac{1}{1.5 \times 10^6 \times R_{\text{PAR}}}$$

where,

$$R_{\text{par}} = \frac{R_{\text{TOP}} \times R_{\text{BOT}}}{R_{\text{TOP}} + R_{\text{BOT}}} \text{ in k}\Omega.$$

### Setting Battery Deep-Discharge Voltage Level (DDTH)

The MAX17703 offers a battery deep-discharge state detection mechanism through the DDTH pin. During power-up the device enters a precharge state when the voltage at the DDTH pin ( $V_{\text{DDTH}}$ ) is less than 1.25V ( $V_{\text{DDREF}}$ ). The device transitions into a CC state when  $V_{\text{DDTH}}$  exceeds  $V_{\text{DDREF}}$ . The deep-discharge voltage sense level of a battery can be set by connecting DDTH to the center node of a resistor-divider from output to SGND/EP as shown in [Figure 1](#). Connect DDTH to  $V_{\text{REF}}$  when not used.

Select  $R_{\text{DDT}}$  in the range of 50k $\Omega$  to 100k $\Omega$ .

Calculate resistor  $R_{\text{DDB}}$  from the following equation:

$$R_{\text{DDB}} = \frac{R_{\text{DDT}}}{\left(\frac{V_{\text{OUTDD}}}{V_{\text{DDREF}}} - 1\right)}$$

where,

$V_{\text{OUTDD}}$  = Deep-discharge level of the battery

$V_{\text{DDREF}}$  = Deep-discharge detection comparator threshold (1.25V)

### Setting the Battery Operating Temperature Range (TEMP)

The MAX17703 features a TEMP pin for battery temperature sensing and suspends charging when the temperature is out of the programmed operating temperature range using a negative temperature coefficient (NTC) resistor. Connect an NTC resistor to the TEMP pin along with a resistor divider from  $V_{\text{REF}}$  to SGND/EP as shown in [Figure 7](#). A 47k $\Omega$  NTC resistor with B-constant (25°C - 85°C) = 4108 is recommended. Calculate  $R_{\text{TEMP1}}$  and  $R_{\text{TEMP2}}$  using the following equations:

$$R_{\text{TEMP1}} = \frac{1.25 \times R_{\text{NTCCOLD}} \times R_{\text{NTCHOT}}}{(R_{\text{NTCCOLD}} - 2.25 \times R_{\text{NTCHOT}})}$$

$$R_{\text{TEMP2}} = \frac{0.67 \times R_{\text{NTCCOLD}} \times R_{\text{TEMP1}}}{(R_{\text{NTCCOLD}} + R_{\text{TEMP1}})}$$

Where  $R_{\text{NTCCOLD}}$  is the resistance value of the selected NTC resistor at a low battery-operating temperature limit and  $R_{\text{NTCHOT}}$  is the resistance value of the selected NTC resistor at a high battery-operating temperature limit.

To disable the battery temperature sensing feature, use  $R_{\text{TEMP1}} = R_{\text{TEMP2}} = 100\text{k}\Omega$

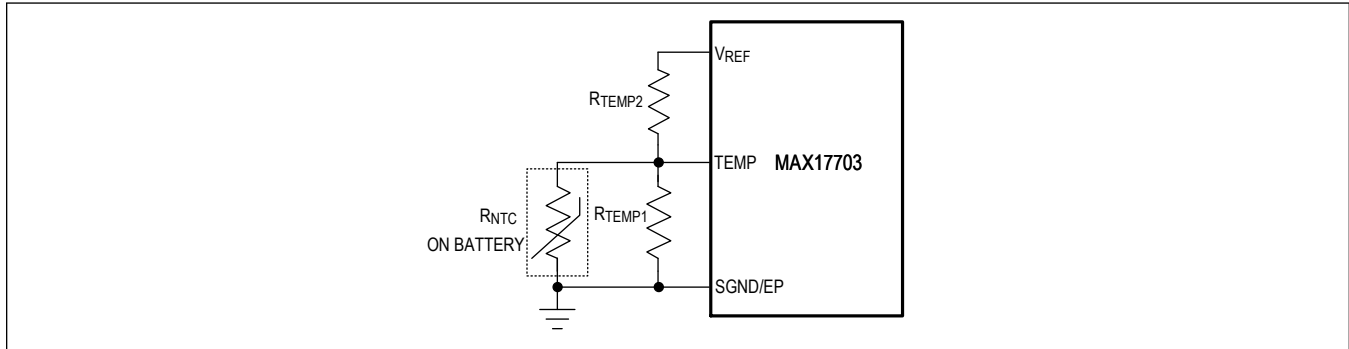


Figure 7. Setting the Battery Operating Temperature Range

### Bootstrap Capacitor Selection

The bootstrap capacitance ( $C_{BST}$ ) value is determined by the selection of the high-side nMOSFET(s). Choose  $C_{BST}$  using the following equation:

$$C_{BST} \geq \frac{\Delta Q_G}{\Delta V_{BST}}$$

where:

$\Delta Q_G$  = Total gate charge of the high-side nMOSFET(s)

$\Delta V_{BST}$  = Voltage variation allowed on the high-side nMOSFET(s) driver after turn-on

Choose  $\Delta V_{BST} \leq 100\text{mV}$  to select  $C_{BST}$ . The bootstrap capacitor should be a low-ESR ceramic capacitor. A minimum value of  $0.1\mu\text{F}$  is recommended.

### Bootstrap Diode Selection

Select a Schottky diode with the following ratings:

- Reverse voltage rating  $\geq$  (Maximum input operating voltage + 10V)
- Average forward current rating  $\geq 1\text{A}$

Choose a diode with low forward voltage drop and low reverse leakage current across the operating temperature range.

### Input Short-Circuit Protection External nMOSFET Selection

The MAX17703 is designed to control an external logic-level nMOSFET that turns off in less than 100ns and isolates the  $V_{IN}$  node from input short-circuit events. This feature prevents discharge of the battery into the input during input short-circuit events. The external nMOSFET used for this feature only turns on once during power-up and turns off during shutdown and, therefore, does not need to be optimized for switching performance. Select an external nMOSFET with low  $R_{DS-ON}$  for low forward path conduction losses. The MAX17703 supports external nMOSFETs with gate charge up to 250nC at  $V_{GS} = 3.9\text{V}$ . Using larger gate charge values results in a gate charging time larger than  $t_{GATEN\_OK}$  (15ms typ) and causes the MAX17703 to enter a latched-fault condition.

### Step-Down Converter nMOSFET Selection

The MAX17703 drives two external logic-level nMOSFETs to implement the step-down converter high-side and low-side switches. These nMOSFETs must be logic-level compatible with guaranteed on-resistance specifications provided at  $V_{GS} = 4.5\text{V}$ . The key selection parameters to choose these MOSFETs include:

- On-resistance ( $R_{DS-ON}$ )
- Maximum drain-to-source voltage ( $V_{DS(MAX)}$ )
- Miller Plateau voltage on the nMOSFET Gate ( $V_{MIL}$ )
- Total gate charge ( $Q_G$ )

- Output capacitance ( $C_{OSS}$ )
- Power-dissipation rating and package thermal resistance
- Maximum operating junction temperature

For the step-down converter, nMOSFETs should be chosen in such a way that the switching losses and conduction losses are balanced and optimized. The duty cycles for the high-side and low-side external nMOSFETs can be calculated as follows:

$$D = \frac{V_{OUT}}{V_{IN}}$$

High-side nMOSFET duty cycle:  $D$

Low-side nMOSFET duty cycle:  $1 - D$

High-side nMOSFET losses can be estimated using the following formula:

$$P_{HS-MOSFET} = P_{HS-MOSFET\_CONDUCTION} + P_{HS-MOSFET\_SWITCHING}$$

$$P_{HS-MOSFET\_CONDUCTION} = I_{CHG}^2 \times R_{DS-ON(HS)} \times D$$

$$P_{HS-MOSFET\_SWITCHING} = f_{SW} \times \left( \left[ \frac{V_{IN} \times I_{CHG}}{2} \times \frac{Q_{SW} \times R_{DR}}{V_{CC} - V_{MIL}} \right] + [V_{IN} \times Q_{rr}] + \left[ \frac{1}{2} \times C_{OSSHS} \times V_{IN}^2 \right] + \left[ \frac{1}{2} \times C_{OSSLS} \times V_{IN}^2 \right] \right)$$

where,

$f_{SW}$  = Switching frequency in Hz

$I_{CHG}$  = Charging current

$Q_{SW}$  = Switching charge of the high-side nMOSFET from the nMOSFET data sheet,

$R_{DR}$  = Sum of the DH pin driver pullup resistance and the high-side nMOSFET internal gate resistance,

$V_{MIL}$  =  $V_{GS}$  of the high-side nMOSFET that corresponds to  $I_D = I_{CHGMAX}$  on the  $V_{GS}$  vs.  $I_D$  curve in the nMOSFET data sheet

$Q_{rr}$  = Reverse-recovery charge of low-side nMOSFET(s) body diode

$C_{OSSHS}$  = Effective output capacitance of the high-side nMOSFET(s)

$C_{OSSLS}$  = Effective output capacitance of the low-side nMOSFET(s)

Low-side nMOSFET losses can be estimated using the following formula:

$$P_{LS-MOSFET} = I_{CHG}^2 \times R_{DS-ON(LS)} \times (1 - D) + V_D \times I_{CHG} \times t_{DT} \times f_{SW} \times 2$$

where,

$V_D$  = Forward-drop of the low-side nMOSFET(s) body diode

$t_{DT}$  = Dead time (30ns)

Take  $R_{DS-ON}$  variation with respect to temperature into account while calculating the power losses and ensure that the losses of each nMOSFET do not exceed their power rating and operate within a safe junction temperature rating. When parallel nMOSFETs are used, it is recommended to use appropriate independent series gate resistors for each nMOSFET to account for gate charge variation from one nMOSFET to another.

## System Considerations

The MAX17703 is designed to charge Li-ion batteries. When load current is drawn during the battery charging process, the charging current available for battery charging reduces. This influences the overall charging time period in CC and CV states. The safety timer period ( $T_{FCHG}$ ) must be adjusted accordingly. Disable the timer function to charge the Li-ion batteries with parallel system load current equal to or greater than taper current threshold ( $I_{TCHG}$ ), to avoid undesired latched-fault in CC or CV states.

For safe operation, follow the procedure below while making connections:

1. Connect the battery terminals to the output of the charger circuit. Note that the output capacitors of the charger can draw current from the battery during a hot plug-in/connection process.
2. Connect the input power source to the battery charger circuit only after securely connecting the battery at the output.

- Do not operate the charger without battery.

### Device Power Dissipation

The MAX17703 must dissipate losses due to quiescent-current consumption and the internal gate driver.

If  $V_{CC}$  is powered from  $V_{IN}$ , use the following equation to calculate the approximate IC losses:

$$P_{MAX17703} = V_{IN} \times [(Q_G \times f_{SW}) + I_{QNS}]$$

When  $V_{OUT}$  is used to power  $V_{CC}$  by connecting the EXTVCC pin to an output voltage greater than 4.8V, use the following equation to calculate the approximate IC losses:

$$P_{MAX17703} = V_{EXTVCC} \times [(Q_G \times f_{SW}) + I_{QNS}]$$

where,

$Q_G$  = Total gate charge of high-side and low-side nMOSFETs,

$I_{QNS}$  = Input Quiescent current (2.1mA)

$f_{SW}$  = Switching Frequency in Hz

Calculate the junction temperature using the following equation and ensure that it does not exceed +125°C.

$$T_J = T_{A(MAX)} + (\theta_{JA} \times P_{MAX17703})$$

where,

$T_J$  = Junction temperature

$P_{MAX17703}$  = Power loss in the device

$\theta_{JA}$  = Junction-to-ambient thermal resistance

$T_{A(MAX)}$  = Maximum ambient temperature

### PCB Layout Guidelines

Careful PCB layout is critical to achieve low losses, and low EMI emissions. Use the following guidelines for PCB layout:

- Place ceramic input filter capacitors as close as possible across the drain of the high-side nMOSFET and source of the low-side nMOSFET.
- Use Kelvin connections and route the  $V_{IN}$  and DCIN traces from input short-circuit protection nMOSFET source and drain terminals as a differential pair and connect to  $V_{IN}$  and DCIN pins of the device. Place  $V_{IN}$  and DCIN bypass capacitors close to  $V_{IN}$  and DCIN pins respectively.
- Place  $V_{CC}$  and EXTVCC bypass capacitors and the BST capacitor near the respective pins.
- Place GATEN-to-DCIN bypass capacitor close to the GATEN, DCIN pins of the device.
- Place bootstrap capacitor close to BST, LX pins of the device.
- Route the bootstrap diode connections from  $V_{CC}$  capacitor and to bootstrap capacitor as short as possible to minimize the loop inductance.
- Route switching traces (BST, LX, DH, and DL) away from sensitive signal traces (RT/SYNC, COMP, CSP, CSN, and FB).
- The gate current traces must be short in length. Use multiple vias to route these signals if routed from one layer of the PCB to another layer.
- Route current-sense traces as a differential pair to minimize the loop inductance and avoid differential noise.
- Place the current-sense filter resistor and capacitor near both the CSP and CSN pins.
- Place feedback and compensation components close to the device and connect to the SGND/EP copper area.
- Place all power components on the top side of the board and run the power-stage currents using traces or copper fills on the top side only, without adding vias, wherever possible.
- Keep the power traces and load connections short. Use multilayer, thick copper PCBs (2oz or higher) to enhance efficiency and minimize trace inductance and resistance.
- Allocate a large PGND copper area for the output node, and connect the return terminals of the input filter capacitors, output capacitors, and the source terminals of the low-side nMOSFET(s) to that area.

- Refer to the MAX17703 EV kit data sheet for recommended PCB layout and routing.

Typical Application Circuit

10A Li-Ion Battery Charger

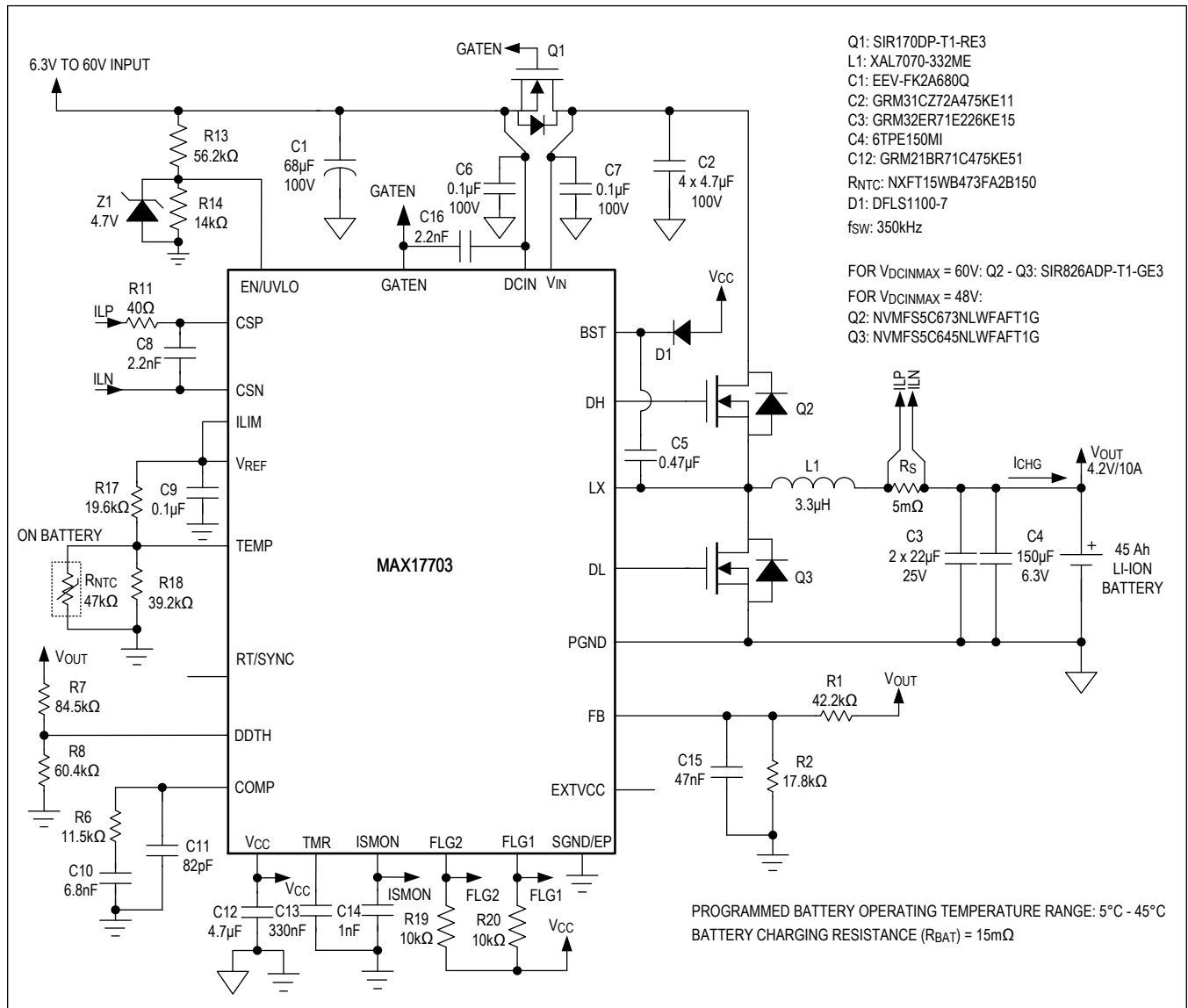


Figure 8. 4.2V/10A Li-Ion Battery Charger



MAX17703

4.5V to 60V, Synchronous Step-Down  
Li-Ion Battery Charger Controller

### Ordering Information

PART NUMBER	TEMPERATURE RANGE	PIN-PACKAGE
MAX17703ATG+	-40°C to +125°C	24 TQFN-EP
MAX17703ATG+T	-40°C to +125°C	24 TQFN-EP

+ Denotes a lead(Pb)-free/RoHS-compliant package.

T = Tape-and-reel.

## Revision History

REVISION NUMBER	REVISION DATE	DESCRIPTION	PAGES CHANGED
0	4/21	Release for Market Intro	—
1	12/21	Updated <i>Benefits and Features</i> , <i>Electrical Characteristics</i> , <i>Typical Operating Characteristics</i> TOC1, TOC2, TOC3, TOC5, TOC14, <i>Pin Description</i> , <i>Input Short-Circuit Protection (GATEN)</i> , <i>Inductor Selection</i> , <i>Output Capacitor Selection</i> , <i>Operating Input-Voltage Range</i> , <i>CC Mode Charging Current Setting (ILIM)</i> , <i>Setting the Input Undervoltage-Lockout Level (EN/UVLO)</i> , <i>Current-Regulation Loop Compensation (COMP)</i> , <i>Setting Output Voltage and Voltage Regulation Loop (FB)</i> , <i>Setting the Battery Operating Temperature Range (TEMP)</i> , <i>Step-Down Converter nMOSFET Selection</i> , <i>Device Power Dissipation</i> , <i>PCB Layout Guidelines</i> , and <i>Typical Application Circuit</i> , <i>10A Li-Ion Battery Charger</i> sections	5, 8–9, 11, 18, 22-27, 29-31