

6

5

4

3

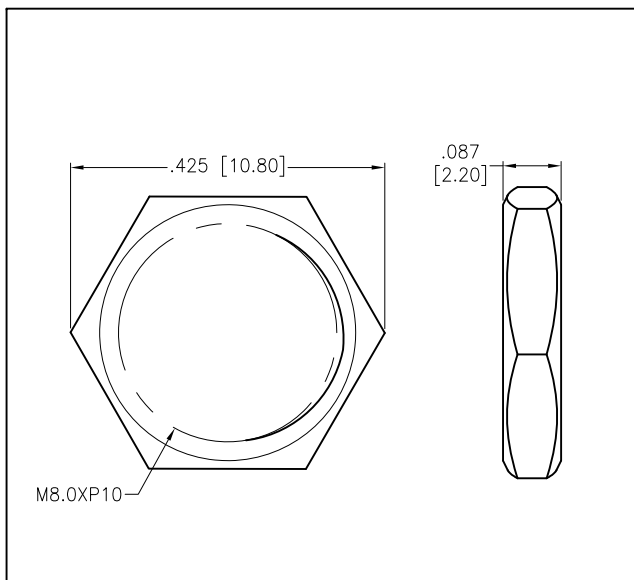
2

1

APPROVED: \_\_\_\_\_

DATE: \_\_\_\_\_ TITLE: \_\_\_\_\_

Rev	AWO #	Description	Date	Appr
-		RELEASED	6/22/22	



UNLESS OTHERWISE SPECIFIED ALL DIMENSIONS ARE INCHES [MM]. TOLERANCES: EXCEPT AS NOTED

INCHES		HOLES	
.x	± .10	∅x	± .10
.xx	± .020	∅xx	± .015
.xxx	± .015	∅xxx	± .010

**ADAM**  
**TECH**

909 Rahway Avenue,  
Union, NJ 07083  
Phone: 908-687-5000  
Fax: 908-687-5710

DRAWN	JJ	6/22/22
CHECKED	TW	6/22/22
APPROVED		

TITLE  
HARDWARE FOR ASJ-203C-M-WP-HDW, NUT M8X1.0P

THIS DRAWING CONTAINS INFORMATION THAT IS PROPRIETARY AND SHOULD NOT BE USED WITHOUT PRIOR WRITTEN PERMISSION FROM ADAM TECH

SIZE X	PART NO. HDW-120	REV. -
REF: S00002C	SCALE: NTS	SHEET 1 OF 1

SPECIFICATIONS:  
Material: Brass, Nickel plated  
Environmental:  
Lead free, RoHS compliant.



6

5

4

3

2

1