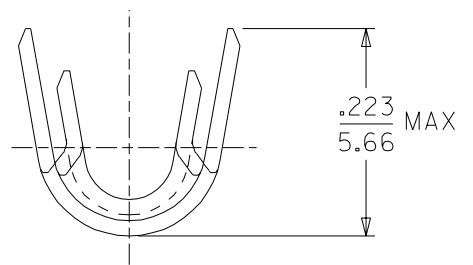
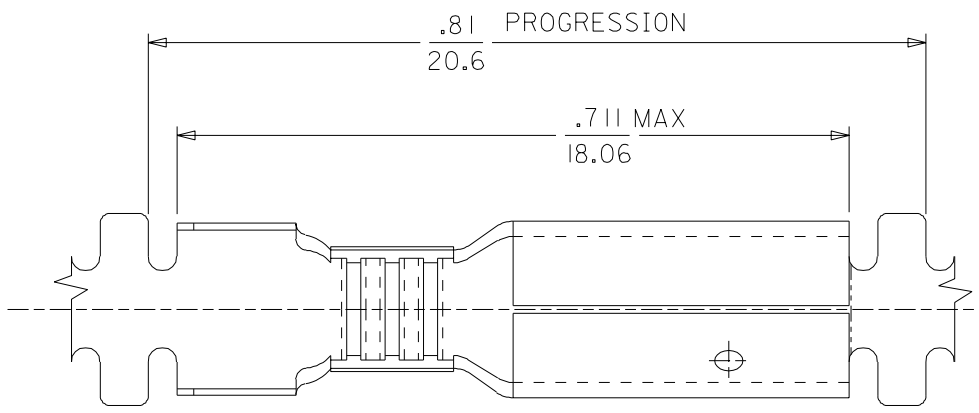
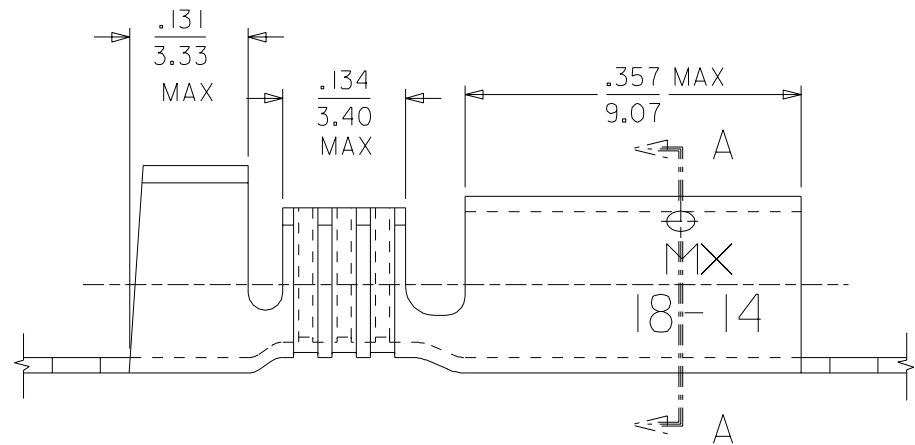


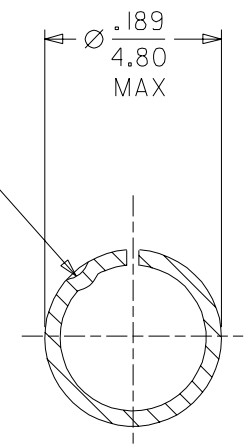
MATERIAL NO.	ENGINEERING NO.	DESCRIPTION	FINISH
197234100	19723-4100	CONTINUOUS STRIP WITH DIMPLE	UNPLATED
197234101	19723-4101	CONTINUOUS STRIP WITHOUT DIMPLE	
197234102	19723-4102	CONTINUOUS STRIP WITH DIMPLE	ELECTRO-TIN
197234103	19723-4103	CONTINUOUS STRIP WITHOUT DIMPLE	



BACKGROUND OMITTED FOR CLARITY



DIMPLE LOCATION OPTIONAL SEE CHART



SECTION A-A
BACKGROUND OMITTED FOR CLARITY

SALES DRAWING

NOTES:
1. MATERIA: BRASS.
2. PLATING: SEE CHART.

NEW RELEASE EC NO. ETC2004-0035 DRWN: BRE 03/08/08 CHK: HEB 03/08/08 APPR: RWD 03/08/08	QUALITY SYMBOLS	GENERAL TOLERANCES: (UNLESS SPECIFIED)	SCALE 4:1	DESIGN UNITS <input type="checkbox"/> mm <input checked="" type="checkbox"/> INCH	THIRD ANGLE PROJECTION <input type="checkbox"/> mm <input checked="" type="checkbox"/> INCH	SHT	REV
	MAJOR $\nabla=0$	mm INCH	DRAWN BY & DATE	TITLE: SNAP PLUG RECEPTACLE			
	CRITICAL $\nabla C=0$	4 PLACES $\pm 0.$ $\pm .$	BRE 03/08/07	.156 DIA VIBRAKRIMP			
		3 PLACES $\pm 0.$ $\pm .$	CHECKED BY & DATE	18-14 AWG CHAIN STAMPED			
	2 PLACES $\pm 0.$ $\pm .$	HEB 03/08/07	MOLEX INCORPORATED				
	1 PLACE $\pm 0.$ $\pm .$	APPROVED BY & DATE	MATERIAL NO. DRAWING NO. SHEET NO.				
	ANGULAR: $\pm 1/2^\circ$	RWD 03/08/07	CAD FILENAME	SD-19723-002 .DWG	SEE CHART SD-19723-002	1 OF 1	SIZE B
	DRAFT WHERE APPLICABLE MUST REMAIN WITHIN DIMENSIONS	THIS DRAWING CONTAINS INFORMATION THAT IS PROPRIETARY TO MOLEX INCORPORATED AND SHOULD NOT BE USED WITHOUT WRITTEN PERMISSION.					