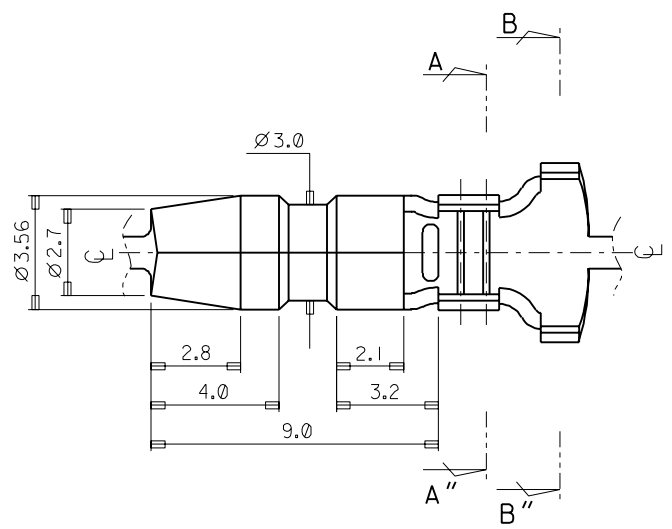
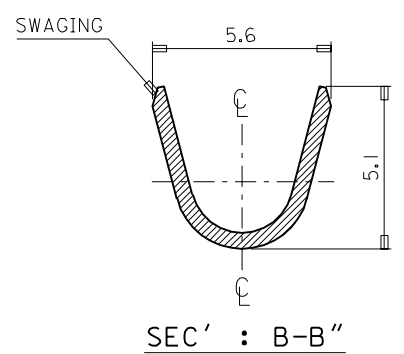
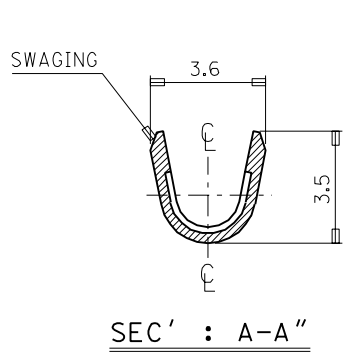
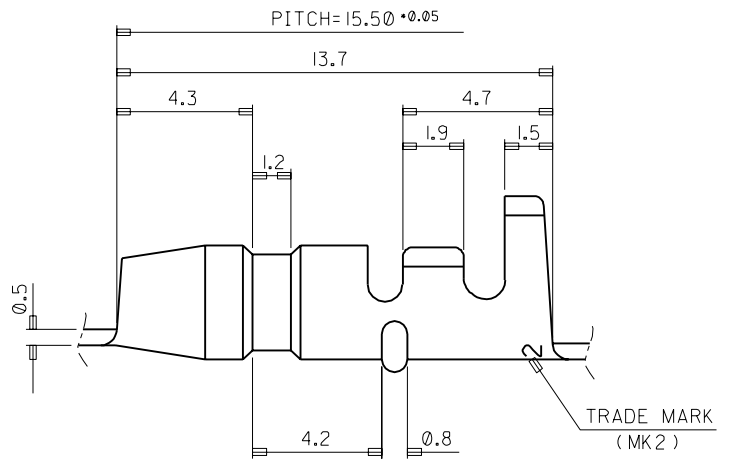


8 7 6 5 4 3 2 1

ENG. NO. SD 35730-72*0
 EDP NO.
 SIMILAR ITEM
 PROJECT NO. Ø3.56 PIN TM'L-S
 DO NOT SCALE DRAWING
 DIMENSION IN METRIC



- NOTES
1. MATERIAL : BRASS , 0.5 mm THICKNESS
 2. FINISH : 35730-7200(UNPLATED)
 35730-7210(POST PLATED TIN)
 35730-7240(TIN-LEAD PLATED)
 3. RECOMMENDED LENGTH OF WIRE STRIP IS 3.0-3.6mm



ASS'Y PART		QTY/REEL OR PACK	SURFACE AREA	MATERIAL	SEE NOTES	WIRE RANGE	GENERAL TOLERANCES	MOLEX MOLEX-KOREA CO.,LTD.
DESCRIPTION	ENG.NO.	7,000 Q'TY /REEL	MM ²	DIMENSION CLASSIFICATION		#20-#14	DIM. : ±0.30	
		DIE NO.	LAYOUT NO.	<input checked="" type="checkbox"/> : CRITICAL <input checked="" type="checkbox"/> : MAJOR <input type="checkbox"/> : MINOR () : REFERENCE		0.5-2.2	ANGLE : ±0.15	
B	REVISED	93-025	93.11.17	DRAWN BY	CHK'D BY	INSULATION RANGE	REVISE ONLY ON CAD SYSTEM	
A	CAD REDRAWING	93-019	93.8.17	J.S.KANG	B.K.CHOI	Ø2.6-3.8	TITLE: Ø 3.56 PIN TM'L-S 1 of 1	
LTR	REVISION RECORD	ECN	DR/CHK	DATE	DIE FEED	APPL FEED	WBDW	IBDW
					15.50			
								APP'D BY
								SCALE
								7/1
								ENG.NO.
								SD 35730-72*0
								REV B

8 7 6 5 4 3 2 1 MK-9