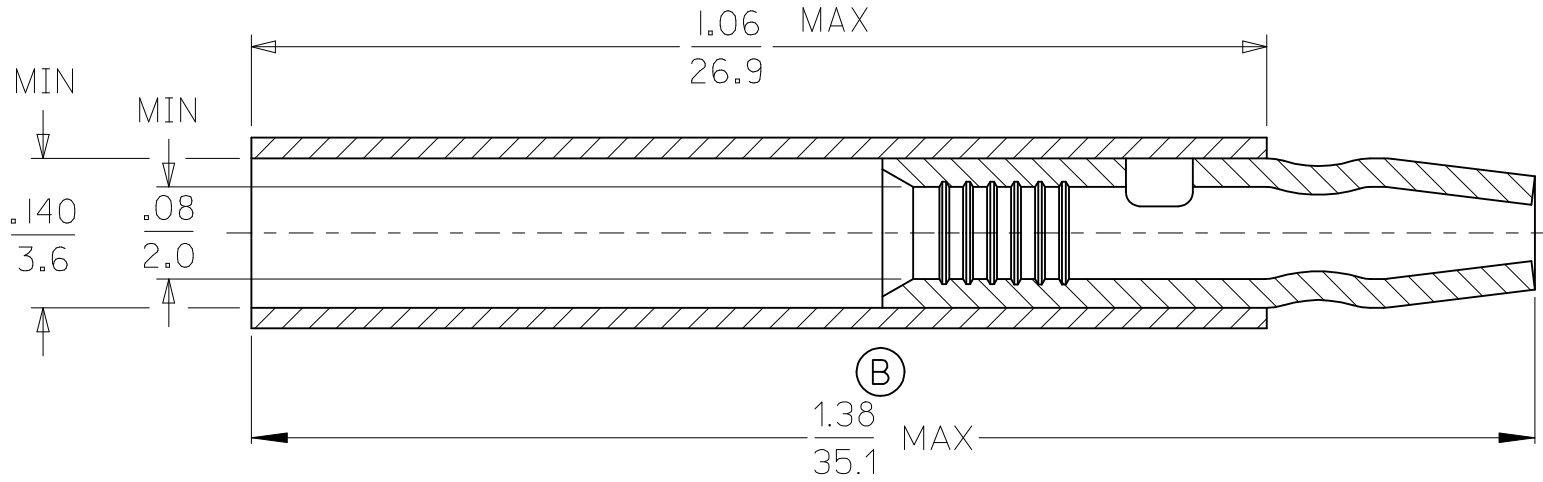


6	5	4	3	2	1
MATERIAL NO.	ENGINEERING P/N	DESCRIPTION:			
190340004	B-789	LOOSE PIECE BLUE INSULATION			



- NOTES:
1. MATERIAL: COPPER.
 2. PLATING: ELECTRO-TIN.
 3. INSULATION: NYLON
 4. PART IS ROHS COMPLIANT.

(B)

CUSTOMER DRAWING

MAX LENGTH WAS 1.34 EC NO: WNA2008-0291 DRWN:ETHRODAHL 2008/09/23 CHKD:JMACNEIL 2008/09/23 APPR:JMACNEIL 2008/09/24	QUALITY SYMBOLS ▼=0 ◻=0	GENERAL TOLERANCES (UNLESS SPECIFIED)		DIMENSION STYLE IN/MM		SCALE ---	DESIGN UNITS INCH	THIRD ANGLE PROJECTION		
			mm	INCH	DRAWN BY JHACKNEY	DATE 1999/12/03	TITLE .156 MALE BULLET PLUG 16-14 AWG NYLAKRIMP BLUE			
		4 PLACES	± ---	± ---	CHECKED BY RDEROSS	DATE 1999/12/03				
		3 PLACES	± ---	± .005	APPROVED BY RDEROSS	DATE 1999/12/03	MOLEX INCORPORATED DOCUMENT NO. SD-19034-002		SHEET NO. 1 OF 1	
2 PLACES	± 0.13	± .01	DRAFT WHERE APPLICABLE MUST REMAIN WITHIN DIMENSIONS							
1 PLACE	± 0.25	± ---	ANGULAR ± ---°		MATERIAL NO. SEE CHART					