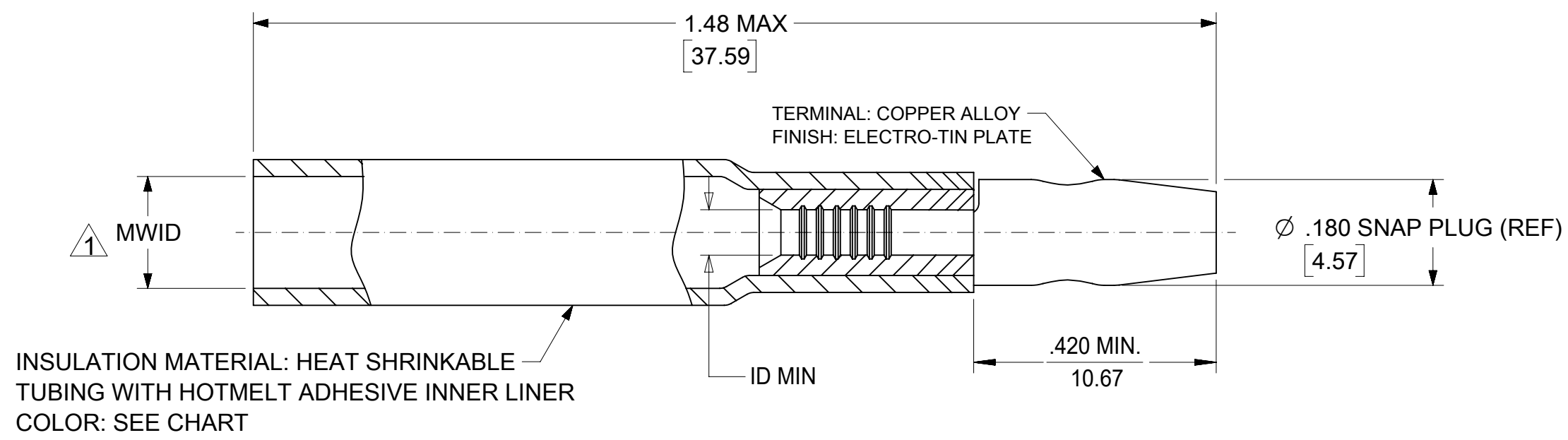
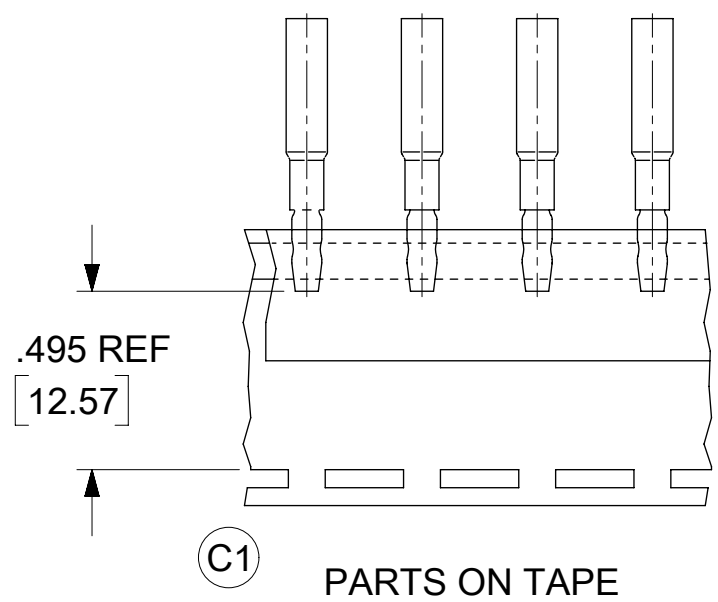


MAT'L NO.	ENG NO.	MAT'L NO. (TAPE)	ENG NO. (TAPE)	WIRE AWG	MWID	ID MIN	INSULATION COLOR
191640009	SA-259	----	----	22 - 18	.235 (5.97)	.054 (1.35)	RED
191640039	SA-279	191640314	SB-279T	16 - 14	.230 (5.84)	.080 (2.03)	BLUE



NOTE(S):
 1 MWID: MAXIMUM WIRE INSULATION DIAMETER
 2. PART IS RoHS COMPLIANT.

FUNCTIONAL SYMBOLS FA = 0 FE = 0 FP = 0	THIS DRAWING CONTAINS INFORMATION THAT IS PROPRIETARY TO MOLEX ELECTRONIC TECHNOLOGIES, LLC AND SHOULD NOT BE USED WITHOUT WRITTEN PERMISSION		CURRENT REV DESC: ADD TAPE DETAIL & PN: 191640314 (SB-279T)		molex	
	DIMENSION UNITS	SCALE				
	INCH/MM	1:1	EC NO: 686478		.180/4.57 SNAP PLUG	
	GENERAL TOLERANCES (UNLESS SPECIFIED)		DRWN: DMYRICK 2021/11/23		NIAC 22-18 16-14 AWG	
DIVISIONAL SYMBOLS	4 PLACES	±	MM	INCH	PRODUCT CUSTOMER DRAWING	
	3 PLACES	±	± 0.01		DOCUMENT NUMBER	
	2 PLACES	± 0.25	± 0.02		SD-19164-068	
	1 PLACE	± 0.5	±		DOC TYPE	DOC PART
	0 PLACES	±	±		PSD	001
	ANGULAR TOL ± 1.0°		INITIAL REVISION:		REVISION	
	DRAFT WHERE APPLICABLE MUST REMAIN WITHIN DIMENSIONS		DRWN: BENDERLE 2004/09/10		C1	
	THIRD ANGLE PROJECTION		APPR: RDEROSS 2004/09/13		SHEET NUMBER	
	DRAWING		SERIES		1 OF 1	
	B-SIZE		19164			
	SEE CHART		CUSTOMER		GENERAL MARKET	