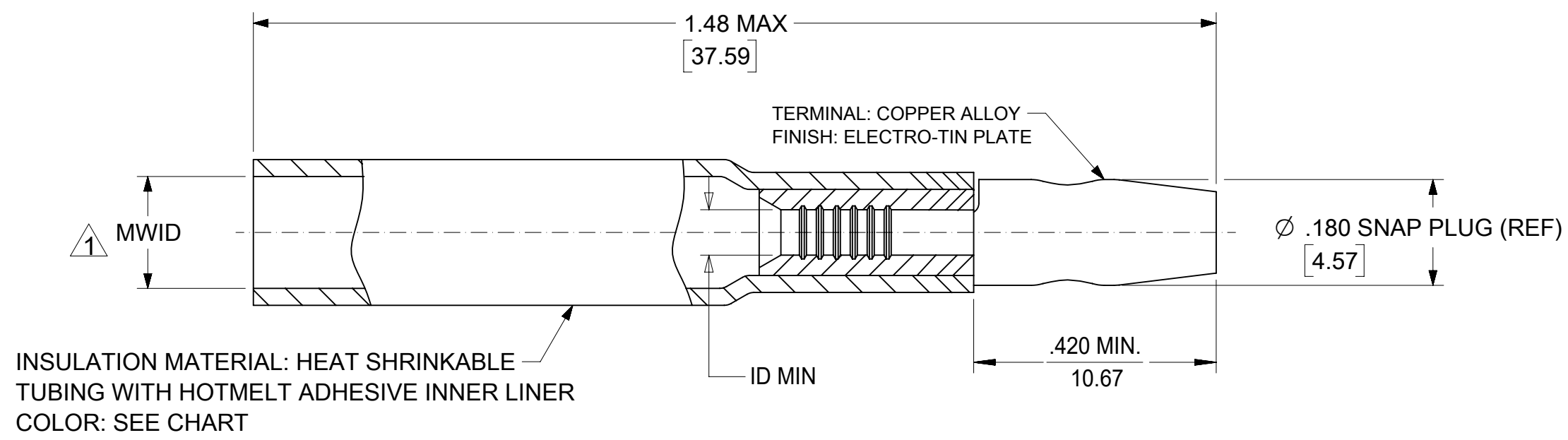
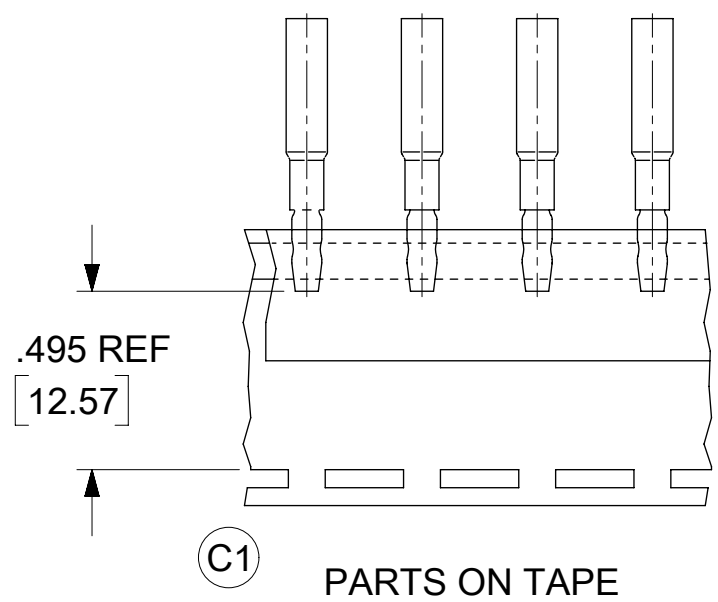


MAT'L NO.	ENG NO.	MAT'L NO. (TAPE)	ENG NO. (TAPE)	WIRE AWG	MWID	ID MIN	INSULATION COLOR
191640009	SA-259	----	----	22 - 18	.235 (5.97)	.054 (1.35)	RED
191640039	SA-279	191640314	SB-279T	16 - 14	.230 (5.84)	.080 (2.03)	BLUE



NOTE(S):
 1 MWID: MAXIMUM WIRE INSULATION DIAMETER
 2. PART IS RoHS COMPLIANT.

FUNCTIONAL SYMBOLS FA = 0 FE = 0 FP = 0	THIS DRAWING CONTAINS INFORMATION THAT IS PROPRIETARY TO MOLEX ELECTRONIC TECHNOLOGIES, LLC AND SHOULD NOT BE USED WITHOUT WRITTEN PERMISSION		CURRENT REV DESC: ADD TAPE DETAIL & PN: 191640314 (SB-279T)		molex	
	DIMENSION UNITS	SCALE				
	INCH/MM	1:1	GENERAL TOLERANCES (UNLESS SPECIFIED)		.180/4.57 SNAP PLUG NIAC 22-18 16-14 AWG	
	4 PLACES ±		MM INCH		PRODUCT CUSTOMER DRAWING	
3 PLACES ±		± 0.01		DOCUMENT NUMBER		
2 PLACES ±		± 0.25 ± 0.02		SD-19164-068		
1 PLACE ±		± 0.5 ±		DOC TYPE DOC PART REVISION		
0 PLACES ±		±		PSD 001 C1		
ANGULAR TOL ± 1.0°		THIRD ANGLE PROJECTION		MATERIAL NUMBER		
DRAFT WHERE APPLICABLE MUST REMAIN WITHIN DIMENSIONS		DRAWING		CUSTOMER		
		B-SIZE		SERIES		
		19164		SEE CHART		
				GENERAL MARKET		
				SHEET NUMBER		
				1 OF 1		