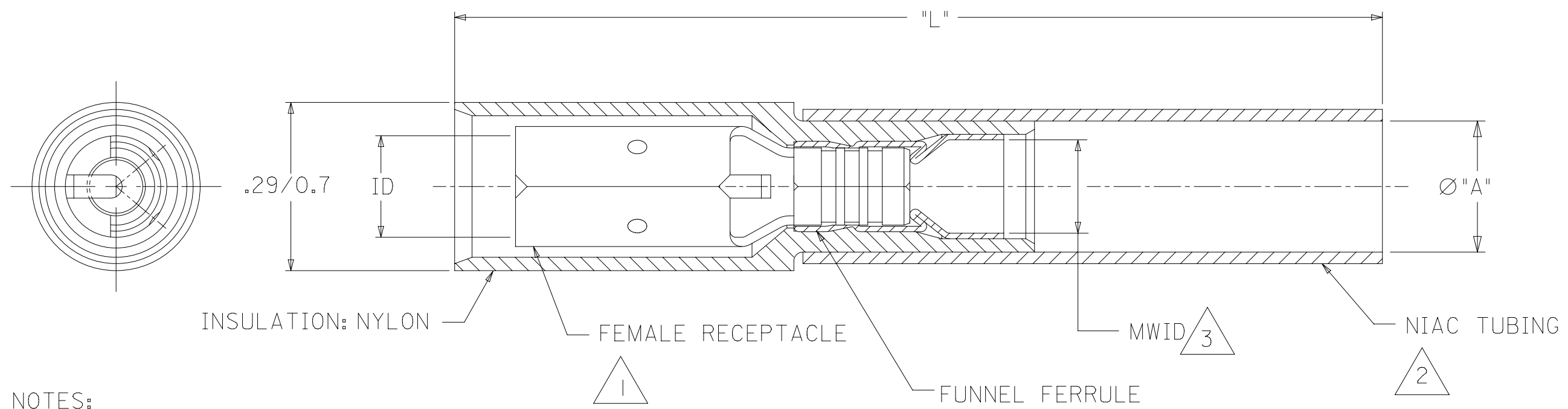
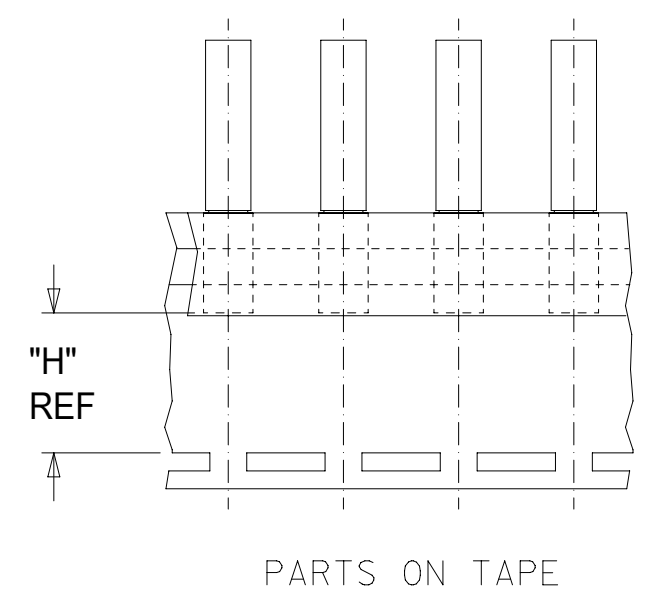


MATERIAL NUMBER	ENGINEERING NUMBER	MATERIAL NUMBER ON TAPE	ENGINEERING NUMBER ON TAPE	AWG	COLOR CODE	MWID	"ID" MIN	"L" MAX	"A" MIN	"H" REF
191640052	SBRA-8156N	191641151	SBRA-8156NT	22-18	RED	.13/3.3	.156/3.96	1.62/41.2	.235/5.97	.42 (10.7) D3
191640053	SBRA-8180N	191641152	SBRA-8180NT	22-18	RED	.13/3.3	.180/4.57	1.63/41.4	.235/5.97	
191640054	SBRB-8156N	191640414	SBRB-8156NT	16-14	BLUE	.15/3.81	.156/3.96	1.63/41.4	.230/5.84	
191640055	SBRB-8180N	191641147	SBRB-8180NT	16-14	BLUE	.15/3.81	.180/4.57	1.63/41.4	.230/5.84	



- NOTES:
- 1 TERMINAL
MATERIAL: COPPER
PLATING: TIN
 - 2 INSULATION
MATERIAL: HEAT SHRINKABLE
NIAC TUBING W/ HOT-MELT
ADHESIVE INNER LINER
 - 3 MWID= MAXIMUM WIRE INSULATION DIAMETER
4. PARTS ARE ROHS COMPLIANT.

THIS DRAWING CONTAINS INFORMATION THAT IS PROPRIETARY TO MOLEX ELECTRONIC TECHNOLOGIES, LLC AND SHOULD NOT BE USED WITHOUT WRITTEN PERMISSION			
DIMENSION UNITS INCH/MM	SCALE NTS	CURRENT REV DESC: TAPE HT DIM: .42 REF WAS .455 ± .010	
GENERAL TOLERANCES (UNLESS SPECIFIED)		<b style="font-size: 12px;">molex FULLY INSULATED AVIKRIMP PERMA-SEAL BULLET RECEPT .156/3.96-.180/4.57 DIA. PRODUCT CUSTOMER DRAWING	
4 PLACES ±	±		
3 PLACES ±	±		
2 PLACES ± 0.25	± 0.01		
1 PLACE ± 0.5	± 0.02		
0 PLACES ±	±	EC NO: 650071 DRWN: DMYRICK 2020/11/19 CHK'D: KBURROUGHS 2020/11/25 APPR: KBURROUGHS 2020/11/25	
ANGULAR TOL ± 0.5°		INITIAL REVISION: DRWN: BENDERLE 2004/09/10 APPR: RDEROSS 2004/09/13	
DRAFT WHERE APPLICABLE MUST REMAIN WITHIN DIMENSIONS	THIRD ANGLE PROJECTION 	DRAWING B-SIZE	SERIES 19164
DOCUMENT NUMBER SD-19164-035		DOC TYPE PSD	DOC PART 001
REVISION D3		SHEET NUMBER 1 OF 1	