

6

5

4

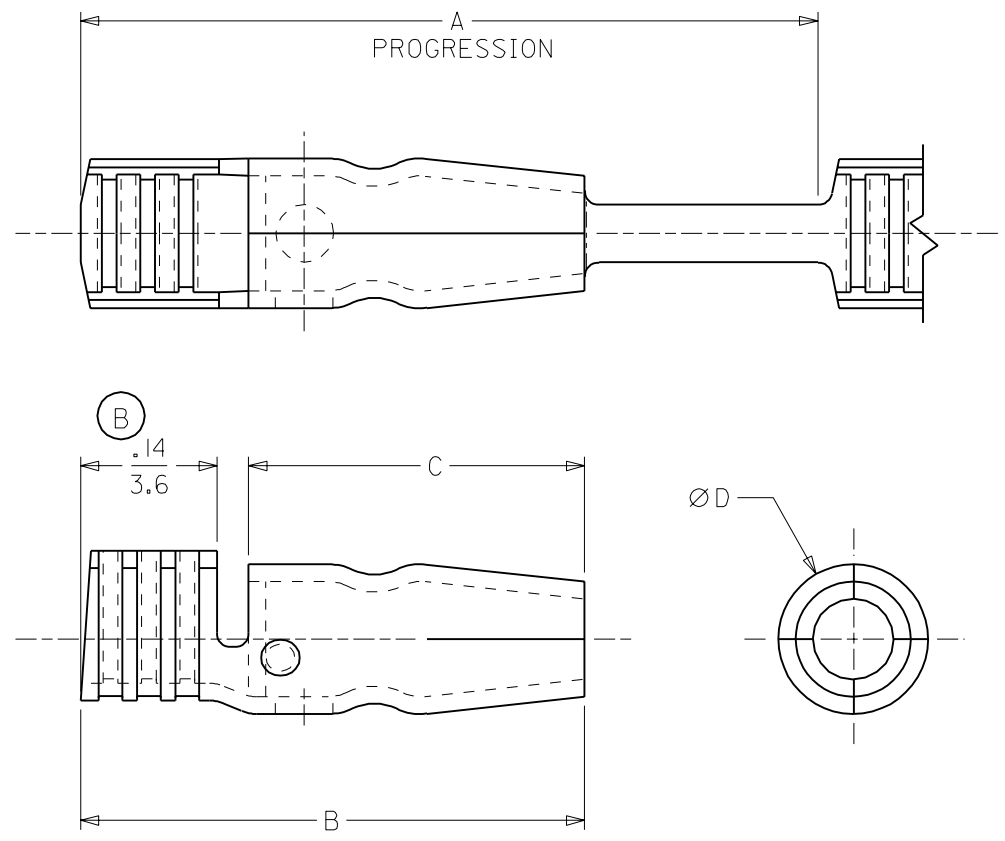
3

2

SD-19724-001

MATERIAL NUMBER	ENG. NUMBER	DESCRIPTION	FITS RECEPT. DIAMETER.	A	B	C	D
197244002	19724-4002	PLATED	.156/(3.96)	.76/(19.3)	.52/(13.3)	.35/(8.9)	.156/(3.96)
197244202	19724-4202	PLATED	.180/(4.57)	.83/(21.2)	.64/(16.4)	.44/(11.2)	.180/(4.57)
197244000	19724-4000	UNPLATED	.156/(3.96)	.76/(19.3)	.52/(13.3)	.35/(8.9)	.156/(3.96)
197244200	19724-4200	UNPLATED	.180/(4.57)	.83/(21.2)	.64/(16.4)	.44/(11.2)	.180/(4.57)

(B) (B) (B)



SALES DRAWING

**NOTE(S):**  
 1. MATERIAL: BRASS  
 2. MATERIAL THICKNESS: .016/(0.41)  
 3. PLATING: ELECTRO-TIN

ADDED UNPLT NO'S  
 EC NO. ETC2003-0162  
 DRWN: DLM 02/12/20  
 CHK: SB 02/12/20  
 APPR: RWD 02/12/20

QUALITY SYMBOLS	DESCRIPTION
MAJOR	▽ = 0
CRITICAL	∇ = 0

GENERAL TOLERANCES: (UNLESS SPECIFIED)	
mm	INCH
4 PLACES ±0.-----	±.-----
3 PLACES ±0.---	±.005
2 PLACES ±0.13	±.010
1 PLACE ±0.25	±.---
ANGULAR: ±1/2°	
DRAFT WHERE APPLICABLE MUST REMAIN WITHIN DIMENSIONS	

SCALE	DESIGN UNITS
5:1	<input type="checkbox"/> mm <input checked="" type="checkbox"/> INCH
DRAWN BY & DATE	
DLM 02/12/20	
CHECKED BY & DATE	
SB 02/12/20	
APPROVED BY & DATE	
RWD 02/12/20	
CAD FILENAME	
SD19724001.DGN	

DIMENSIONS:		SHT	REV
<input type="checkbox"/> mm	<input checked="" type="checkbox"/> INCH		
<input type="checkbox"/> INCH	<input type="checkbox"/> mm		
<input type="checkbox"/> ONLY			
THIRD ANGLE PROJECTION			
TITLE:			
KRIPTITE SNAP PLUG			
18-14 AWG, OPEN BARREL			
CHAIN STAMPED			
MATERIAL NO.		DRAWING NO.	SHEET NO.
(SEE CHART)		SD-19724-001	1 OF 1
THIS DRAWING CONTAINS INFORMATION THAT IS PROPRIETARY TO MOLEX INCORPORATED AND SHOULD NOT BE USED WITHOUT WRITTEN PERMISSION.			SIZE A

5

4

3

2

1