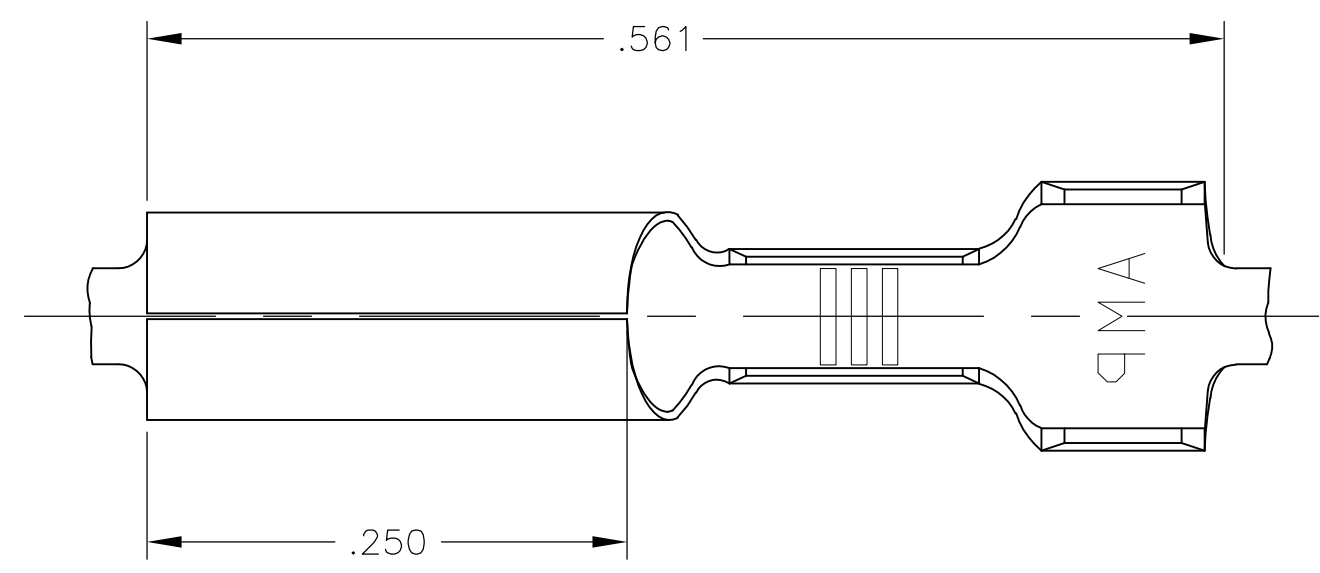
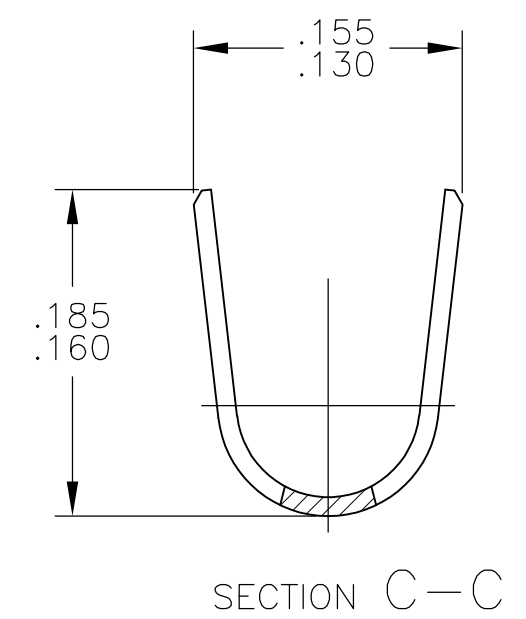
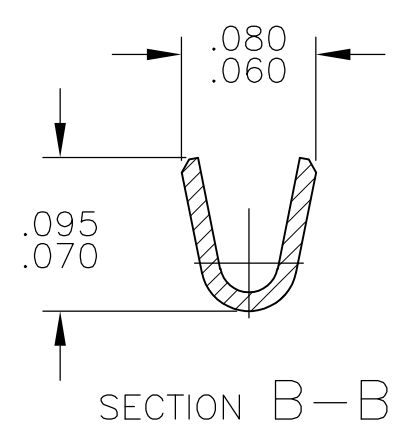
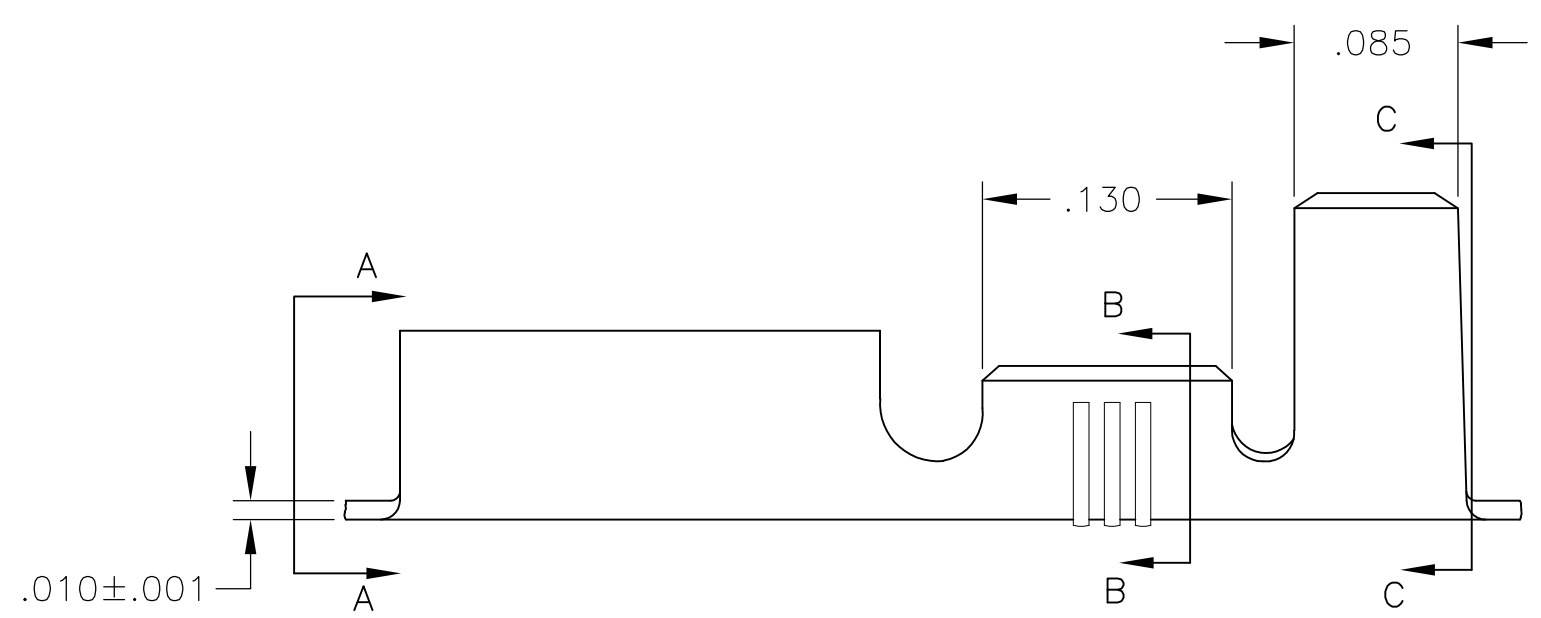
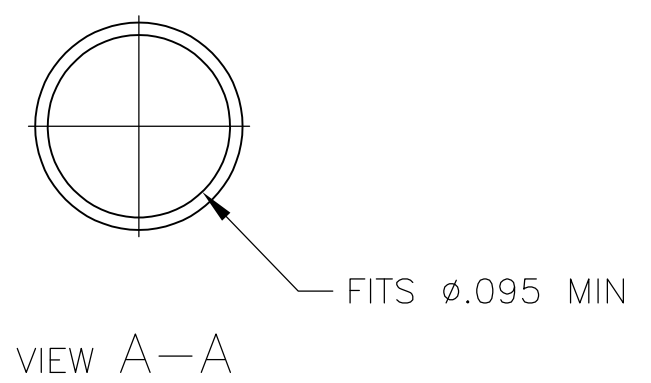


THIS DRAWING IS UNPUBLISHED. RELEASED FOR PUBLICATION
 © COPYRIGHT BY TYCO ELECTRONICS CORPORATION. ALL INTERNATIONAL RIGHTS RESERVED.

LOC	DIST	REVISIONS			
P	LTR	DESCRIPTION	DATE	DWN	APVD
AF	50	B1	REDRAWN PER ECR-08-032847	09FEB09	HMR JR



- 1 MAX. OUT OF ROUND CONDITION TO BE .008 T.I.R
- 2 WIRE RANGE: #24 - #20
INSULATION RANGE: .090 - .130



OBSOLETE	TIN	60469-2
	NONE	60469-1
	FINISH	PART NO.

THIS DRAWING IS A CONTROLLED DOCUMENT.		DWN RAGHAVENDRA 09FEB09	Tyco Electronics Corporation Harrisburg, PA 17105-3608		
DIMENSIONS: INCHES 		CHK JEFF RUTH 09FEB09			
TOLERANCES UNLESS OTHERWISE SPECIFIED: 0 PLC ± - 1 PLC ± - 2 PLC ± - 3 PLC ± .015 4 PLC ± - ANGLES ± 1° 0'		APVD DON DECKER 09FEB09	NAME		
MATERIAL BRASS		FINISH SEE TABLE	PIN RECEPTACLE		
		PRODUCT SPEC -	SIZE A3	CAGE CODE 00779	
		APPLICATION SPEC -	DRAWING NO C-60469	RESTRICTED TO -	
		WEIGHT -	SCALE 10:1 SHEET 1 OF 1 REV B1		
		CUSTOMER DRAWING			