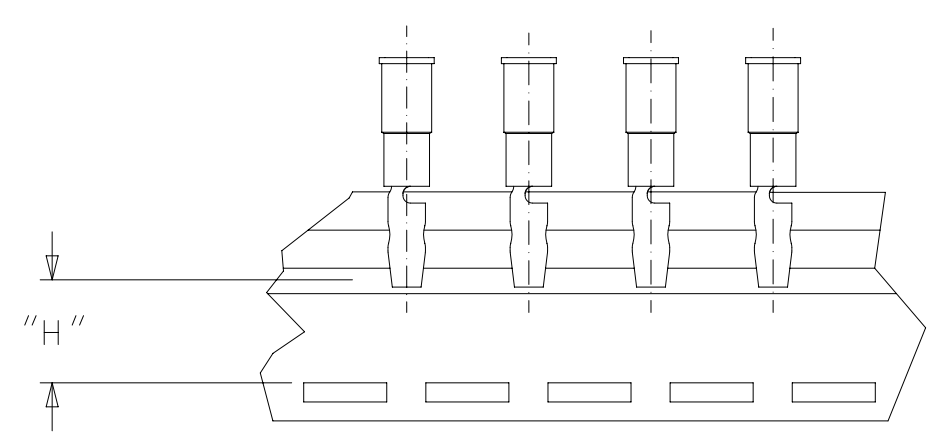
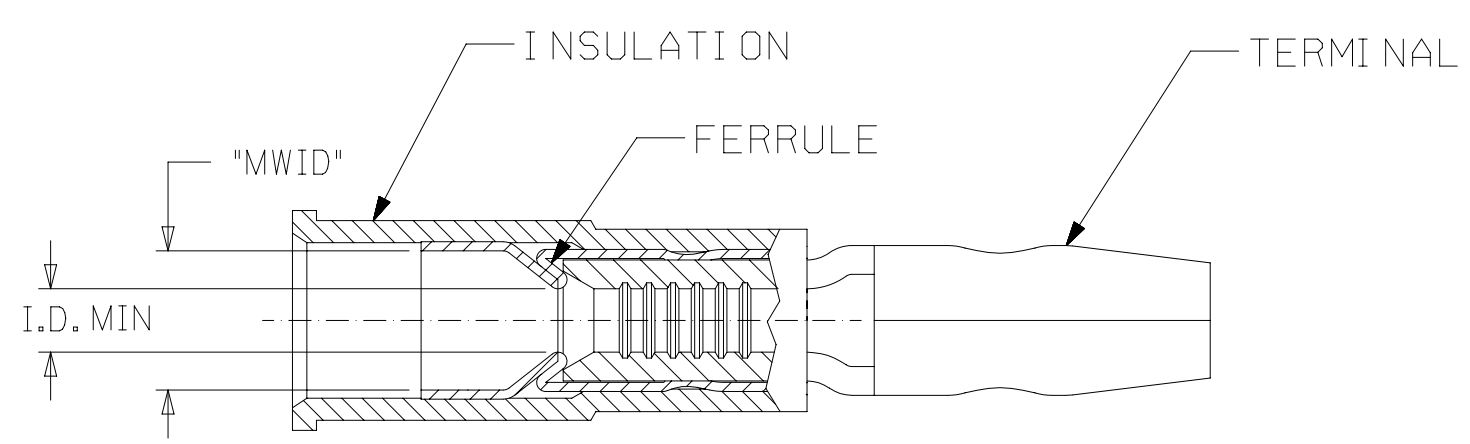
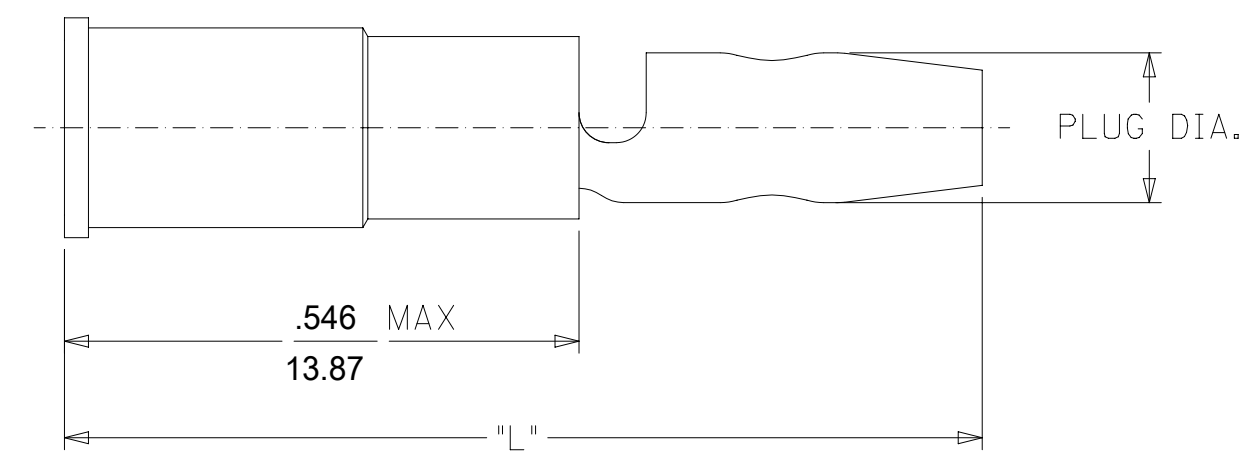


10		9		8		7	6	5	4	3	2	1
LOOSE PIECE		TAPE MOUNTED		WIRE RANGE AWG	INSULATION COLOR	I.D. MIN.	PLUG DIA.	MAX "L"	"MWID"	"H" ±.010/0.25		
MATERIAL NO.	ENG. NO.	MATERIAL NO.	ENG. NO.									
190350001	A-559	190350002	A-559T	18-22	RED	.056/1.42	.180/4.57	<b>1.046/26.57</b>	.140/3.56	.495/12.57		
190350003	A-569	190350004	A-569T	18-22	RED	.056/1.42	.156/3.96	<b>.991/25.17</b> (C1)	.140/3.56	.555/14.10		
190350005	B-579	190350008	B-579T	14-16	BLUE	.084/2.13	.180/4.57	<b>1.046/26.57</b>	.170/4.32	.495/12.57		
190350009	B-589	190350012	B-589T	14-16	BLUE	.084/2.13	.156/3.96	<b>.991/25.17</b> (C1)	.170/4.32	.555/14.10		



TAPE MOUNTING DETAIL



- NOTE(S):
1. TERMINAL: MATERIAL COPPER .032 (0.81)THK MAX  
FINISH: ELECTRO-TIN  
FERRULE: MATERIAL BRASS  
FINISH: ELECTRO-TIN  
INSULATION: NYLON
  2. MWID = MAXIMUM WIRE INSULATION DIAMETER.
  3. ASSEMBLY IS RoHS COMPLIANT.

THIS DRAWING CONTAINS INFORMATION THAT IS PROPRIETARY TO MOLEX ELECTRONIC TECHNOLOGIES, LLC AND SHOULD NOT BE USED WITHOUT WRITTEN PERMISSION												
FUNCTIONAL SYMBOLS	DIMENSION UNITS	SCALE	CURRENT REV DESC: MIGRATE TO NX & MAX DIM "L" .991 WAS .986									
	INCH/MM	1:1	<b>molex</b> MALE BULLET SNAP PLUG, MOLDED, AVIKRIMP PRODUCT CUSTOMER DRAWING									
GENERAL TOLERANCES (UNLESS SPECIFIED)		EC NO: 642291										DRWN: DMYRICK
DIVISIONAL SYMBOLS	4 PLACES ±		MM		INCH		APPR: JMACNEIL		2020/07/28		INITIAL REVISION:	
	3 PLACES ±		± 0.005				DRWN:				DOCUMENT NUMBER	
	2 PLACES ±		± 0.13		± 0.01		APPR:				SD-19035-001	
	1 PLACE ±		± 0.25		±						DOC TYPE   DOC PART   REVISION	
0 PLACES ±		±		±						PSD   001   C1		
ANGULAR TOL ± 0.5°										MATERIAL NUMBER		
DRAFT WHERE APPLICABLE MUST REMAIN WITHIN DIMENSIONS		THIRD ANGLE PROJECTION		DRAWING		SERIES		CUSTOMER		SHEET NUMBER		
		B-SIZE		19035		SEE CHART		GENERAL MARKET		1 OF 1		