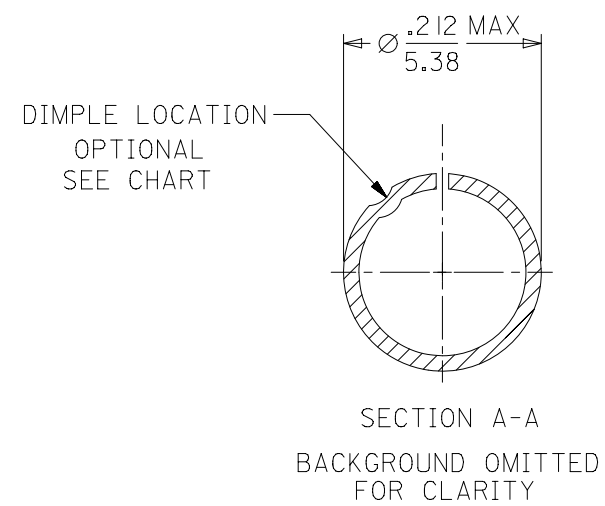
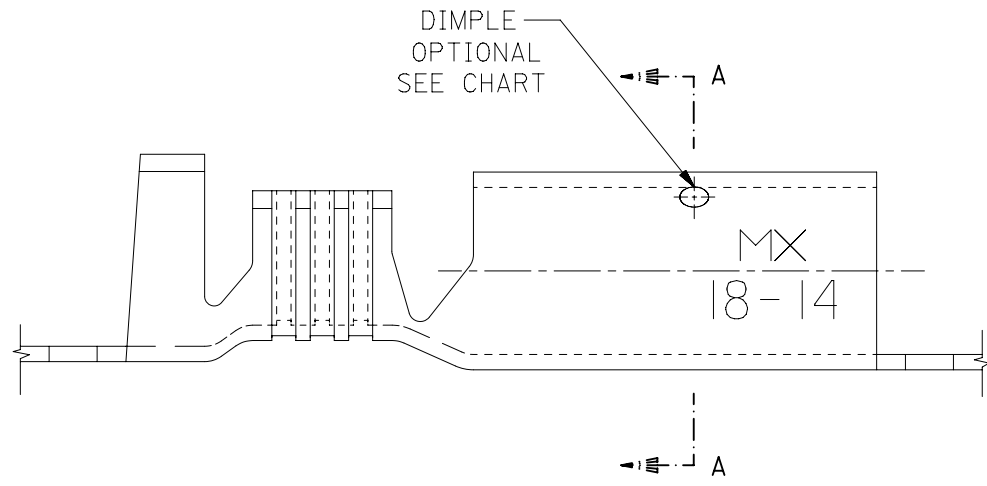
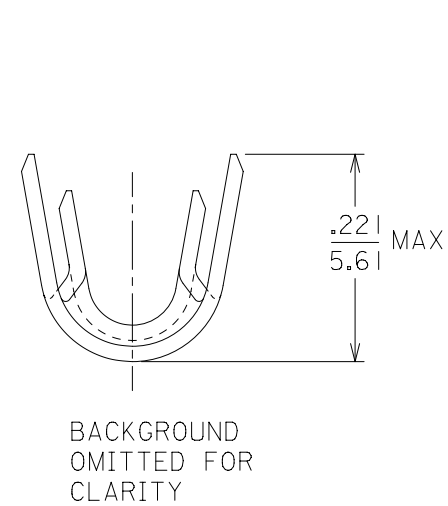
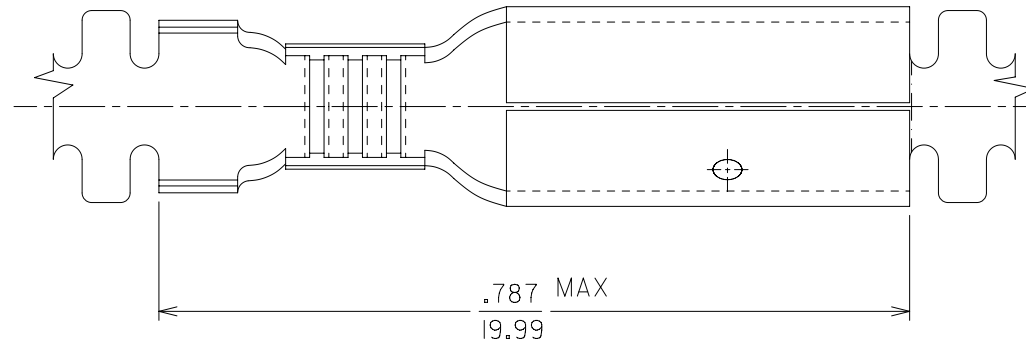


MATERIAL NO.	ENG NUMBER	DESCRIPTION	FINISH
197234402	19723-4402	CONTINUOUS STRIP WITH DIMPLE	ELECTRO-TIN
197234403	19723-4403	CONTINUOUS STRIP WITHOUT DIMPLE	



SALES DRAWING

- NOTES:
- MATERIAL: BRASS
 - FINISH: SEE CHART
 - PACKING QTY. 6000 PER REEL.

THIS DRAWING CONTAINS INFORMATION THAT IS PROPRIETARY TO MOLEX ELECTRONIC TECHNOLOGIES, LLC AND SHOULD NOT BE USED WITHOUT WRITTEN PERMISSION									
DIMENSION UNITS IN/MM		SCALE 5:1		CURRENT REV DESC: OBSOLETE PART NO					
GENERAL TOLERANCES (UNLESS SPECIFIED)				EC NO: 628886		2019/10/10		molex	
				DRWN: VLOKESHA		2020/01/13			
				CHK'D: GGA		2020/01/13		AVIKRIMP FEMALE	
				APPR: GGA		2020/01/13		BULLET RECEPTACLE 18 - 14 AWG CHAIN STAMPED	
				INITIAL REVISION:				PRODUCT CUSTOMER DRAWING	
				DRWN: BRE		2002/06/28		DOCUMENT NUMBER	
				APPR: RWD		2002/06/28		SD-19723-440	
				THIRD ANGLE PROJECTION		DRAWING		DOC TYPE DOC PART REVISION	
				DRAFT WHERE APPLICABLE MUST REMAIN WITHIN DIMENSIONS		B-SIZE		PSD 001 A1	
				SERIES		MATERIAL NUMBER		CUSTOMER	
				19723		SEE TABLE		GENERAL MARKET	
								SHEET NUMBER	
								1 OF 1	