

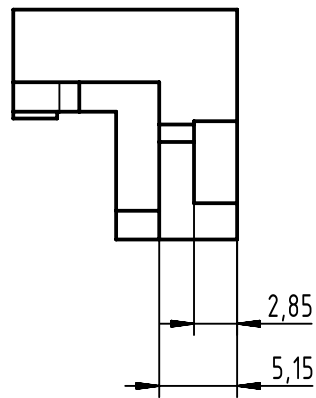
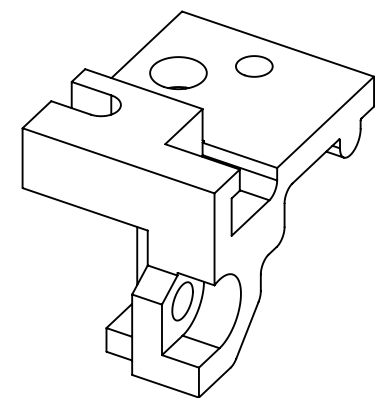
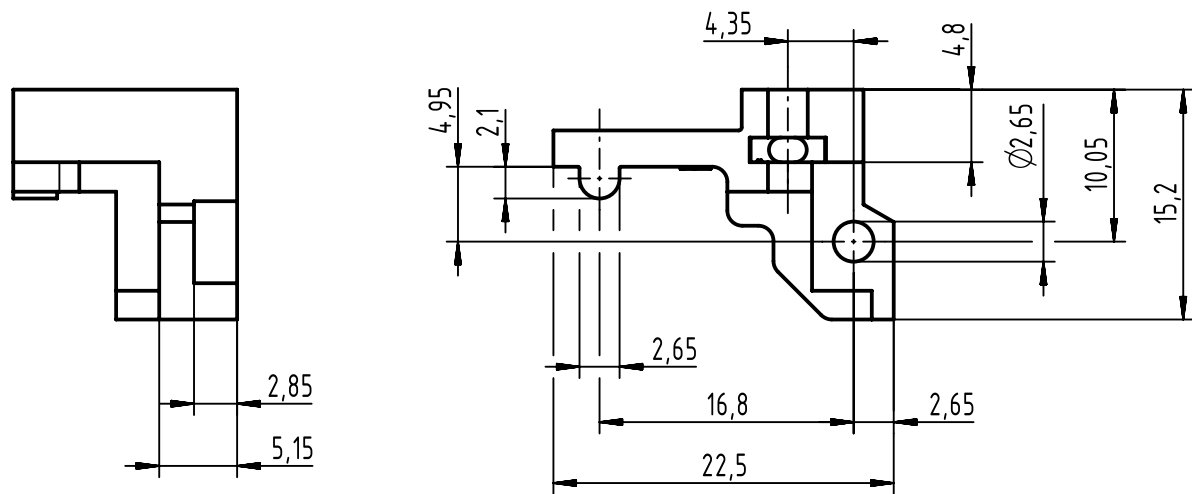
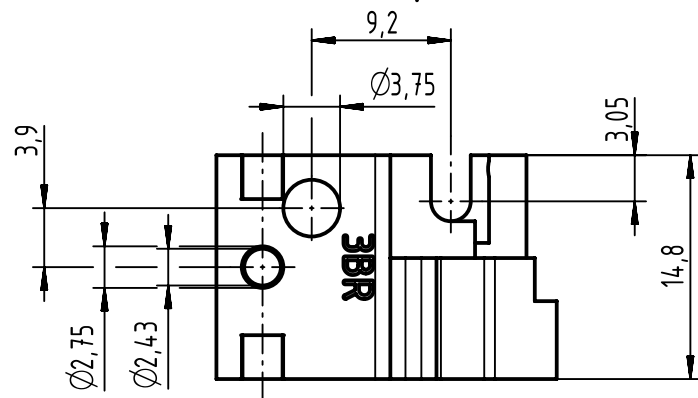
1 2 3 4 5 6


A

B

C

D



	All rights reserved Department EC PD - DE	All Dimensions in mm Original Size DIN A4			Scale 2:1	Free size tol.	Ref.	
		HARTING Electronics GmbH D-32339 Espelkamp	Created by KAHLERK	Inspected by ZWAHR	Standardisation HOFFMANN	Date 2017-03-17	State Final Release	Sub.
Title fixing bracket BR 15mm metallised							Doc-Key / ECM-Nr. 100106601/UGD/009/C 500000116938	
Type TB					Number 09069009910		Rev. C	Page 1/1