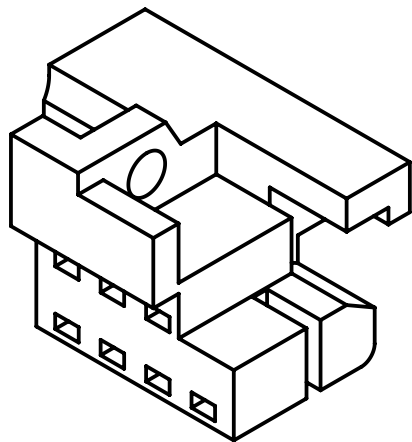



square end nut M2,5
pressed-in



	All rights reserved Department EC PD - DE	All Dimensions in mm Original Size DIN A4		Scale 5:1	Free size tol.	Ref. Sub. TB 09 06 900 9997 Mod. 32647 12.07.2005	
		Created by HAGEMEYERE	Inspected by TADJE	Standardisation HOFFMANN	Date 2014-04-30	State Final Release	
HARTING Electronics GmbH D-32339 Espelkamp		Title DIN Power fixing bracket BL20 with coding metallised				Doc-Key / ECM-Nr. 100072732/UGD/008/B 500000070427	
		Type TB	Number 09069009997			Rev. B	Page 1/1