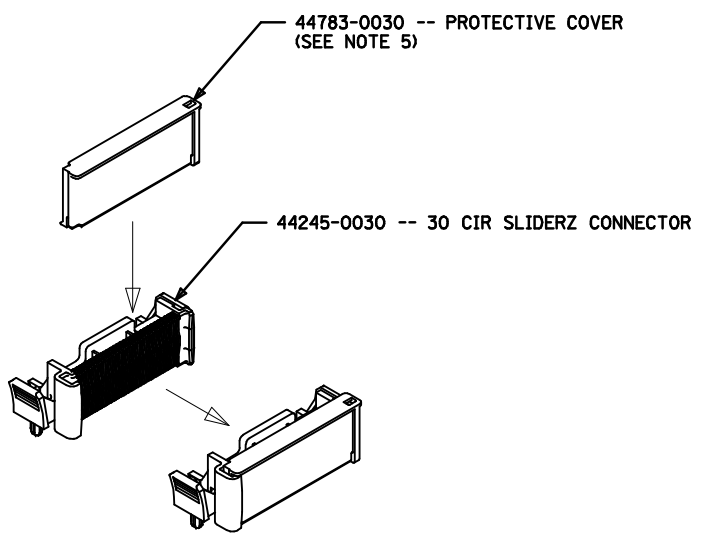
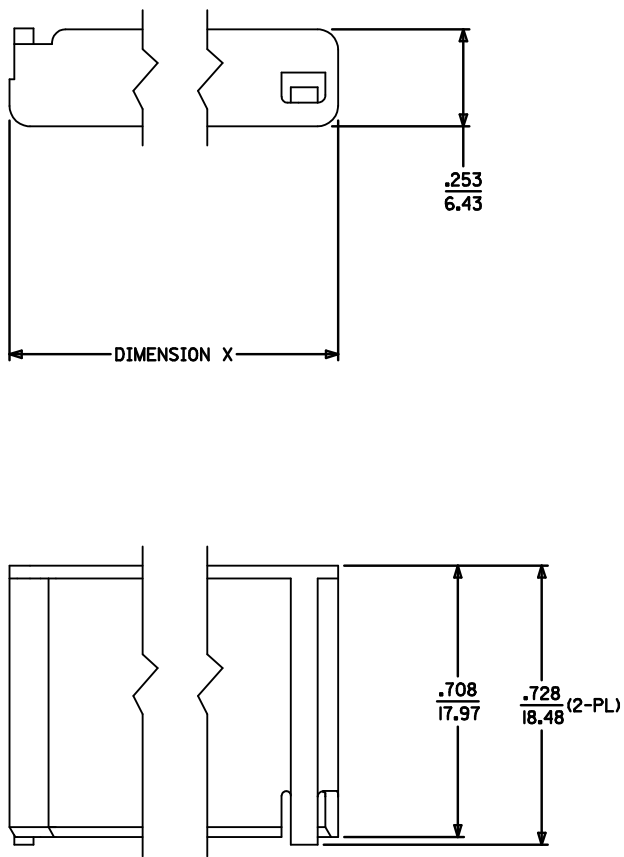


NOTES:

1. MATERIAL: 66 NYLON, COLOR = BLACK.
2. FINISH: NOT APPLICABLE.
3. PRODUCT SPECIFICATION: NOT APPLICABLE.
4. DIMENSIONS AND FEATURES PLACED ACROSS A CENTERLINE TO BE SYMMETRIC ABOUT THAT CENTERLINE TO WITHIN .004"/0.10mm TOTAL.
5. THE PROTECTIVE COVER IS CAREFULLY PUSHED ONTO THE SLIDERZ CONNECTOR UNTIL THE LATCHING MEMBERS ENGAGE, WHICH IS SIGNALLED BY A "SNAP".

STATUS	MATERIAL NUMBER	DIMENSION X	DESCRIPTION
AVAILABLE	447830010	.856"/21.74mm	PROTECTIVE COVER FOR THE 10 CIRCUIT SLIDERZ
OBSOLETE	447830020	1.356"/34.44mm	PROTECTIVE COVER FOR THE 20 CIRCUIT SLIDERZ
OBSOLETE	447830030	1.856"/47.14mm	PROTECTIVE COVER FOR THE 30 CIRCUIT SLIDERZ
OBSOLETE	447830040	2.356"/59.84mm	PROTECTIVE COVER FOR THE 40 CIRCUIT SLIDERZ
OBSOLETE	447830050	2.856"/72.54mm	PROTECTIVE COVER FOR THE 50 CIRCUIT SLIDERZ
OBSOLETE	447830060	3.356"/85.24mm	PROTECTIVE COVER FOR THE 60 CIRCUIT SLIDERZ



ISOMETRIC PROJECTION OF 44783 AND ITS APPLICATION
(NO SCALE)

REMOVE 20-60CKT EC NO: UCP2016-0581 DRWN: JNONT 2015/08/06 CHKD: BANDERSON 2015/08/06 APPR: FSMITH 2015/08/13	QUALITY SYMBOLS	GENERAL TOLERANCES (UNLESS SPECIFIED)	DIMENSION STYLE	SCALE	DESIGN UNITS	THIRD ANGLE PROJECTION
	▽=0	mm INCH	IN/MM	4:1	INCH	
	▽=0	4 PLACES ± --- ± ---	DRAWN BY DATE	PROTECTIVE COVER FOR SLIDERZ		
	▽=0	3 PLACES ± --- ± .010	PELOZA 2000/08/16	molex		
	▽=0	2 PLACES ± 0.25 ± .015	CHECKED BY DATE	SD-44783-001		
REV	DESCRIPTION	1 PLACE ± 0.38 ± ---	PELOZA 2000/08/16	SHEET NO. 1 OF 1		
		0 PLACE ± ±	APPROVED BY DATE	THIS DRAWING CONTAINS INFORMATION THAT IS PROPRIETARY TO MOLEX INCORPORATED AND SHOULD NOT BE USED WITHOUT WRITTEN PERMISSION		
		ANGULAR ± 1 °	MATERIAL NO. SEE CHART	DOCUMENT NO. SD-44783-001		
		DRAFT WHERE APPLICABLE MUST REMAIN WITHIN DIMENSIONS	SIZE			