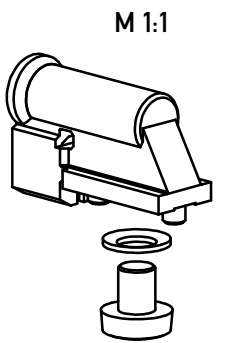
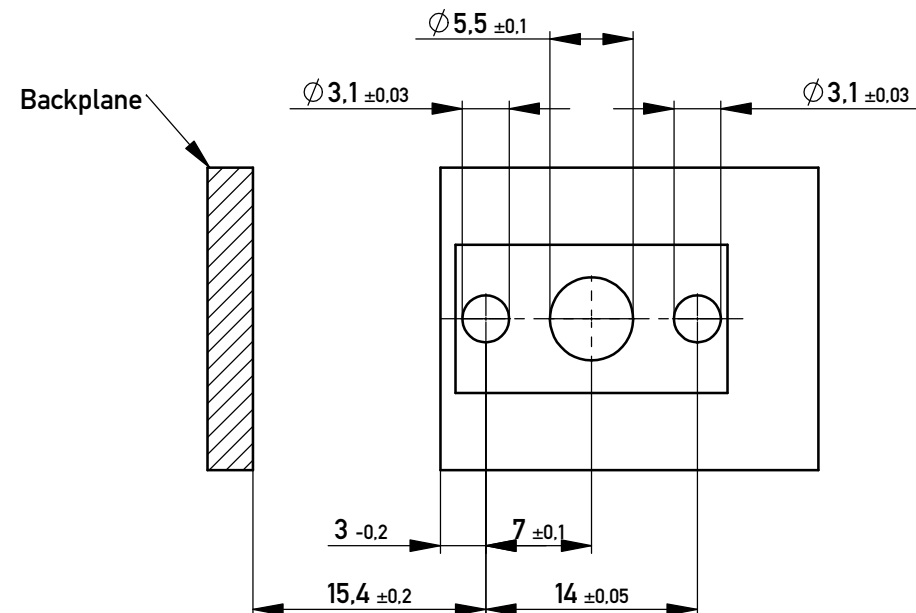


Layout der Tochterkarte - *Layout of daughtercard*



144128	8	2.0 - 4.5
144127	6	1.5 - 2.0
Ident.-Nr.:	Schraubenlänge L <i>length of screw</i>	Leiterplattenstärke T <i>thickness of pcb</i>
Information:	Tolerances	Scale 2:1
All rights reserved. Only for Information. To ensure that this is the latest version of this drawing, please contact one of the ERNI companies before using.	Subject to modification without prior notice. Drawing will not be updated.	Designation
		<b>Führungsteil</b> <i>Guiding System ERmet</i>
g	22.02.2016	www.ERNI.com
Index	Date	
		144126
		1
		A3
		Class ERMBGR

Copyright by ERNI Production GmbH & Co. KG  
Proprietary notice pursuant to ISO 16016 to be observed.