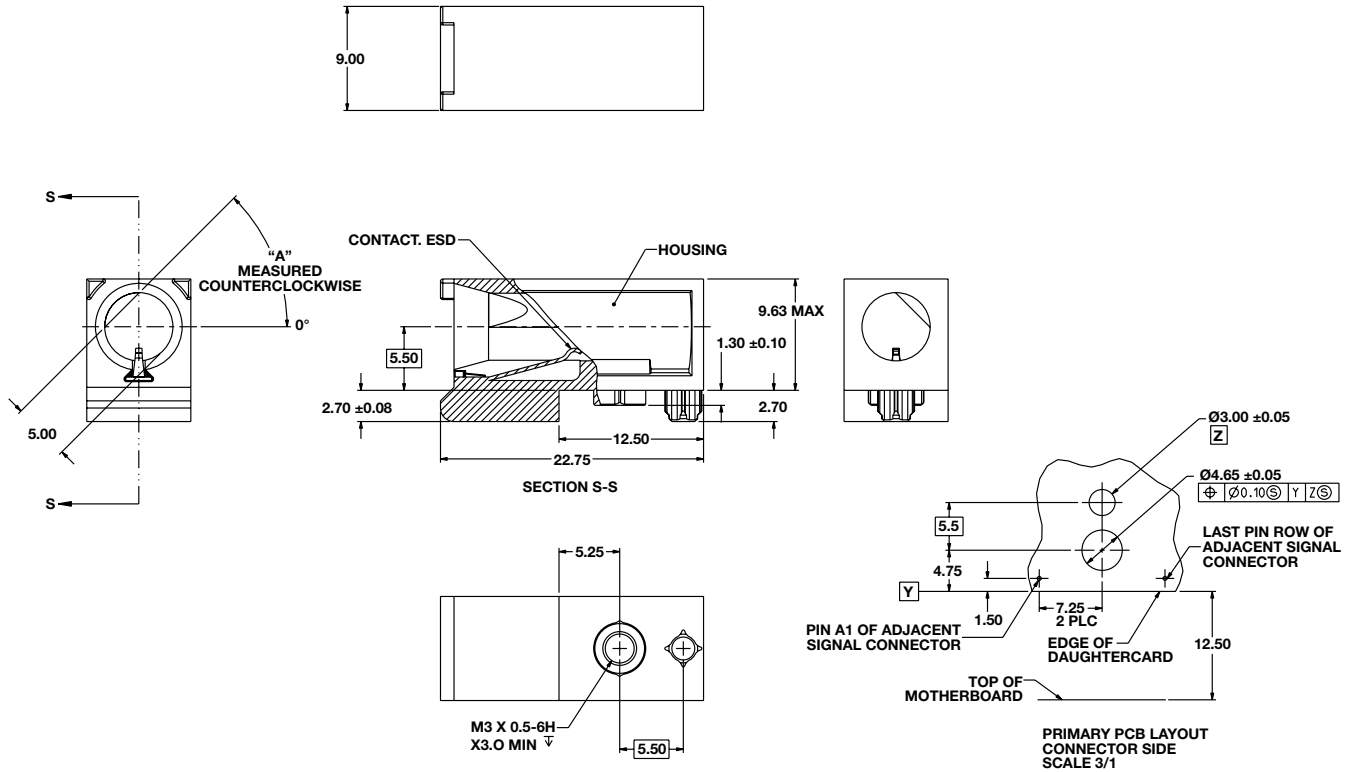


# HARDWARE: Zinc Die Cast Guide Modules



ZINC DIE CAST GUIDE MODULES	
Part Number	DIM. A
RVPX-HMD-1	0
RVPX-HMD-2	45
RVPX-HMD-3	90
RVPX-HMD-7	270
RVPX-HMD-8	315
RVPX-HMD-9	No Key